

AUX
AIR CONDITIONER

CATALOGUE
AIR CONDITIONING
2025



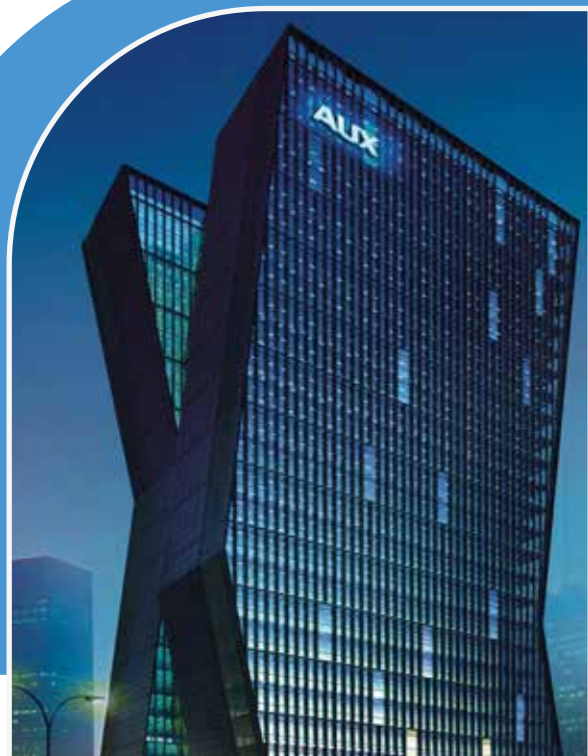


Table of contents

AUX - A new dimension of quality	4		
WIENKRA - Trusted business partner	12		
Range of units	14		
Functions of air conditioners	17		
Room air conditioners	23		
Overview of functions	24		
Descriptions of functions	30		
C-Pro Grey	46		
C-Smart Premium White	50		
C-Smart Premium Crystal	54		
C-Smart Premium Onyx	58		
C-Smart White	62		
Q-Smart Plus II	66		
Q-Smart Eco	70		
Q-Smart Premium Grey	74		
J-Smart	78		
J-Smart Art	82		
		Multi air conditioners	87
		Overview of functions	88
		Descriptions of functions	95
		Outdoor units	104
		Indoor units	108
		Freedom	108
		J-Smart	110
		J-Smart Art	112
		Q-Smart Premium	114
		Q-Smart Premium Grey	116
		C-Smart	114
		Floor-ceiling units	120
		Cassette units	122
		Ducted units	124
		Console units	126
		Commercial air conditioners	131
		Overview of functions	132
		Floor-ceiling units	136
		Cassette units	140
		Ducted units	144
		Console units	148
		Accessories and control	151
		Dimensional drawings	156

AUX

A new dimension of quality



The AUX Group, operating on the market since 1986, is one of the leading manufacturers of smart household appliances, primarily air conditioners. The group has 12 modern production bases – the largest in Ningbo, Nanchang, and Tianjin in China – as well as 6 research and development centres. AUX brand devices are available in over 100 countries worldwide.

Thanks to continuous investments in research and development, the AUX brand offers competitive, technologically advanced, and stylish products that meet the highest quality standards and European energy efficiency requirements.

38
YEARS
OF EXPERIENCE

30
THOUSANDS
OF EMPLOYEES

100
COUNTRIES
AND REGIONS

12
PRODUCTION
FACILITIES

86
BILLIONS
OF TURNOVER

6
RESEARCH AND
DEVELOPMENT
CENTRES

Caring for a better tomorrow

The AUX Group, as one of the leading manufacturers of advanced air conditioning systems and heat pumps, takes the issue of sustainability very seriously. One of the key pillars of sustainability is care for the natural environment. AUX's brand policy is based on the idea of rational use of natural resources, so that both current and future generations can enjoy prosperity. Teams of qualified engineers working at AUX's research centres

around the world are seeking energy-efficient, smart, and eco-friendly technological solutions that, when used in production processes, align with the concept of sustainable development and provide better and cleaner air.

Company profile

In 2023, the group achieved sales of 86 billion RMB, and its total assets amounted to 70.2 billion RMB. It employs over 30,000 people and has 12 production bases in Ningbo, Nanchang, Tianjin, Ma'anshan, Zhengzhou, Wuhu, Brazil, Indonesia, Thailand, and Poland, as well as 6 research and development centres.

During its development, AUX also ensures the fulfilment of its social responsibilities. In recent years, the company has donated a total of 309 million RMB to various public programs, such as targeted poverty reduction initiatives, education, emergency assistance, and environmental protection. AUX owns two globally recognized brands: AUX and Sanxing, with a combined value exceeding 51 billion RMB.



www.auxcool.com



[aux europe](#)



[aux europe](#)

Global leader in the HVACR industry



Room air conditioners

AUX room air conditioners include as many as 10 exceptional models of wall-mounted units. All units are characterized by refined styling and the most comprehensive range of features in their class.



Commercial air conditioners

AUX air conditioning systems are ideal for commercial establishments. Wall-mounted, cassette, ducted, and floor-ceiling units allow for the creation of a complete and discreet air conditioning system in any room.



Multi air conditioners

The AUX brand offers multi-split air conditioning solutions, which are becoming increasingly popular in Poland. Multi-split systems are perfect for homes, apartments, shops, small hotels, and service establishments.



ARV systems

ARV7 is the latest-generation system from AUX. These highly advanced technological devices are the perfect solution for commercial, office, and hotel buildings, as well as residential buildings (ARV Mini).



Heat pumps

Air-to-water heat pumps are a new innovation that directly responds to the changing needs of the market. The AUX Group has designed intelligent and reliable devices that provide an energy-efficient, complete heating system for the home.

Awards and distinctions

AUX constantly introduces new patents and improves air conditioning devices, taking care of the environment and ecology. The new technologies, implemented based on the ever-growing demands of users, have been recognised internationally with numerous awards and distinctions in the air conditioning industry.

Every year, AUX wins over 20 international design awards, such as the IF Design Award, Red Dot Award, IDEA Award, and Good Design Award!



IF Design Award



EUROVENT Certificate



National Health Institution



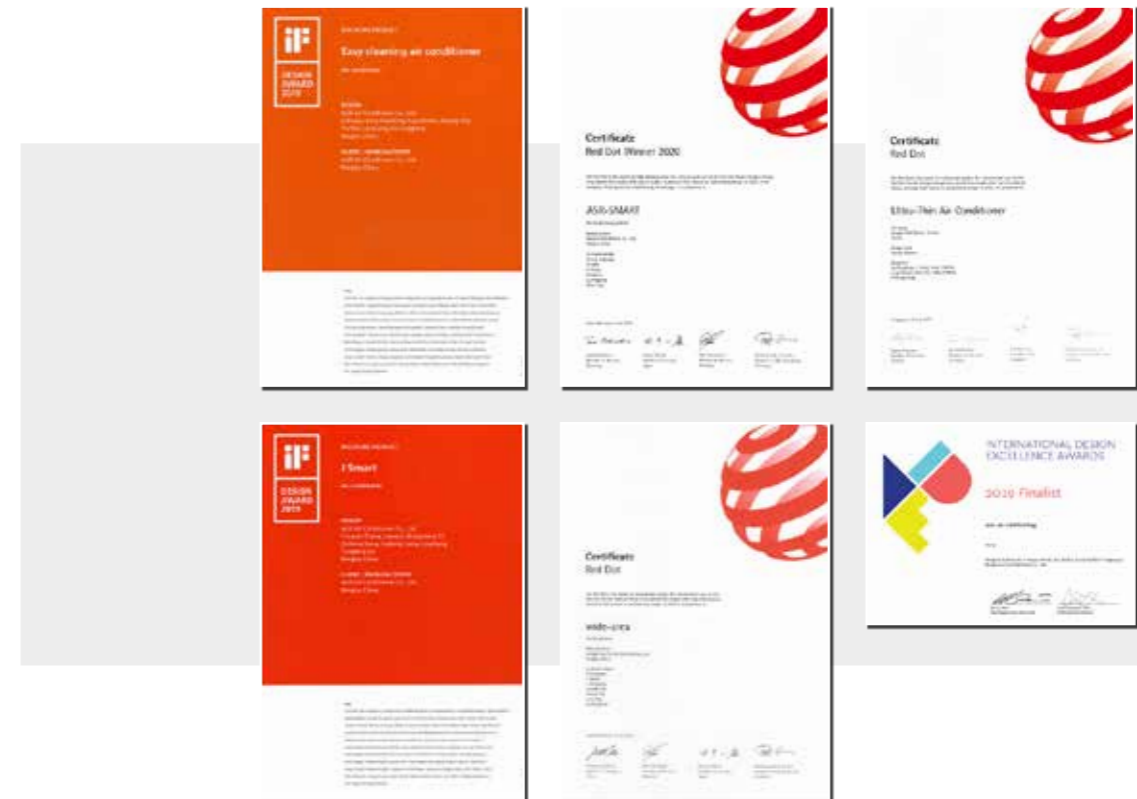
Red Dot



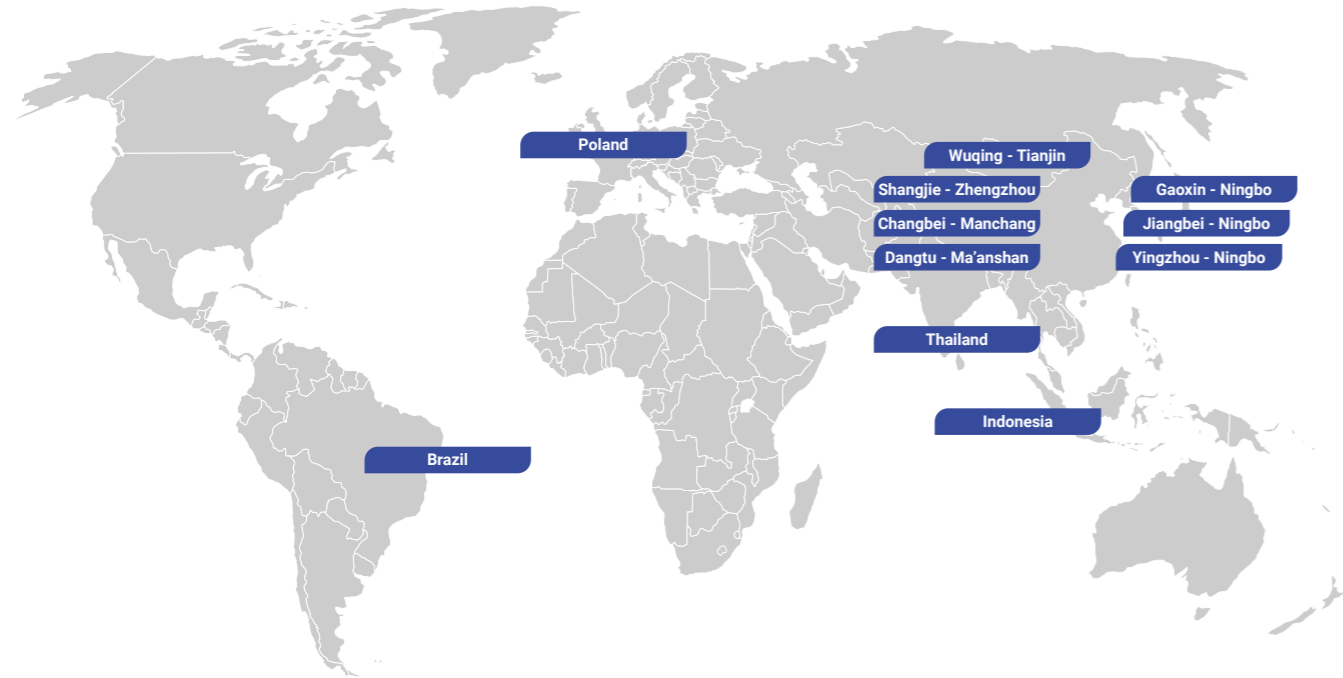
Idea



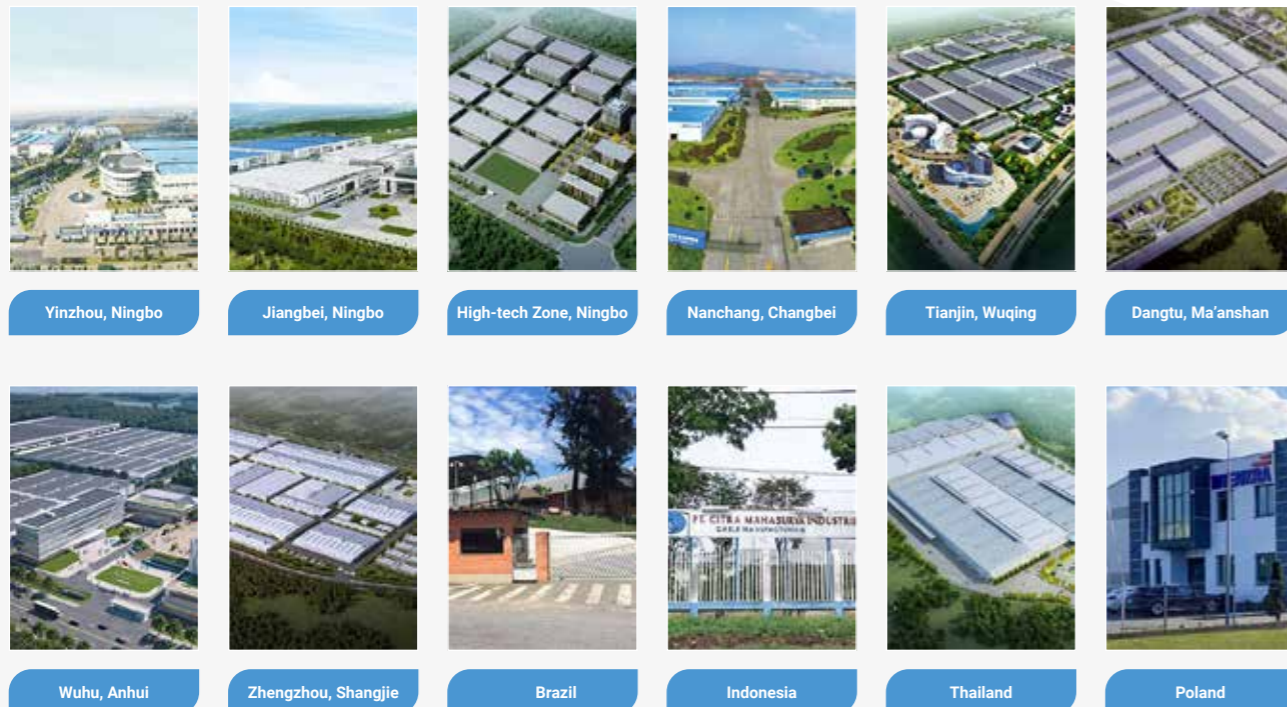
CMF



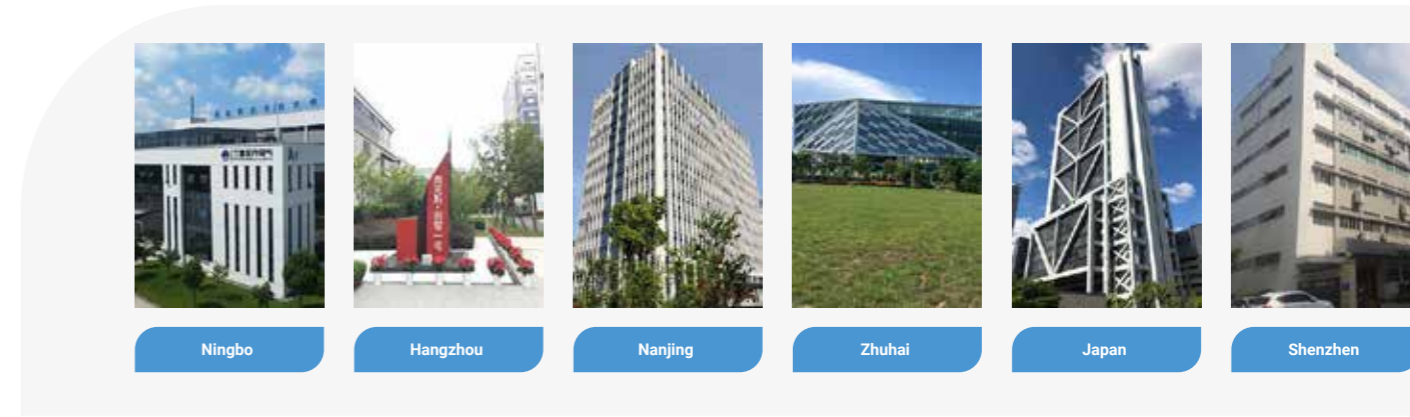
Production plants and research and development centres worldwide



12 production facilities worldwide



6 research and development centres worldwide



AUX brand history

1986 - 2009 THE BEGINNING AND DEVELOPMENT

2009 - 2024 TRANSFORMATIONS AND DEVELOPMENT PLANS

1986
Zheng Jianjiang establishes a company in the city of Longguan

1989
The founding of the Sanxing

1994
Entry into the air conditioning market and founding of AUX

2000
Entry into the real estate market in ten cities

2006
The opening of Mingzhou Hospital in Ningbo (the name was later changed to Mingzhou University Hospital)

2009
The founding of Huijin micro-credit company. Shares in two banks

2011
Sanxing Electric goes public on the Shanghai Stock Exchange (the name was later changed to Sanxing Medical)

2012
The first research and scientific centres in Hangzhou and Ningbo

2013
Establishment of a financial centre in Shanghai

2014
Establishment of a medical company

2015
Commencement of production in factories in Brazil and Indonesia

2016
Advancement to 3rd place in terms of air conditioner production scale

2017
Expansion into the home appliance and healthcare markets

2018
Production of smart devices in Thailand and Zhengzhou

2019
Direct online sales of air conditioners

2021
Investment in the energy industry in Poland

2022
Award for the partner and air conditioner supplier for the 19th Asian Games

2023
Expansion in the home appliance market in Malaysia, Thailand, and the United States

WIENKRA

Your trusted business partner

We have delivered over one million air conditioners to our clients, as we have been working continuously for nearly 35 years with global leaders in air conditioning manufacturing. That is why we are confident that we offer products and solutions of the highest quality, incorporating the latest technologies that meet high standards of energy efficiency, design, and ecology.

We are committed to improving living conditions and comfort, that's why we have in offer a full range of air conditioning devices and systems dedicated to individual customers, small businesses, and large institutional clients.



Post-warranty and warranty service



Technical design and consulting



Commissioning and start-up of units



Equipment deliveries



WIENKRA – exclusive distributor of the AUX brand in Poland!

Branches and warehouses of WIENKRA in Poland



KRAKÓW - Kotlarska 34 street



KRAKÓW - Rzemieślnicza 20 street



WARSZAWA - Sokołowska 15 street



WROCLAW - Armii Krajowej 61 avenue



KOKOTÓW - Main warehouse



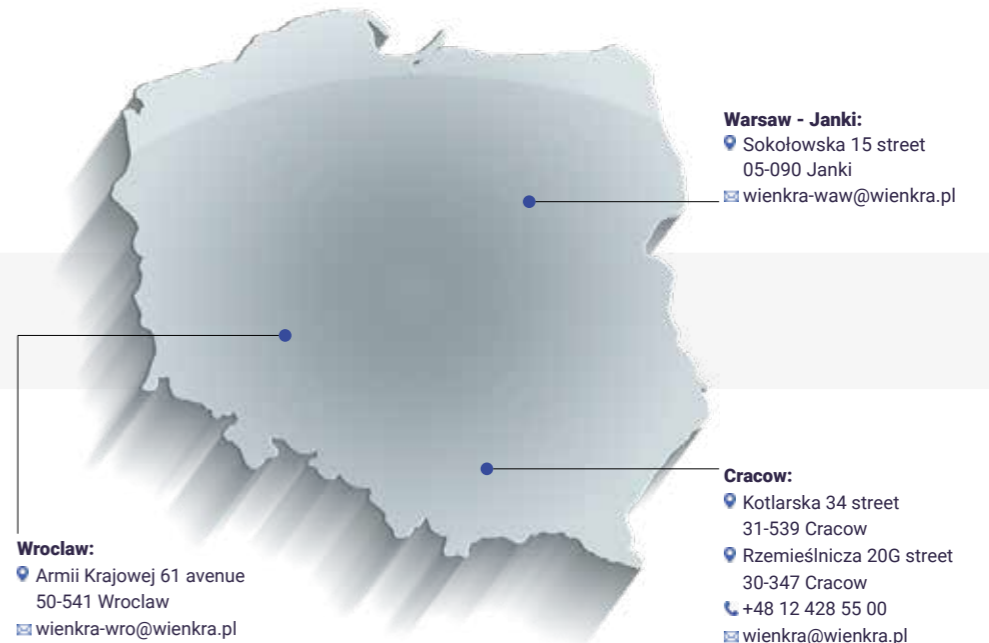
KRAKÓW - Rzemieślnicza 20G street



WARSZAWA - Sokołowska 15 street


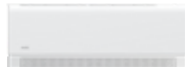
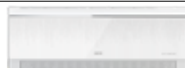

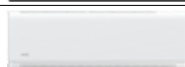


WROCLAW - Armii Krajowej 61 avenue






Room air conditioners



C-Smart Series

Model	Cooling capacity [kBtu/h]				Page in the catalogue
	9	12	18	24	
C-Smart Pro Grey CPRO Series 	AUX-09CPRO	AUX-12CPRO	-	-	46
C-Smart Premium White CA/C3A Series 	AUX-09CA	AUX-12CA	AUX-18C3A	AUX-24C3A	50
C-Smart Premium Crystal CCW Series 	AUX-09CCW	AUX-12CCW	AUX-18CCW	AUX-24CCW	54
C-Smart Premium Onyx CCB Series 	AUX-09CCB	AUX-12CCB	AUX-18CCB	AUX-24CCB	58
C-Smart White CAA Series 	AUX-09CAA	AUX-12CAA	AUX-18CAA AUX-18CA	AUX-24CAA AUX-24CA	62

Q-Smart Series

Model	Cooling capacity [kBtu/h]				Page in the catalogue
	9	12	18	24	
Q-Smart Plus II QC Series 	AUX-09Q2C	AUX-12QC	AUX-18Q2C	AUX-24QC	66
Q-Smart Eco QG Series 	AUX-09QG	AUX-12QG	AUX-18QG	AUX-24QG	70
Q-Smart Premium Grey QB Series 	AUX-09QB	AUX-12QB	AUX-18QB	AUX-24QB	74

J-Smart Series

Model	Cooling capacity [kBtu/h]				Page in the catalogue
	9	12	18	24	
J-Smart J20 Series 	AUX-09J20	AUX-12J20	AUX-18J20	AUX-24J20	78
J-Smart Art JP Series 	AUX-09JP	AUX-12JP	AUX-18JP	AUX-24JP	82







We reserve the right to errors in descriptions, appearance, functions, technical parameters, and dimensional drawings resulting from the continuous improvement of our devices.

Multi air conditioners






Wall-mounted units

Model	Cooling capacity [kBtu/h]					Page in the catalogue
	7	9	12	18	24	
Freedom FH Series 	AUX-07FH/I	AUX-09FH/I	AUX-12FH/I	AUX-18FH/I	AUX-24FH/I	108
J-Smart JO Series 	AUX-07JO/I	AUX-09JO/I	AUX-12JO/I	AUX-18JO/I	AUX-24JO/I	110
J-Smart Art JB Series 	AUX-07JB/I	AUX-09JB/I	AUX-12JB/I	AUX-18JB/I	AUX-24JB/I	112
Q-Smart Premium QP Series 	AUX-07QP/I	AUX-09QP/I	AUX-12QP/I	AUX-18QP/I	AUX-24QP/I	114
Q-Smart Premium Grey QB Series 	AUX-07QB/I	AUX-09QB/I	AUX-12QB/I	AUX-18QB/I	AUX-24QB/I	116
C-Smart CA Series 	AUX-07CA/I	AUX-09CA/I	AUX-12CA/I	AUX-18CA/I	AUX-24CA/I	118

Indoor units

Model	Cooling capacity [kBtu/h]						Page in the catalogue
	7	9	12	16	18	24	
Floor-ceiling F Series 	-	AUX-M-F09/I	AUX-M-F12/I	-	AUX-M-F18/I	-	120
Cassette C Series 	-	AUX-M-C09 AUX-C-09CAC	AUX-M-C12/I	-	AUX-M-C18/I	AUX-M-C24/I	122
Ducted D Series 	AUX-M-D07/I	AUX-M-D09/I	AUX-M-D12/I	-	AUX-M-D18/I	AUX-M-D24/I	124
Console units M Series 	-	AUX-M-K09	AUX-M-K12	AUX-M-K16	-	-	126




Outdoor units

Model	Cooling capacity [kBtu/h]							Page in the catalogue
	14	18	21	27	28	36	42	
Outdoor units 2 ports 	AUX-M2-14LCLH	AUX-M2-18LCLH	-	-	-	-	-	104
Outdoor units 3 ports 	-	-	AUX-M3-21LCLH	AUX-M3-27LCLH	-	-	-	104 / 105
Outdoor units 4 ports 	-	-	-	-	AUX-M4-28LCLH	-	-	105
Outdoor units 4 ports 	-	-	-	-	-	AUX-M4-36LCLH	-	105
Outdoor units 5 ports 	-	-	-	-	-	-	AUX-M5-42LCLH	105


We reserve the right to errors in descriptions, appearance, functions, technical parameters, and dimensional drawings resulting from the continuous improvement of our devices.

Commercial air conditioners

Indoor units

Model	Cooling capacity [kBtu/h]								Page in the catalogue	
	12	18	24	30	36	42	48	60		
Floor-ceiling CAF Series		-	AUX-C-18CAF	AUX-C-24CAF	-	AUX-C-36CAF	AUX-C-42CAF	AUX-C-48CAF	AUX-C-60CAF	136
Cassette CAC Series		AUX-C-12CAC	AUX-C-18CAC	AUX-C-24CAC	-	AUX-C-36CAC	AUX-C-42CAC	AUX-C-48CAC	AUX-C-60CAC	140
Ducted CAD Series		AUX-C-12CAD	AUX-C-18CAD	AUX-C-24CAD	AUX-C-30CAD	AUX-C-36CAD	AUX-C-42CAD	AUX-C-48CAD	AUX-C-60CAD	144

Console units

Model	Cooling capacity [kBtu/h]								Page in the catalogue	
	9	12	16	18	24	30	36	42		
Console units K Series		-	AUX-K12	AUX-K16	-	-	-	-	-	148



We reserve the right to errors in descriptions, appearance, functions, technical parameters, and dimensional drawings resulting from the continuous improvement of our devices.

Functions of air conditioners

HEALTH



UV Sterilisation

Stops virus growth by 99% through effective disinfection. The C-Smart, Q-Smart, and J-Smart series models are equipped with UV lamps that ensure clean and healthy air. UV sterilisation effectively purifies the air by eliminating viruses, fungi, and micro-organisms. This function is especially recommended for allergy sufferers and those prone to infections.



Antibacterial filter

The antibacterial filter has a sterilizing effect on all types of bacteria. Dust and airborne micro-organisms are trapped on the filter's antibacterial surface. Thanks to its bactericidal substances, their growth is effectively inhibited.



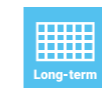
PM 2.5 filter

The PM2.5 filter captures fine airborne particles (PM10, PM2.5), which are the main components of smog and among the most harmful air pollutants to human health. The filter removes 99.9% of these pollutants, ensuring clean and healthy air in the air-conditioned room.



Anti-mould mode

After operation and shut-down, the air conditioner automatically starts drying the moisture accumulated on the indoor unit's evaporator, preventing mould growth inside the device.



Durable air filter

The indoor unit's air filter can be easily removed and cleaned. It is resistant to multiple cleanings, significantly extending its lifespan.



57°C Sterilisation

The heat exchanger maintains a high temperature of 57 degrees and keeps it for a certain period to ensure the best sterilization effect.



Cold Plasma Ionizer

The indoor unit of the air conditioner is equipped as standard with a Cold Plasma ionizer, which effectively eliminates unpleasant odour and harmful substances from the air in the room. The ionizer releases ions into the air passing through the air conditioner, which neutralize the dangerous particles present.



Self-cleaning mode

Thanks to the comprehensive self-cleaning function, the interior of the air conditioner is kept clean by eliminating moisture and inhibiting the growth of bacteria, mould, and unpleasant odours on the heat exchanger. This guarantees the user a clean and safe environment.



High-density filter

The air conditioner is equipped with a high-density filter, which is significantly more effective in trapping airborne pollutants, including dust and particles.



Additional air filters

It is possible to equip the air conditioner with an additional filtration system that thoroughly purifies the air in the room and improves its quality: silver ion filter, activated carbon filter, enzymatic filter, PM2.5 filter, antibacterial filter, and a vitamin C filter



Washable air filter

The indoor unit's air filter can be easily removed and cleaned under running water, ensuring high device efficiency and air quality.



Filter contamination indicator

The indoor unit display shows a notification when the filters need to be cleaned, helping to maintain fresh and healthy air in the room.



Honeycomb structure filter

The honeycomb structure air filter effectively traps airborne pollutants such as dust and particles.



In-built humidity sensor

C-Pro Series air conditioners are equipped with a precise hygrometer for intelligent humidity detection in the room. When humidity is too high, the compressor's operating frequency decreases to prevent condensation. When humidity is normal, the compressor's operating frequency automatically increases to maintain the room's temperature balance.

ECOLOGY

R32 Refrigerant

The device operates using the latest environmentally friendly refrigerant R32, which offers higher efficiency and a lower global warming potential compared to R410A. It also does not contribute to the depletion of the ozone layer.

ECO mode

When the energy-saving function is enabled, the air conditioner operates with reduced electricity consumption, helping to minimize power costs.

CONVENIENCE

Auto-diagnosis mode

The device monitors malfunctioning and shuts down in case of a fault. An error code appears on the indoor unit display (or on the wired controller) indicating the type of malfunction, which greatly facilitates servicing tasks.

LED display

The modern LED display located on the front panel of the indoor unit allows for clear indication of the device's current status and operating functions. When the air conditioner is off, the display is invisible.

In-built Wi-Fi module

The in-built Wi-Fi module allows you to control the air conditioner's operation from a smart phone, tablet, or computer connected to the internet, from anywhere in the world.

Central wired controller

The central wired controller allows you to control the entire air conditioning system – it enables the management of multiple indoor units.

Heating at -30°C*

The heating function at -30°C allows the use of C-Smart Premium series air conditioners during the winter at low temperatures.

* -25°C - C-Pro, C-Smart White, -22°C - J-Smart, J-Smart Art, -20°C - Q-Smart Plus II, -15°C - Q-Smart Eco

Stand-by mode 0,3W

In stand-by mode, the air conditioner reduces electricity consumption to as low as 0.3 W per hour, thanks to a specially designed PCB and the disconnection of power from unused components.

24H timer

The timer function allows the user to set the exact time for the air conditioner to automatically turn on and off.

Dual-side condensate drainage

The piping for the refrigerant supply and condensate drainage can be connected from either the left or right side of the indoor unit, making it much easier to adjust the installation location to the room layout.

Wireless controller

The wireless remote control allows for remote operation of the air conditioner, including turning the unit on and off, selecting settings and functions such as operating mode, airflow temperature, fan speed, and airflow direction.

Wired controller

The wired controller is installed on the wall in the room where the air conditioner is located.

COMFORT

4D Airflow

The air louvers of the indoor unit move automatically in both vertical and horizontal planes, allowing the conditioned air to be distributed in all directions (simultaneous vertical and horizontal swing).

Horizontal movement of the air louvers

Thanks to the movement of the air louvers in the horizontal plane - to the right and left - the airflow can reach every corner of the room, even large spaces. The louvers can be set to several fixed positions or to the "horizontal swing" mode, which ensures continuous right-to-left movement.

Turbo mode

The TURBO function allows the room to be cooled or heated in a very short time by maximizing the internal unit fan speed (using the highest fan setting).

Fast cooling / heating

Thanks to the use of inverter technology, the air conditioning system can reach full efficiency in a short time after starting, ensuring the desired temperature in the room is quickly achieved.

Fan mode

In this mode, air circulation is forced in the room without changing its temperature – the air is blown without cooling or heating.

Night mode

When the sleep function is activated, the unit raises the set temperature by 1°C per hour during the first two hours of cooling mode (or lowers the temperature at the same rate in heating mode). For the next 5 hours, the unit maintains the achieved temperature at a constant level, after which the air conditioner switches off. This ensures maximum comfort for the user during sleep and reduces energy consumption.

Easy and quick installation

The air conditioner's design includes features that allow for the installation to be as quick and simple as possible.

Cooling mode

In cooling mode, the air conditioner lowers and maintains the room temperature at the level set by the user.

Vertical movement of the air louvers

Thanks to the movement of the air louvers in the vertical plane - up and down - the airflow is evenly distributed across the entire height of the room. The louvers can be set to several fixed positions or the "vertical swing" mode can be selected, providing continuous up-down movement.

Anti-Cold-Air mode

When starting in heating mode, the indoor unit's fan operates at the lowest speed to avoid blowing cold air. The airflow speed is automatically increased as the evaporator temperature rises, until it reaches the set level.

I FEEL mode

The "I FEEL" smart temperature reading function allows for precise adjustment of the airflow temperature based on the current conditions in the room, providing maximum comfort while minimising energy consumption.

Heating mode

The heating mode allows the air conditioner to be used year-round, even during cooler months. With the heat pump, the device can heat the air in the room, serving as an alternative to traditional heating systems.

8°C heating mode

This function allows the maintenance of a constant temperature of +8°C in heating mode during the winter, preventing the room from getting too cold.

Dehumidification mode

In dehumidification mode, the air conditioner lowers the humidity level in the room to an optimal value by automatically adjusting the temperature and airflow to achieve the best conditions for drying. This helps prevent the growth of various airborne contaminants (moulds, fungi, bacteria) and provides a greater sense of comfort.

Quiet operation mode

In quiet operation mode, the indoor unit of the air conditioner operates with a reduced sound pressure level, ensuring a comfortable environment without unnecessary noise.

AUTO

In Auto mode, the air conditioner automatically selects the operating mode and the optimal fan speed based on the current room conditions.

* In auto mode, the set temperature targeted by the air conditioner is either 25°C or 24°C, depending on the device model.

TECHNOLOGY



Inverter technology

The advanced inverter technology used in all AUX devices ensures high performance and reliability while also providing energy efficiency and a lower noise level.



Intelligent defrosting

The intelligent defrosting system enables almost uninterrupted operation of the air conditioner in heating mode. The defrost mode is activated only when necessary and only for the time required to defrost the heat exchanger, ensuring more efficient unit performance when heating the room.



Gold-coated outdoor unit fins

The unique gold coating on the surface of the indoor unit heat exchanger effectively prevents bacterial growth and improves performance. It also efficiently protects the heat exchanger surface from corrosion, extending the device's lifespan.



Hydrophilic aluminium blades

Blades coated with a hydrophilic layer increase efficiency by up to 10% and improve condensation speed.



Automatic restart

In the event of a power outage, the device remembers the last settings and automatically restarts with the previously selected operating mode once power is restored.



Fire-resistant electrical box

The device is equipped with a high fire-resistant electrical box, preventing potential fire hazards in the event of an internal short circuit.



Drip tray heater of the outdoor unit

The drip tray heater protects the outdoor unit's heat exchanger from icing, ensuring efficient operation in heating mode even during severe frost.



Anti-corrosion housing of the outdoor unit

The outdoor unit housing is coated with multiple protective layers, safeguarding it against insects, rodents, moisture, dust, and fire. This ensures the device's longevity and maintains its aesthetic appearance even after years of exposure to harsh environmental conditions.



Gold-coated indoor unit fins

The unique gold coating on the surface of the outdoor unit heat exchanger effectively prevents bacterial growth and improves performance. It also efficiently protects the heat exchanger surface from corrosion, extending the device's lifespan.



Super EMC

All AUX products undergo thorough testing for electromagnetic compatibility to ensure safe and reliable operation.



Cooling in low temperatures

Top-quality components, such as a high-efficiency compressor and a premium heat exchanger, ensure reliable air conditioner operation in cooling mode, even at very low outdoor temperatures of up to -15°C (for commercial and multi-split units).



In-built condensate pump

The device is equipped with a high-lift condensate pump, allowing flexible drainage pipe installation within the suspended ceiling space.



AUX
AIR CONDITIONER



room
air conditioners

Overview of functions



TECHNOLOGY					
Inverter technology		●	●	●	●
Drip tray heater of the outdoor unit		●	●	●	●
Intelligent defrosting		●	●	●	●
Anti-corrosion casing of the outdoor unit		●	●	●	●
Gold-coated outdoor unit fins		●	●	●	●
Gold-coated indoor unit fins		●	●	●	●
Hydrophilic aluminium blades		●	●	●	●
Super EMC		●	●	●	●
Automatic restart		●	●	●	●



TECHNOLOGY					
●	●	●	●	●	●
●	●	●	●	●	●
●	●	●	●	●	●
●	●	●	●	●	●
●	●	●	●	●	●
●	●	●	●	●	●
●	●	●	●	●	●
●	●	●	●	●	●
●	●	●	●	●	●
●	●	●	●	●	●



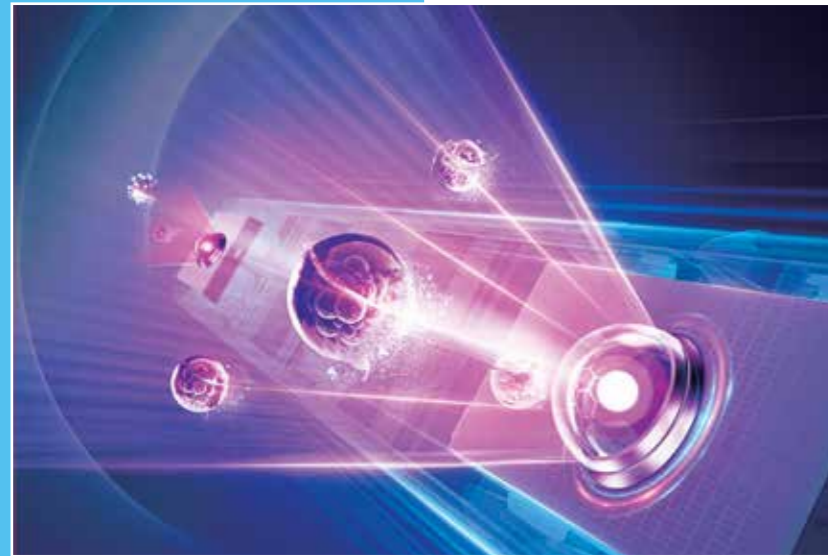
We reserve the right to errors in descriptions, appearance, functions, technical parameters, and dimensional drawings resulting from the continuous improvement of our devices.

We reserve the right to errors in descriptions, appearance, functions, technical parameters, and dimensional drawings resulting from the continuous improvement of our devices.

descriptions
of functions

HEALTH

STERILISATION



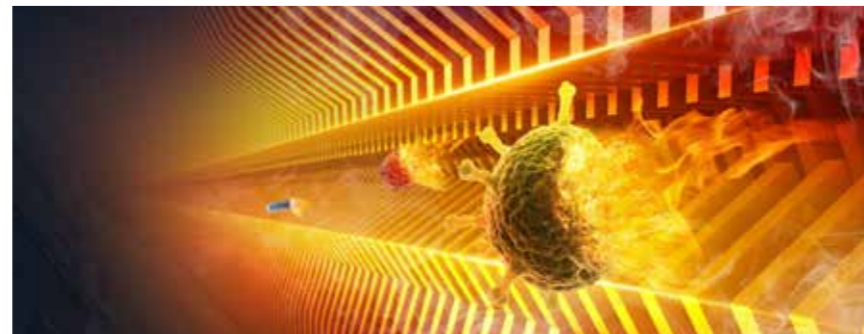
UV Sterilisation

Inhibits virus growth by 99% through effective disinfection

The top models of the C-Smart, Q-Smart, and J-Smart series are equipped with UV lamps, ensuring clean and healthy air. UV sterilisation effectively purifies the air by eliminating viruses, fungi, and micro-organisms. This feature is especially recommended for allergy sufferers and those prone to infections.

57°C Sterilisation

The heat exchanger maintains a high temperature of 57°C for an optimal duration to ensure effective sterilisation, eliminating micro-organisms, bacteria, and viruses.



Cold Plasma Ioniser

Clean and safe air in your home

The Cold Plasma ioniser generates negative ions, which are released into the air flowing through the air conditioner. These negatively charged ions surround and attract various airborne pollutants, triggering chemical reactions that deactivate them. As a result, the Cold Plasma ioniser effectively removes fine dust particles, viruses, bacteria, mites, mould, pollen, and other allergens from the air. It also neutralises unpleasant odours, including cigarette smoke.



ADVANCED SELF-CLEANING

Self-cleaning mode

Guaranteed clean interior of the device

The self-cleaning function effectively removes dirt and deposits from the evaporator, ensuring its hygienic cleanliness. The process begins with moisture condensation on the evaporator surface, followed by freezing, which eliminates

bacteria and micro-organisms. Next, the defrosting stage removes accumulated impurities. Finally, the evaporator is rapidly dried and sterilised by heating to 57°C, ensuring maximum hygiene and efficiency.

Elimination of contaminants at a 99.9% level



Influenza virus



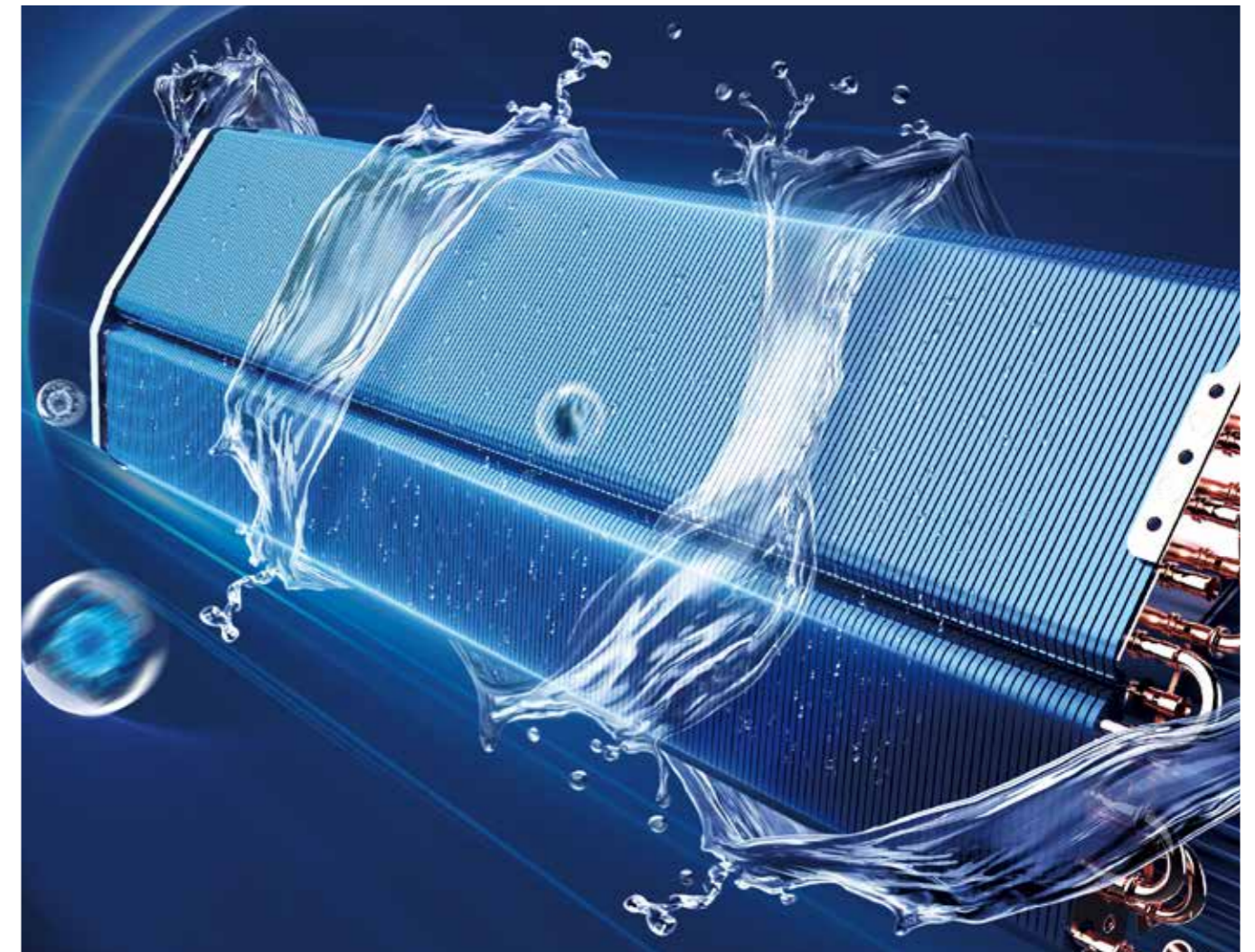
Escherichia coli bacterium



HFMD virus



Staphylococcus a. bacterium



HEALTH



PM2.5 filter

The PM2.5 filter in air conditioners removes fine particulate matter smaller than 2.5 micrometres, which can penetrate the lungs and bloodstream, causing health issues. It improves air quality and protects against pollution, especially in urban areas with high contamination levels.

FILTRATION



Antibacterial filter

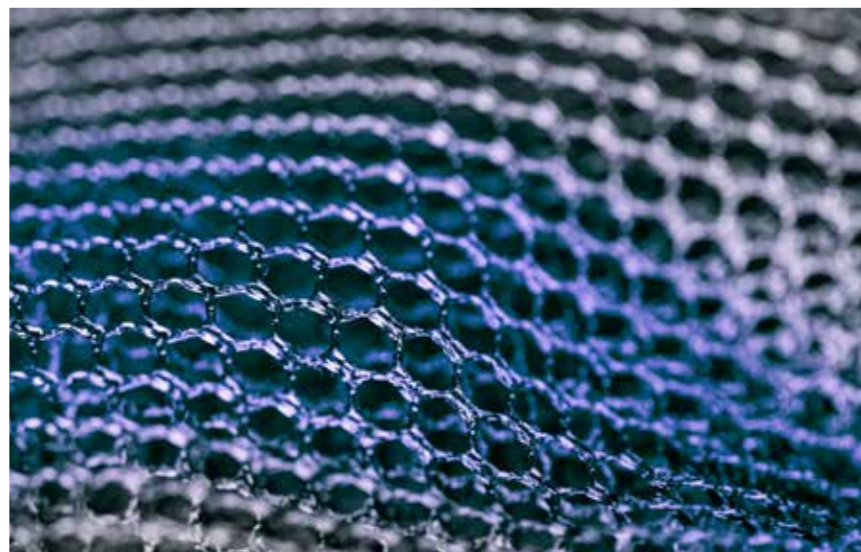
Effective protection against micro-organisms

The antibacterial filter sterilises all types of bacteria. Dust and airborne micro-organisms are trapped on the filter's antibacterial surface. Thanks to its bactericidal substances, their growth is effectively inhibited.



Honeycomb structure filter

The honeycomb-structured filter features a hexagonal design that maximises the filtration surface while maintaining a compact size. This unique construction enhances the capture of fine airborne particles, such as PM2.5, while also improving airflow through the filter.



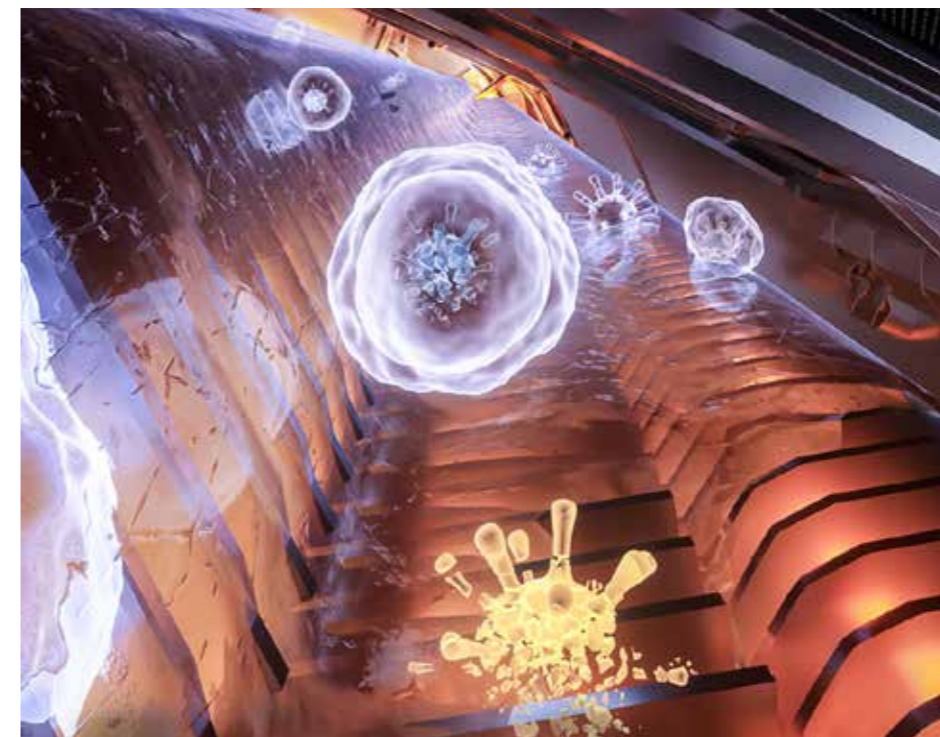
PRECISE HYGROMETER



In-built humidity sensor

C-Pro air conditioners are equipped with a precise hygrometer for intelligent humidity detection in the room. When humidity is too high, the compressor frequency decreases to prevent condensation. When humidity is normal, the compressor

frequency automatically increases to maintain temperature balance. The use of a hygrometer ensures continuous cooling while maintaining efficiency, providing a fresh and comfortable indoor environment.



Anti-mould mode

After operation and shut-down, the air conditioner automatically enters a drying mode to remove moisture accumulated on the indoor unit's evaporator. This process effectively prevents mould growth inside the unit. It is crucial, as moisture can cause unpleasant odours and shorten the device's lifespan. Regular evaporator drying ensures longer, more efficient operation and provides healthier, more hygienic conditions.

ECOLOGY

R32 Refrigerant

AUX wall-mounted air conditioners operate using the latest, environmentally friendly R32 refrigerant, which offers higher efficiency and a lower global warming potential compared to R410A. It also does not deplete the ozone layer.

CARING FOR THE ENVIRONMENT

Ecological

The R32 refrigerant has a very low Global Warming Potential (GWP) of 675. Compared to R410A, which has a GWP of 2088, R32 has a three times lower impact on global warming. It also has no negative effect on the ozone layer, as confirmed by its Ozone Depletion Potential (ODP) of 0. Additionally, unlike R410A, R32 is a homogeneous (single-component) refrigerant, making it recyclable.



Highly efficient

Thanks to its thermodynamic properties, the R32 refrigerant is more efficient than R410A. Air conditioning systems require approximately 30% less refrigerant, and R32 also increases the device's energy efficiency by up to 10%.

Safe

The R32 refrigerant has low toxicity, ensuring a high level of user safety.

R32 REFRIGERANT



CONVENIENCE



Auto-diagnosis mode

The device monitors for malfunctions and shuts down in the event of a failure. An error code appears on the indoor unit display (or wired controller), indicating the type of fault, making servicing significantly easier.



CONTROL AND DIAGNOSTICS



Wireless controller

Convenience and intuitive operation

The wireless remote control allows for convenient operation of the air conditioner, including turning the unit on and off, selecting settings and functions such as operating mode, airflow temperature, fan speed, and airflow direction.



LED Display

Visible only when the device is turned on

AUX wall-mounted air conditioners feature a modern LED display integrated into the front panel, clearly showing the device's operating status. When the air conditioner is turned off, the display becomes completely invisible. Additionally, when activated via the wired controller, the display can be turned off during operation.



In-built Wi-Fi 2.0 module

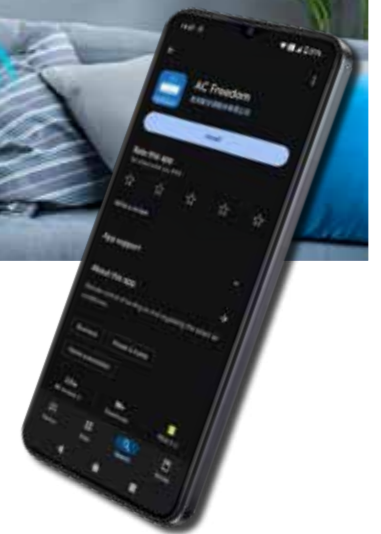
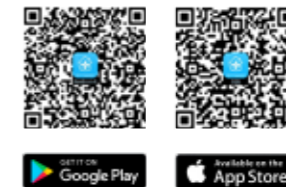
Convenient and easy control from anywhere in the world

All AUX wall-mounted models come standard with a Wi-Fi module. The C-Smart, C-Smart Premium, Q-Smart, and J-Smart series feature a plug-in Wi-Fi 2.0 module via USB. This easy-to-install solution allows users to control the air conditioner's settings remotely via mobile devices, even when away from home or the office.

AC-Freedom App

To control the air conditioner via Wi-Fi, it is necessary to install the AC Freedom app on your mobile device. The app allows you to control multiple devices and save individual settings for each one, such as the operating mode, temperature settings, and fan speed level. The user-friendly and simple interface of the app ensures maximum comfort in controlling the device.

WI-FI 2.0 CONTROL MODULE



EFFECTIVE HEATING



Heating at -30°C

The heating function at -30°C allows the C-Smart Premium series air conditioners to be used during the winter in low temperatures, which is especially important in climates with harsh winters. Thanks to this function, the air conditioner can effectively heat rooms even in extremely low outdoor temperatures, ensuring thermal comfort for residents.

The heating function at -22°C is available in the J-Smart and J-Smart Art units, while the -20°C heating is found in the Q-Smart Plus II units. Heating at -15°C applies to the Q-Smart Eco series units.



COMFORT

Intelligent airflow

The air conditioners in the C series have been designed with the aim of reducing the air draft effect. Thanks to the innovative micro-hole system and specially designed louvers, the air is blown out without causing any draft effect.

Pioneering micro-hole technology

To ensure unparalleled air flow comfort, AUX designed the casings of the indoor units and the louvers in such a way as to eliminate the feeling of a draft. This has been made possible thanks to 2,430 micro-holes in the C-Smart air conditioner. The air blown out is diffused, providing thermal comfort, speed, and precision in maintaining the room temperature.

The triple deflector function

In the C-Pro series, AUX introduced a pioneering solution by combining dual-axis blades and a micro-hole panel in one device.

The number of micro-holes has been increased to 8,645, which is three times more than in the previous model. This results in a larger surface area for releasing a gentle breeze of air.

AIRFLOW SYSTEM



Upper airflow

The upward setting of the C-Pro air conditioner's louvers directs the blown air towards the ceiling and walls, ensuring thermal comfort throughout the entire room.



Floor heating

The downward setting of the C-Pro air conditioner's louvers ensures that warm air is evenly distributed throughout the room, providing a feeling similar to underfloor heating.

4D AIRFLOW AND DEHUMIDIFICATION



4D Airflow

The highest level of comfort

The air louvers of the indoor unit move automatically in both the vertical and horizontal planes, allowing the conditioned air to be blown in all directions (simultaneous vertical and horizontal swing).



Dehumidification mode

Greater sense of comfort

In dehumidification mode, the air conditioner lowers the humidity level in the room to an optimal value, automatically adjusting the temperature and airflow to achieve the best conditions for dehumidification. This helps prevent the development of various air pollutants.



8°C Heating mode

Maintaining a constant temperature of +8°C in heating mode prevents the room from cooling down and ensures suitable conditions for pets and plants.

COMFORT

Anti-Cold-Air mode

Prevention of cold drafts

No need to worry about sudden cooling in heating mode. When the heating mode is activated, the indoor unit's fan starts operating at the lowest speed to avoid blowing cold air.

AIRFLOW PRECISION



I FEEL mode

Intelligent temperature reading

The "I FEEL" intelligent temperature sensing function allows for precise adjustment of the airflow temperature according to the current conditions in the room, providing maximum comfort with low energy consumption.

Night mode

During the active function, the air conditioner operates according to the set temperature curve. When the function is activated, during the first two hours of cooling mode, it increases the set temperature by 1°C per hour (in heating mode, it decreases the temperature at the same rate). For the next 5 hours, it maintains the achieved temperature at a constant level, after which the air conditioner turns off.



EASY AND QUICK INSTALLATION

Easy and quick installation

The front panel of the C-Smart series air conditioner and the lower part of the casing feature special clips that make it easier to remove and install the unit. This reduces the installation and servicing time of the air conditioner by up to 20%. The

specially designed panel also simplifies the installation of the air conditioner on the wall. Setting the unit horizontally and vertically is much more convenient and allows for seamless installation.



Easy and quick installation

Removable lower cover of the casing

The indoor unit of the J-Smart series features a removable lower part of the casing. This solution makes the installation of the device much faster and easier. The installation can be

carried out by one person, and the time required is reduced by up to half. The removable lower cover also provides convenient service access.



Single-person installation



Installation time reduced by half



TECHNOLOGY

DC Inverter technology

Highest quality compressor

The inverter rotary compressor used in AUX air conditioners ensures reliable and efficient operation while delivering top-tier energy efficiency. It also guarantees low operating costs and minimal noise levels. Durable, high-quality materials used in the compressor's construction contribute to its long-lasting and trouble-free performance.

Drip tray heater

Next-generation drip tray heater

The next-generation drip tray heater prevents excessive snow and ice build-up in the unit. This ensures proper operation even in extremely harsh weather conditions.

QUALITY AND RELIABILITY



Gold-coated fins of the heat exchanger

Long lifespan and corrosion protection

The heat exchanger surfaces in both the indoor and outdoor units are coated with a unique gold coating that effectively prevents bacterial growth and enhances the heating efficiency of the devices. It is also more resistant to oxidation and corrosion than the standard blue coating, further extending the unit's lifespan.



This applies to the indoor and outdoor units of the C-Pro, C-Smart Premium, C-Smart, J-Smart, and Q-Smart series. The Q-Smart Eco series units feature blue-coated heat exchanger fins.

Intelligent defrosting

Efficient operation in heating mode

The air conditioner activates the defrost mode only when necessary and only for the time required to defrost the heat exchanger, allowing for nearly continuous operation in heating mode. The intelligent defrosting system improves energy efficiency by 5% and increases heating performance in low outdoor temperatures by up to 20%.



Corrosion-resistant outdoor unit housing

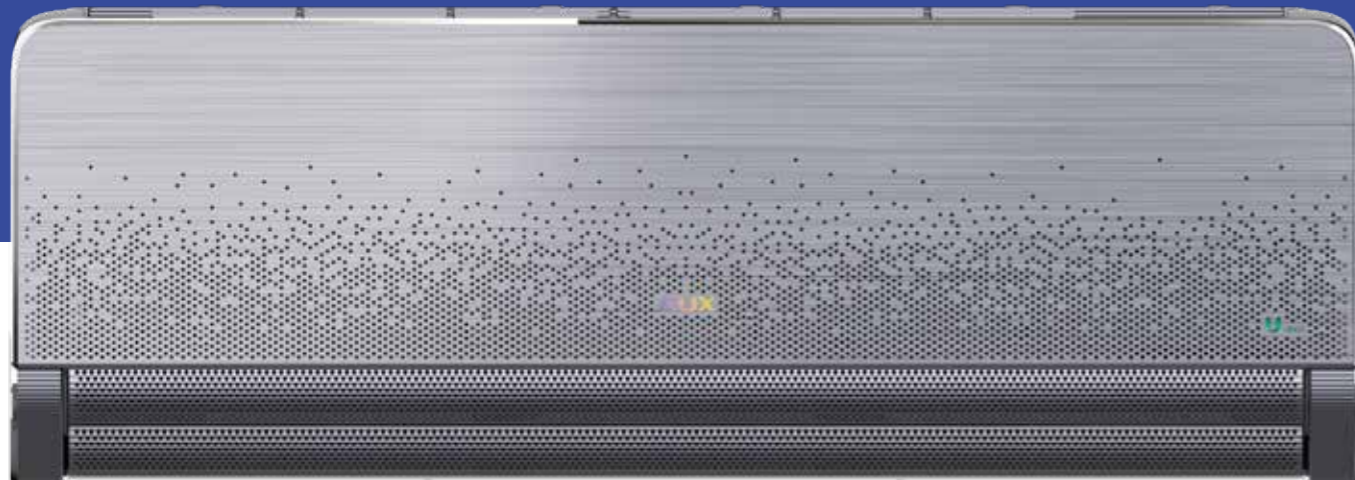
Longer lifespan and aesthetics

The outdoor unit's housing is coated with multiple protective layers, shielding it from insects, rodents, moisture, dust, and fire. This ensures long-lasting durability and a visually appealing appearance, even after years of exposure to harsh environmental conditions.



C-Pro Grey

AUX-09/12CPRO



The C-Pro Grey air conditioners are equipped with innovative air ventilation technology, providing an unparalleled level of user comfort

The air conditioners from the C-Pro series stand out for their exceptional craftsmanship and modern aesthetics, making them a perfect fit for various interior designs. Their elegant design serves as a subtle and sophisticated decorative element. Thanks to the innovative air distribution technology through 8645 micro-holes, users can enjoy an exceptional level of comfort.



HEALTH



Sterilisation 57°C



Self-cleaning mode



Temperature range setting



In-built humidity sensor



Anti-mould mode



High-density filter



Washable air filter

ECOLOGY



R32 Refrigerant



Eco mode



Stand-by mode 0.3W

CONVENIENCE



Auto-diagnosis mode



24H timer



LED display



In-built Wi-Fi module



Wireless controller



Heating at -25°C

COMFORT



4D Airflow



Vertical movement of the air louvers



Horizontal movement of the air louvers



Anti-Cold-Air mode



Night mode



I FEEL mode

COMFORT



Turbo mode



Auto mode



Cooling mode



Heating mode



8°C heating mode



Dehumidification mode



Fan mode



Quiet operation mode



Child-lock mode

TECHNOLOGY



Inverter technology



Drip tray heater of the outdoor unit



Intelligent defrosting



Fire-resistant electrical box



Gold-coated outdoor unit fins



Gold-coated indoor unit fins



Hydrophilic aluminium blades



Super EMC



Automatic restart



C-Pro Grey

CPRO Series

AUX-09/12CPRO



Model		AUX-09CPRO	AUX-12CPRO
Cooling efficiency	[kW]	2,70 (0,60 - 4,00)	3,50 (0,80 - 4,10)
Heating efficiency	[kW]	3,30 (0,80 - 4,20)	4,20 (0,39 - 4,20)
Power supply	[V~,Hz,Ph]	220-240, 50, 1	220-240, 50, 1
Operating current	Cooling	[A] 3,20 (0,56 - 5,32)	4,20 (0,56 - 5,80)
	Heating	[A] 3,70 (1,02 - 5,32)	4,80 (1,50 - 8,00)
Energy consumption	Cooling	[W] 640 (100 - 1200)	900 (100 - 1600)
	Heating	[W] 720 (200 - 1200)	1050 (300 - 1600)
Maximum current draw	[A]	8,9	8,9
Maximum power consumption	[W]	1600	1600
SEER / SCOP	-	9,00 / 4,70	8,80 / 4,70
Energy efficiency class	Cooling	-	A+++
	Heating	-	A++
Indoor unit		AUX-09CPRO/I	AUX-12CPRO/I
Airflow rate	[m³/h]	650	650
Sound power level	[dB(A)]	54	54
Dimensions of the indoor unit	[mm]	890 x 311 x 212	890 x 311 x 212
Weight of the indoor unit	[kg]	9,5	9,5
Outdoor unit		AUX-09CPRO/O	AUX-12CPRO/O
Refrigerant gas	Type	-	R32
	Factory charge (up to 5m)	[g]	600
	Additional charge	[g/m]	20
Sound power level	[dB(A)]	61	62
Dimensions of the outdoor unit	[mm]	710 x 280 x 530	710 x 280 x 530
Weight of the outdoor unit	[kg]	24,5	24,5
Operation of the ODU (outside temp.)	Cooling	[°C]	-10
	Heating	[°C]	-25
Pipe connections (diameter)	Liquid	[inches]	1/4
	Gas	[inches]	3/8
Maximum piping length	[m]	20	20
Maximum height difference	[m]	10	10



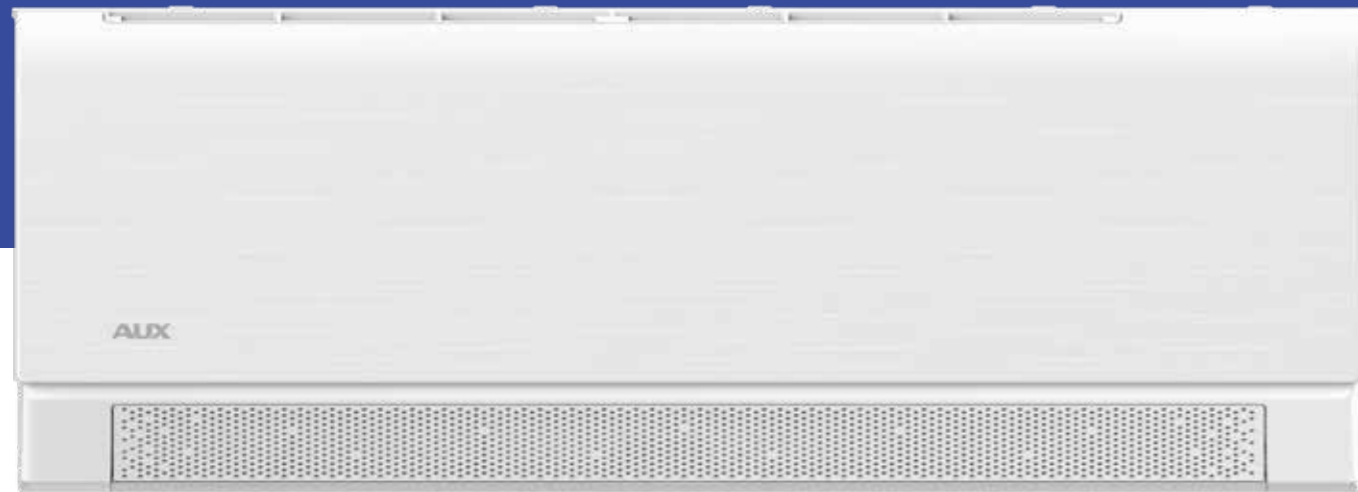
Wireless controller Type C

Wi-Fi 2.0 control module

Air conditioning units contain fluorinated greenhouse gases R32. We reserve the right to errors in descriptions, appearance, functions, technical parameters, and dimensional drawings resulting from the continuous improvement of our devices.

C-Smart Premium White

AUX-09/12CA
AUX-18/24C3A



The C-Smart Premium series combines the latest trends with a wide range of features that will appeal to even the most demanding users

The combination of excellent production precision and aesthetics in the C-Smart Premium air conditioners, along with their elegant design, not only guarantees a perfect fit for various interior arrangements but also serves as a refined and subtle decorative detail.

R32

UV

A+++

COOLING

A++

HEATING

AIR CONDITIONER

5

YEARS OF WARRANTY

COMPRESSOR

10

YEARS OF WARRANTY

HEALTH

- UV Sterilisation
- 57°C Sterilisation
- Self-cleaning mode
- Antibacterial filter
- Temperature range setting
- PM 2.5 filter
- Additional air filter
- Anti-mould mode
- Washable air filter

ECOLOGY

- R32 Refrigerant
- Eco mode
- Stand-by mode 0.3W

CONVENIENCE

- Auto-diagnosis mode
- 24H timer
- LED display
- Dual condensation drainage
- In-built Wi-Fi module
- Wireless controller
- Heating at -30°C

COMFORT

- 4D Airflow
- Vertical movement of the air louvers
- Horizontal movement of the air louvers
- Anti-Cold-Air mode
- Night mode

COMFORT

- I FEEL mode
- Turbo mode
- Auto mode
- Cooling mode
- Heating mode
- 8°C heating mode
- Dehumidification mode
- Fan mode
- Quiet operation mode
- Easy and quick installation

TECHNOLOGY

- DC Inverter
- Drip tray heater of the outdoor unit
- Intelligent defrosting
- Fire-resistant electrical box
- Gold-coated outdoor unit fins
- Gold-coated indoor unit fins
- Hydrophilic aluminium blades
- Super EMC
- Automatic restart



C-Smart Premium White

CA / C3A Series

AUX-09/12CA, AUX-18/24C3A



Model		AUX-09CA	AUX-12CA	AUX-18C3A	AUX-24C3A	
Cooling efficiency	[kW]	2,70 (0,60 - 4,00)	3,50 (0,65 - 4,10)	5,40 (1,30 - 5,90)	7,30 (1,80 - 7,40)	
Heating efficiency	[kW]	3,30 (0,80 - 4,20)	4,20 (0,93 - 4,20)	5,80 (1,30 - 6,10)	7,40 (1,80 - 8,00)	
Power supply	[V~,Hz,Ph]	220-240, 50, 1	220-240, 50, 1	220-240, 50, 1	220-240, 50, 1	
Operating current	Cooling	[A]	3,30 (0,56 - 5,32)	4,20 (0,56 - 5,80)	6,40 (2,20 - 6,80)	7,90 (1,00 - 10,00)
	Heating	[A]	3,90 (1,02 - 5,32)	4,80 (1,00 - 6,30)	6,10 (2,00 - 8,00)	10,50 (1,00 - 11,00)
Energy consumption	Cooling	[W]	720 (100 - 1200)	870 (130 - 1550)	1430 (290 - 1950)	1700 (230 - 2300)
	Heating	[W]	800 (200 - 1200)	1060 (230 - 1300)	1330 (250 - 1800)	2300 (230 - 2530)
Maximum current draw	[A]	9,0	9,0	12,0	16,0	
Maximum power consumption	[W]	1600	1500	2400	3200	
SEER / SCOP	-	8,50 / 4,60	8,50 / 4,60	8,80 / 4,60	8,70 / 4,60	
Energy efficiency class	Cooling	-	A+++	A+++	A+++	A+++
	Heating	-	A++	A++	A++	A++
Indoor unit		AUX-09CA/I	AUX-12CA/I	AUX-18C3A/I	AUX-24C3A/I	
Airflow rate	[m³/h]	700/611/558/504	650/580/550/500	1060/900/800/650	1300/1200/1010/870	
Sound power level	[dB(A)]	54	56	56	62	
Sound pressure level	[dB(A)]	19 - 41	20 - 42	21 - 49	22 - 51	
Dimensions of the indoor unit	[mm]	774 x 299 x 202	834 x 299 x 202	1145 x 331 x 230	1145 x 331 x 230	
Weight of the indoor unit	[kg]	8,0	8,5	13,0	14,0	
Outdoor unit		AUX-09CA/O	AUX-12CA/O	AUX-18C3A/O	AUX-24C3A/O	
Refrigerant gas	Type	-	R32	R32	R32	R32
	Factory charge (up to 5m)	[g]	550	600	1030	1200
	Additional charge	[g/m]	20	20	20	30
Sound power level	[dB(A)]	61	62	63	65	
Sound pressure level	[dB(A)]	51	51	53	54	
Dimensions of the outdoor unit	[mm]	710 x 280 x 530	710 x 280 x 530	785 x 300 x 555	900 x 350 x 700	
Weight of the outdoor unit	[kg]	22,5	24,5	28,5	41,0	
Operation of the ODU (outside temp.)	Cooling	[°C]	-10	-10	-10	-10
	Heating	[°C]	-30	-30	-30	-30
Pipe connections (diameter)	Liquid	[inches]	1/4	1/4	1/4	1/4
	Gas	[inches]	3/8	3/8	1/2	5/8
Maximum piping length	[m]	20	20	25	25	
Maximum height difference	[m]	10	10	10	15	



Wireless controller
Type C

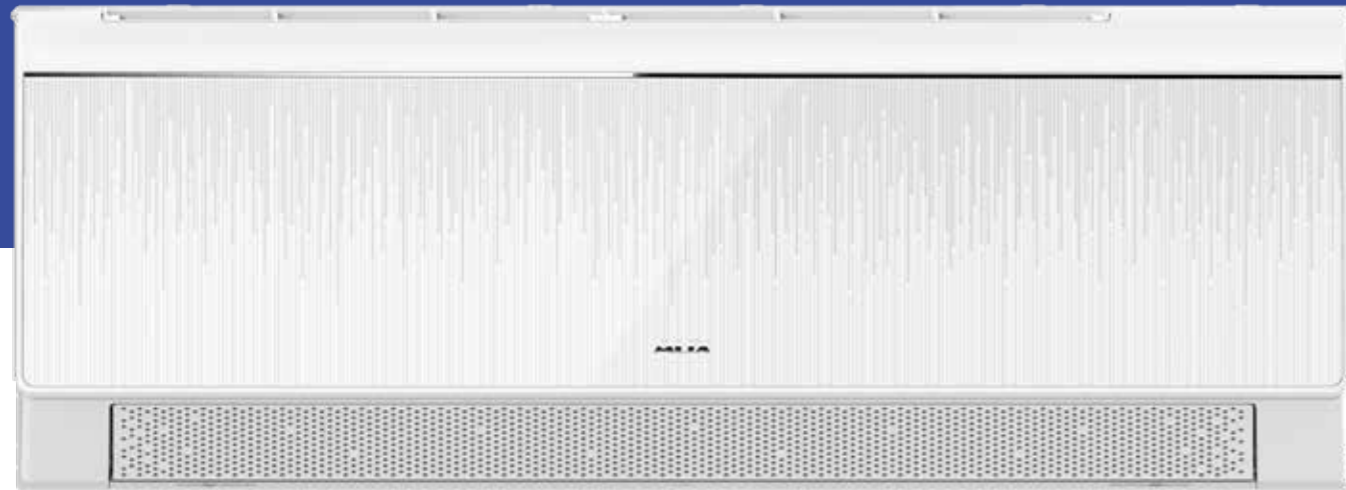
Wi-Fi 2.0
control module

Air conditioning units contain fluorinated greenhouse gases R32.

We reserve the right to errors in descriptions, appearance, functions, technical parameters, and dimensional drawings resulting from the continuous improvement of our devices.

C-Smart Premium Crystal

AUX-09/12/18/24CCW



C-Smart Premium Crystal features an exceptional design, perfect for modern spaces. Its advanced functions meet the expectations of even the most demanding users

C-Smart Premium Crystal is a harmonious blend of innovative style and technological excellence, enhancing the character of contemporary interiors. Its elegant design not only complements various arrangements but also serves as a refined decorative element.



HEALTH



UV Sterilisation



57°C Sterilisation



Self-cleaning mode



Antibacterial filter



Temperature range setting



PM 2.5 filter



Additional air filter



Anti-mould mode



Washable air filter



R32 Refrigerant



Eco mode



Stand-by mode 0.3W

ECOLOGY

CONVENIENCE



Auto-diagnosis mode



24H timer



LED display



Dual condensation drainage



In-built Wi-Fi module



Wireless controller



Heating at -30°C



4D Airflow



Vertical movement of the air louvers



Horizontal movement of the air louvers



Anti-Cold-Air mode



Night mode

COMFORT

COMFORT



I FEEL mode



Turbo mode



Auto mode



Cooling mode



Heating mode



8°C heating mode



Dehumidification mode



Fan mode



Quiet operation mode



Easy and quick installation

TECHNOLOGY



Inverter technology



Drip tray heater of the outdoor unit



Intelligent defrosting



Fire-resistant electrical box



Gold-coated outdoor unit fins



Gold-coated indoor unit fins



Hydrophilic aluminium blades



Super EMC



Automatic restart



C-Smart Premium Crystal

CCW Series

AUX-09/12/18/24CCW



Model		AUX-09CCW	AUX-12CCW	AUX-18CCW	AUX-24CCW	
Cooling efficiency	[kW]	2,70 (0,60 - 4,00)	3,50 (0,65 - 4,10)	5,40 (1,30 - 5,90)	7,30 (1,80 - 7,40)	
Heating efficiency	[kW]	3,30 (0,80 - 4,20)	4,20 (0,93 - 4,20)	5,80 (1,30 - 6,10)	7,40 (1,80 - 8,00)	
Power supply	[V~,Hz,Ph]	220-240, 50, 1	220-240, 50, 1	220-240, 50, 1	220-240, 50, 1	
Operating current	Cooling	[A]	3,30 (0,56 - 5,32)	4,20 (0,56 - 5,80)	6,40 (2,20 - 6,80)	7,90 (1,00 - 10,00)
	Heating	[A]	3,90 (1,02 - 5,32)	4,80 (1,00 - 6,30)	6,10 (2,00 - 8,00)	10,5 (1,00 - 11,00)
Energy consumption	Cooling	[W]	720 (100 - 1200)	870 (130 - 1550)	1430 (290 - 1950)	1700 (230 - 2300)
	Heating	[W]	800 (200 - 1200)	1060 (230 - 1300)	1330 (250 - 1800)	2300 (230 - 2530)
Maximum current draw	[A]	9,0	9,0	12,0	16,0	
Maximum power consumption	[W]	1600	1500	2400	3200	
SEER / SCOP	-	8,50 / 4,60	8,50 / 4,60	8,80 / 4,60	8,70 / 4,60	
Energy efficiency class	Cooling	-	A+++	A+++	A+++	A+++
	Heating	-	A++	A++	A++	A++
Indoor unit		AUX-09CCW/I	AUX-12CCW/I	AUX-18CCW/I	AUX-24CCW/I	
Airflow rate	[m³/h]	700/611/558/504	650/580/550/500	1060/900/800/650	1300/1200/1010/870	
Sound power level	[dB(A)]	54	56	56	62	
Sound pressure level	[dB(A)]	19 - 41	20 - 42	21 - 49	22 - 51	
Dimensions of the indoor unit	[mm]	774 x 299 x 202	834 x 299 x 202	1145 x 331 x 230	1145 x 331 x 230	
Weight of the indoor unit	[kg]	8,0	8,5	13,0	14,0	
Outdoor unit		AUX-09CCW/O	AUX-12CCW/O	AUX-18CCW/O	AUX-24CCW/O	
Refrigerant gas	Type	-	R32	R32	R32	R32
	Factory charge (up to 5m)	[g]	550	600	1030	1200
	Additional charge	[g/m]	20	20	20	30
Sound power level	[dB(A)]	61	62	63	65	
Sound pressure level	[dB(A)]	51	51	53	54	
Dimensions of the outdoor unit	[mm]	710 x 280 x 530	710 x 280 x 530	785 x 300 x 555	900 x 350 x 700	
Weight of the outdoor unit	[kg]	22,5	24,5	28,5	41,0	
Operation of the ODU (outside temp.)	Cooling	[°C]	-10	-10	-10	-10
	Heating	[°C]	-30	-30	-30	-30
Pipe connections (diameter)	Liquid	[inches]	1/4	1/4	1/4	1/4
	Gas	[inches]	3/8	3/8	1/2	5/8
Maximum piping length	[m]	20	20	25	25	
Maximum height difference	[m]	10	10	10	15	



Wireless controller Type C



Air conditioning units contain fluorinated greenhouse gases R32.

We reserve the right to errors in descriptions, appearance, functions, technical parameters, and dimensional drawings resulting from the continuous improvement of our devices.

C-Smart Premium Onyx

AUX-09/12/18/24CCB



The C-Smart Premium Onyx air conditioner is elegance in a modern version, perfect for contemporary interiors. Advanced technologies highlight its unique character

C-Smart Premium Onyx is a unique combination of innovative design and advanced technology, perfectly complementing modern spaces. In its black version, the unit catches the eye with its glossy front panel, contrasting with the subtle matte finish of the housing.



HEALTH

- UV Sterilisation
- 57°C Sterilisation
- Self-cleaning mode
- Antibacterial filter
- Temperature range setting
- PM 2.5 filter
- Additional air filter
- Anti-mould mode
- Washable air filter
- R32 Refrigerant
- Eco mode
- Stand-by mode 0,3W

ECOLOGY

CONVENIENCE

- Auto-diagnosis mode
- 24H timer
- LED display
- Dual condensation drainage
- In-built Wi-Fi module
- Wireless controller
- Heating at -30°C
- 4D Airflow
- Vertical movement of the air louvers
- Horizontal movement of the air louvers
- Anti-Cold-Air mode
- Night mode

COMFORT

COMFORT

- I FEEL mode
- Turbo mode
- Auto mode
- COOLING mode
- HEATING mode
- 8°C heating mode
- Dehumidification mode
- Fan mode
- Quiet operation mode
- Easy and quick installation

TECHNOLOGY

- DC INVERTER
- Drip tray heater of the outdoor unit
- Intelligent defrosting
- Fire-resistant electrical box
- Gold-coated outdoor unit fins
- Gold-coated indoor unit fins
- Hydrophilic aluminium blades
- SUPER EMC
- Automatic restart



C-Smart Premium Onyx

CCB Series

AUX-09/12/18/24CCB



Model		AUX-09CCB	AUX-12CCB	AUX-18CCB	AUX-24CCB	
Cooling efficiency	[kW]	2,70 (0,60 - 4,00)	3,50 (0,65 - 4,10)	5,40 (1,30 - 5,90)	7,30 (1,80 - 7,40)	
Heating efficiency	[kW]	3,30 (0,80 - 4,20)	4,20 (0,93 - 4,20)	5,80 (1,30 - 6,10)	7,40 (1,80 - 8,00)	
Power supply	[V~,Hz,Ph]	220-240, 50, 1	220-240, 50, 1	220-240, 50, 1	220-240, 50, 1	
Operating current	Cooling	[A] 3,30 (0,56 - 5,32)	4,20 (0,56 - 5,80)	6,40 (2,20 - 6,80)	7,90 (1,00 - 10,00)	
	Heating	[A] 3,90 (1,02 - 5,32)	4,80 (1,00 - 6,30)	6,10 (2,00 - 8,00)	10,5 (1,00 - 11,00)	
Energy consumption	Cooling	[W] 720 (100 - 1200)	870 (130 - 1550)	1430 (290 - 1950)	1700 (230 - 2300)	
	Heating	[W] 800 (200 - 1200)	1060 (230 - 1300)	1330 (250 - 1800)	2300 (230 - 2530)	
Maximum current draw	[A]	9,0	9,0	12,0	16,0	
Maximum power consumption	[W]	1600	1500	2400	3200	
SEER / SCOP	-	8,50 / 4,60	8,50 / 4,60	8,80 / 4,60	8,70 / 4,60	
Energy efficiency class	Cooling	-	A+++	A+++	A+++	
	Heating	-	A++	A++	A++	
Indoor unit		AUX-09CCB/I	AUX-12CCB/I	AUX-18CCB/I	AUX-24CCB/I	
Airflow rate	[m³/h]	700/611/558/504	650/580/550/500	1060/900/800/650	1300/1200/1010/870	
Sound power level	[dB(A)]	54	56	56	62	
Sound pressure level	[dB(A)]	19 - 41	20 - 42	21 - 49	22 - 51	
Dimensions of the indoor unit	[mm]	774 x 299 x 202	834 x 299 x 202	1145 x 331 x 230	1145 x 331 x 230	
Weight of the indoor unit	[kg]	8,0	8,5	13,0	14,0	
Outdoor unit		AUX-09CCB/O	AUX-12CCB/O	AUX-18CCB/O	AUX-24CCB/O	
Refrigerant gas	Type	-	R32	R32	R32	
	Factory charge (up to 5m)	[g]	550	600	1030	1200
	Additional charge	[g/m]	20	20	20	30
Sound power level	[dB(A)]	61	62	63	65	
Sound pressure level	[dB(A)]	51	51	53	54	
Dimensions of the outdoor unit	[mm]	710 x 280 x 530	710 x 280 x 530	785 x 300 x 555	900 x 350 x 700	
Weight of the outdoor unit	[kg]	22,5	24,5	28,5	41,0	
Operation of the ODU (outside temp.)	Cooling	[°C]	-10	-10	-10	-10
	Heating	[°C]	-30	-30	-30	-30
Pipe connections (diameter)	Liquid	[inches]	1/4	1/4	1/4	1/4
	Gas	[inches]	3/8	3/8	1/2	5/8
Maximum piping length	[m]	20	20	25	25	
Maximum height difference	[m]	10	10	10	15	



Wireless controller Type C

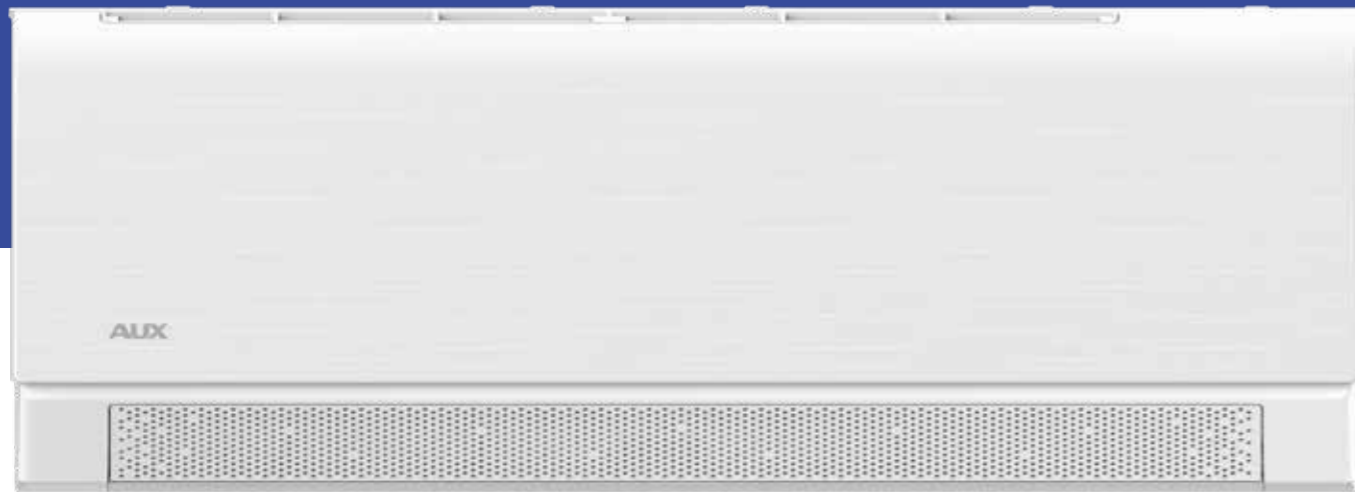
Wi-Fi 2.0 control module

Air conditioning units contain fluorinated greenhouse gases R32. We reserve the right to errors in descriptions, appearance, functions, technical parameters, and dimensional drawings resulting from the continuous improvement of our devices.

C-Smart White

AUX-09/12/18/24CAA

AUX-18/24CA



The C-Smart series is a perfect combination of contemporary design and innovative features, created with comfort, elegance, and unique aesthetics in mind

The C-Smart White series air conditioners are equipped with an advanced air ventilation system, thanks to innovative micro-hole technology. Combined with a range of innovative features and exceptional design, C-Smart air conditioners are the perfect decorative element that enhances the style of modern interiors.

R32

UV

A++

COOLING

A+

HEATING

5

YEARS OF WARRANTY

10

YEARS OF WARRANTY

HEALTH

- UV Sterilisation
- 57°C Sterilisation
- Self-cleaning mode
- Antibacterial filter
- Temperature range setting
- PM2.5 filter
- Additional air filter
- Anti-mould mode
- Washable air filter

ECOLOGY

- R32 Refrigerant
- Eco mode
- Stand-by mode 0.3W

CONVENIENCE

- Auto-diagnosis mode
- 24H timer
- LED display
- Dual condensation drainage
- In-built Wi-Fi module
- Wireless controller
- Heating at -25°C

COMFORT

- 4D Airflow
- Vertical movement of the air louvers
- Horizontal movement of the air louvers
- Anti-Cold-Air mode
- Night mode

COMFORT

- I FEEL mode
- Turbo mode
- Auto mode
- Cooling mode
- Heating mode
- 8°C heating mode
- Dehumidification mode
- Fan mode
- Quiet operation mode
- Easy and quick installation

TECHNOLOGY

- DC Inverter
- Drip tray heater of the outdoor unit
- Intelligent defrosting
- Fire-resistant electrical box
- Gold-coated outdoor unit fins
- Gold-coated indoor unit fins
- Hydrophilic aluminium blades
- Super EMC
- Automatic restart



C-Smart White

CAA Series

AUX-09/12/18/24CAA AUX-18/24CA



Model		AUX-09CAA	AUX-12CAA	AUX-18CAA AUX-18CA	AUX-24CAA AUX-24CA
Cooling efficiency	[kW]	2,75 (0,60 - 4,00)	3,50 (0,80 - 4,20)	5,40 (1,30 - 5,90)	7,30 (1,80 - 7,40)
Heating efficiency	[kW]	3,20 (0,80 - 4,20)	3,85 (1,00 - 4,20)	5,60 (1,30 - 6,00)	7,30 (1,80 - 7,40)
Power supply	[V~,Hz,Ph]	220-240, 50, 1	220-240, 50, 1	220-240, 50, 1	220-240, 50, 1
Operating current	Cooling	[A]	3,70 (0,56 - 5,32)	5,50 (0,70 - 7,80)	7,30 (2,20 - 9,30)
	Heating	[A]	4,00 (1,02 - 5,32)	5,90 (1,50 - 8,00)	6,90 (2,00 - 8,00)
Energy consumption	Cooling	[W]	780 (100 - 1200)	1180 (100 - 1600)	1650 (290 - 2100)
	Heating	[W]	840 (200 - 1200)	1100 (300 - 1600)	1550 (250 - 1800)
Maximum current draw	[A]	9,0	9,5	12,0	16,0
Maximum power consumption	[W]	1600	1900	2400	3400
SEER / SCOP	-	7,60 / 4,20	7,10 / 4,10	7,00 / 4,10	6,90 / 4,20
Energy efficiency class	Cooling	-	A++	A++	A++
	Heating	-	A+	A+	A+
Indoor unit		AUX-09CAA/I	AUX-12CAA/I	AUX-18CAA/I AUX-18CA/I	AUX-24CAA/I AUX-24CA/I
Airflow rate	[m³/h]	650/570/515/460	650/570/515/460	900/800/750/650	1300/1200/1010/870
Sound power level	[dB(A)]	53	53	58	62
Sound pressure level	[dB(A)]	19 - 39	20 - 41	21 - 48	22 - 50
Dimensions of the indoor unit	[mm]	774 x 298 x 202	774 x 298 x 202	997 x 312 x 222	1145 x 331 x 230
Weight of the indoor unit	[kg]	7,5	8,0	11,0	13,0
Outdoor unit		AUX-09CAA/O	AUX-12CAA/O	AUX-18CAA/O AUX-18CA/O	AUX-24CAA/O AUX-24CA/O
Refrigerant gas	Type	-	R32	R32	R32
	Factory charge (up to 5m)	[g]	550	600	1030
	Additional charge	[g/m]	20	20	20
Sound power level	[dB(A)]	62	62	62	64
Sound pressure level	[dB(A)]	49	49	51	52
Dimensions of the outdoor unit	[mm]	710 x 280 x 530	710 x 280 x 530	785 x 300 x 555	900 x 350 x 700
Weight of the outdoor unit	[kg]	23,0	23,0	28,5	39,0
Operation of the ODU (outside temp.)	Cooling	[°C]	-10	-10	-10
	Heating	[°C]	-25	-25	-25
Pipe connections (diameter)	Liquid	[inches]	1/4	1/4	1/4
	Gas	[inches]	3/8	3/8	1/2
Maximum piping length	[m]	20	20	20	25
Maximum height difference	[m]	10	10	10	15



Wireless controller Type C

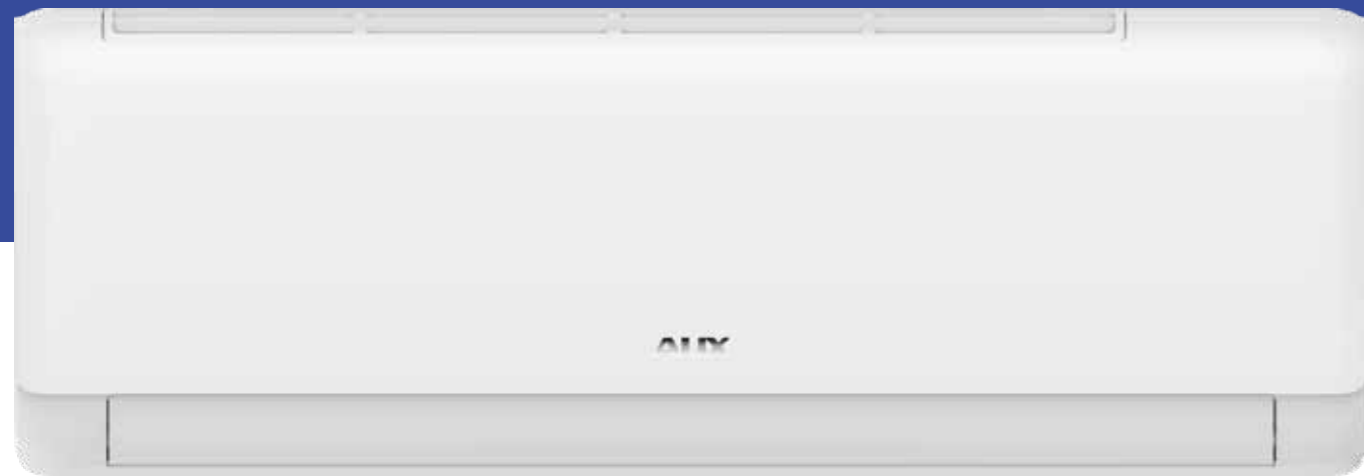
Wi-Fi 2.0 control module

Air conditioning units contain fluorinated greenhouse gases R32. We reserve the right to errors in descriptions, appearance, functions, technical parameters, and dimensional drawings resulting from the continuous improvement of our devices.

Q-Smart Plus II

AUX-09/18/Q2C

AUX-12/24/QC



Q-Smart Plus II combines advanced technologies with high quality and excellent craftsmanship, offering both performance and aesthetic appeal

The Q-Smart Plus II air conditioner stands out with its flawless design, crafted to perfection. Designed in line with the latest interior trends, it will seamlessly blend into elegant spaces, subtly enhancing their style.

R32

UV

A++

COOLING

A+

HEATING

5

YEARS OF WARRANTY

10

YEARS OF WARRANTY

HEALTH

- UV Sterilisation
- 57°C Sterilisation
- Self-cleaning mode
- Anti-mould mode
- High-density filter
- Antibacterial filter
- Additional air filter
- Washable air filter

ECOLOGY

- R32 Refrigerant
- Eco mode
- Stand-by mode 0.3W

CONVENIENCE

- Auto-diagnosis mode
- 24H timer
- LED display
- Dual condensation drainage
- In-built Wi-Fi module
- Wireless controller
- Heating at -20°C

COMFORT

- 4D Airflow
- Vertical movement of the air louvers
- Horizontal movement of the air louvers
- Anti-Cold-Air mode
- Night mode

COMFORT

- I FEEL mode
- Turbo mode
- Auto mode
- Cooling mode
- Heating mode
- 8°C heating mode
- Dehumidification mode
- Quiet operation mode
- Fan mode
- Fast cooling/heating

TECHNOLOGY

- DC Inverter
- Drip tray heater of the outdoor unit
- Intelligent defrosting
- Fire-resistant electrical box
- Gold-coated outdoor unit fins
- Gold-coated indoor unit fins
- Hydrophilic aluminium blades
- Super EMC
- Automatic restart



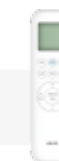
Q-Smart Plus II

QC Series

AUX-09/18/Q2C AUX-12/24QC



Model		AUX-09Q2C	AUX-12QC	AUX-18Q2C	AUX-24QC	
Cooling efficiency	[kW]	2,70 (0,60 - 3,80)	3,50 (0,80 - 4,10)	5,30 (1,30 - 5,70)	7,30 (1,80 - 7,40)	
Heating efficiency	[kW]	3,00 (0,80 - 4,20)	3,80 (1,00 - 4,10)	5,40 (1,30 - 5,50)	7,30 (1,80 - 8,00)	
Power supply	[V~,Hz,Ph]	220-240, 50, 1	220-240, 50, 1	220-240, 50, 1	220-240, 50, 1	
Operating current	Cooling	[A]	3,90	5,60	7,80	10,00
	Heating	[A]	3,70	4,90	6,50	9,50
Energy consumption	Cooling	[W]	830	1180	1650	2200
	Heating	[W]	800	1100	1470	2200
Maximum current draw	[A]	9,5	9,5	12,0	16,0	
Maximum power consumption	[W]	1800	1900	2500	3400	
SEER / SCOP	-	6,20 / 4,00	6,10 / 4,00	6,8 / 4,00	6,53 / 4,09	
Energy efficiency class	Cooling	-	A++	A++	A++	A++
	Heating	-	A+	A+	A+	A+
Indoor unit		AUX-09Q2C/I	AUX-12QC/I	AUX-18Q2C/I	AUX-24QC/I	
Airflow rate	[m³/h]	600	600	950	1300	
Sound pressure level	[dB(A)]	38/31/27/22/19	38/32/29/23/20	41/32/31/26/23	38/36/33/31/23	
Sound power level	[dB(A)]	44/40/39/31/24	44/40/36/32/23	43/40/37/35/30	48/43/40/37/28	
Dimensions of the indoor unit	[mm]	762 x 295 x 200	762 x 295 x 200	960 x 316 x 212	1089 x 328 x 227	
Weight of the indoor unit	[kg]	7,3	7,5	11,5	12,5	
Outdoor unit		AUX-09Q2C/O	AUX-12QC/O	AUX-18Q2C/O	AUX-24QC/O	
Refrigerant gas	Type	-	R32	R32	R32	R32
	Factory charge (up to 5m)	[g]	550	560	850	1300
	Additional charge	[g/m]	20	20	20	30
Sound pressure level	[dB(A)]	51	52	56	58	
Sound power level	[dB(A)]	64	64	62	66	
Dimensions of the outdoor unit	[mm]	710 x 280 x 530	710 x 280 x 530	785 x 300 x 555	900 x 350 x 700	
Weight of the outdoor unit	[kg]	21,5	22,5	27	39	
Operation of the ODU (outside temp.)	Cooling	[°C]	-10	-10	-10	-10
	Heating	[°C]	-20	-20	-20	-20
Pipe connections (diameter)	Liquid	[inches]	1/4	1/4	1/4	1/4
	Gas	[inches]	3/8	3/8	1/2	5/8
	Condensate	[mm]	16	16	16	18
Maximum piping length	[m]	20	20	25	25	
Maximum height difference	[m]	10	10	10	15	



Wireless controller
Type T



Air conditioning units contain fluorinated greenhouse gases R32.

We reserve the right to errors in descriptions, appearance, functions, technical parameters, and dimensional drawings resulting from the continuous improvement of our devices.

Q-Smart Eco

AUX-09/12/18/24QG



Q-Smart Eco air conditioners are economical units with a modern style and optimal performance parameters

Inverter technology and an A++ energy class guarantee high energy efficiency and reliability. As a basic model in the AUX residential range, the Q-Smart Eco units surprise with the number of features they offer – including self-cleaning, turbo mode, timer, „I FEEL” intelligent temperature sensing, ionizer, and Wi-Fi control.

R32

UV

A++

COOLING

A+

HEATING

AIR CONDITIONER

5

YEARS OF WARRANTY

COMPRESSOR

10

YEARS OF WARRANTY

HEALTH

- UV Sterilisation
- 57°C Sterilisation
- Self-cleaning mode
- Anti-mould mode
- High-density filter
- Antibacterial filter
- Additional air filter
- Washable air filter

ECOLOGY

- R32 Refrigerant
- Eco mode
- Stand-by mode 0.3W

CONVENIENCE

- Auto-diagnosis mode
- 24H timer
- LED display
- Dual condensation drainage
- In-built Wi-Fi module
- Wireless controller
- Heating at -15°C

COMFORT

- 4D Airflow
- Vertical movement of the air louvers
- Horizontal movement of the air louvers
- Anti-Cold-Air mode
- Night mode

COMFORT

- I FEEL mode
- Turbo mode
- Auto mode
- Cooling mode
- Heating mode
- 8°C heating mode
- Dehumidification mode
- Quiet operation mode
- Fan mode
- Fast cooling/heating

TECHNOLOGY

- DC Inverter
- Intelligent defrosting
- Fire-resistant electrical box
- Gold-coated outdoor unit fins
- Gold-coated indoor unit fins
- Hydrophilic aluminium blades
- Super EMC
- Automatic restart



Q-Smart Eco

QG Series

AUX-09/12/18/24QG



Model		AUX-09QG	AUX-12QG	AUX-18QG	AUX-24QG	
Cooling efficiency	[kW]	2,70 (0,60 - 3,80)	3,50 (0,80 - 4,10)	5,30 (1,30 - 5,70)	7,20 (1,80 - 7,30)	
Heating efficiency	[kW]	3,00 (0,80 - 4,20)	3,80 (1,00 - 4,20)	5,40 (1,30 - 5,50)	7,20 (1,80 - 7,40)	
Power supply	[V~,Hz,Ph]	220-240, 50, 1	220-240, 50, 1	220-240, 50, 1	220-240, 50, 1	
Operating current	Cooling	[A]	3,90 (0,70 - 7,80)	5,60 (0,70 - 7,80)	7,80 (2,20 - 9,30)	11,0 (1,50 - 13,00)
	Heating	[A]	3,70 (1,50 - 8,00)	4,90 (1,50 - 8,00)	6,50 (2,00 - 8,00)	10,0 (1,50 - 12,00)
Energy consumption	Cooling	[W]	830 (100 - 1600)	1180 (100 - 1600)	1650 (290 - 2100)	2300 (300 - 3400)
	Heating	[W]	800 (300 - 1600)	1100 (300 - 1600)	1470 (250 - 1800)	2300 (300 - 3400)
Maximum current draw	[A]	9,5	9,5	12,0	16,0	
Maximum power consumption	[W]	1800	1900	2500	3400	
SEER / SCOP	-	6,20 / 4,00	6,20 / 4,00	6,80 / 4,00	6,10 / 4,00	
Energy efficiency class	Cooling	-	A++	A++	A++	A++
	Heating	-	A+	A+	A+	A+
Indoor unit		AUX-09QG/I	AUX-12QG/I	AUX-18QG/I	AUX-24QG/I	
Airflow rate	[m³/h]	620/580/480/430	600/550/500/400	1230/1080/970/850	1300/1200/1010/870	
Sound pressure level	[dB(A)]	38/31/27/22/19	38/32/29/23/20	41/32/31/26/23	38/36/33/31/23	
Sound power level	[dB(A)]	44/40/39/31/24	44/40/36/32/23	43/40/37/35/30	48/43/40/37/28	
Dimensions of the indoor unit	[mm]	762 x 295 x 200	762 x 295 x 200	960 x 315 x 222	1089 x 328 x 227	
Weight of the indoor unit	[kg]	7,4	8,0	11,5	13,0	
Outdoor unit		AUX-09QG/O	AUX-12QG/O	AUX-18QG/O	AUX-24QG/O	
Refrigerant gas	Type	-	R32	R32	R32	R32
	Factory charge (up to 5m)	[g]	550	560	850	1300
	Additional charge	[g/m]	20	20	20	30
Sound pressure level	[dB(A)]	51	52	53	58	
Sound power level	[dB(A)]	61	62	62	63	
Dimensions of the outdoor unit	[mm]	710 x 280 x 530	710 x 280 x 530	785 x 300 x 555	900 x 350 x 700	
Weight of the outdoor unit	[kg]	21,5	21,0	27,0	31,5	
Operation of the ODU (outside temp.)	Cooling	[°C]	-10	-10	-10	-10
	Heating	[°C]	-15	-15	-15	-15
Pipe connections (diameter)	Liquid	[inches]	1/4	1/4	1/4	1/4
	Gas	[inches]	3/8	3/8	1/2	5/8
	Condensate	[mm]	16	16	16	18
Maximum piping length	[m]	20	20	20	25	
Maximum height difference	[m]	10	10	10	15	



Wireless controller Type T



Air conditioning units contain fluorinated greenhouse gases R32.

We reserve the right to errors in descriptions, appearance, functions, technical parameters, and dimensional drawings resulting from the continuous improvement of our devices.

Q-Smart Premium Grey

AUX-09/12/18/24QB



Q-Smart Premium Grey combines health-promoting features, advanced technology, and an exceptionally stylish casing in a unique grey finish

The elegant graphite casing, resembling chrome silver, is a great choice for those seeking unconventional colour variants. This model will be a bold colour accent, adding character to any interior.



HEALTH



UV Sterilisation



57°C Sterilisation



Self-cleaning mode



Anti-mould mode



High-density filter



Antibacterial filter



PM 2.5 filter



Additional air filter



Washable air filter

ECOLOGY



R32 Refrigerant



Eco mode



Stand-by mode 0.3W

CONVENIENCE



Auto-diagnosis mode



24H timer



LED display



Dual condensation drainage



In-built Wi-Fi module



Wireless controller



Heating at -22°C

COMFORT



4D Airflow



Vertical movement of the air louvers



Horizontal movement of the air louvers



Anti-Cold-Air mode



Night mode

COMFORT



I FEEL mode



Turbo mode



Auto mode



Cooling mode



Heating mode



8°C heating mode



Dehumidification mode



Quiet operation mode



Fan mode



Easy and quick installation

TECHNOLOGY



Inverter technology



Drip tray heater of the outdoor unit



Intelligent defrosting



Fire-resistant electrical box



Gold-coated outdoor unit fins



Gold-coated indoor unit fins



Hydrophilic aluminium blades



Super EMC



Automatic restart



Q-Smart Premium Grey

QB Series

AUX-09/12/18/24QB



Model		AUX-09QB	AUX-12QB	AUX-18QB	AUX-24QB	
Cooling efficiency	[kW]	2,70 (0,60 - 3,80)	3,50 (0,80 - 4,10)	5,40 (1,30 - 5,80)	6,70 (1,80 - 7,40)	
Heating efficiency	[kW]	3,00 (0,80 - 4,20)	3,80 (1,00 - 4,20)	5,60 (1,30 - 6,00)	7,20 (1,80 - 8,20)	
Power supply	[V~,Hz,Ph]	220-240, 50, 1	220-240, 50, 1	220-240, 50, 1	220-240, 50, 1	
Operating current	Cooling	[A]	3,80	5,60	7,50	10,00
	Heating	[A]	4,10	4,90	7,00	9,50
Energy consumption	Cooling	[W]	800	1180	1700	2200
	Heating	[W]	850	1100	1600	2200
Maximum current draw	[A]	9,5	9,5	12,0	16,0	
Maximum power consumption	[W]	1900	1900	2400	3400	
SEER / SCOP	-	6,1 / 4,0	6,1 / 4,0	7,3 / 4,3	6,1 / 4,0	
Energy efficiency class	Cooling	-	A++	A++	A++	A++
	Heating	-	A+	A+	A+	A+
Indoor unit		AUX-09QB/I	AUX-12QB/I	AUX-18QB/I	AUX-24QB/I	
Airflow rate	[m³/h]	600	600	950	1300	
Sound pressure level	[dB(A)]	38/31/27/22/19	38/32/29/23/20	41/32/31/26/23	38/36/33/31/23	
Sound power level	[dB(A)]	44/40/39/31/24	44/40/36/32/23	43/40/37/35/30	48/43/40/37/28	
Dimensions of the indoor unit	[mm]	761 x 296 x 198	761 x 296 x 198	960 x 315 x 220	1089 x 327 x 225	
Weight of the indoor unit	[kg]	7,5	7,5	11,0	12,5	
Outdoor unit		AUX-09QB/O	AUX-12QB/O	AUX-18QB/O	AUX-24QB/O	
Refrigerant gas	Type	-	R32	R32	R32	R32
	Factory charge (up to 5m)	[g]	560	560	1030	1300
	Additional charge	[g/m]	15	15	20	30
Sound pressure level	[dB(A)]	52	52	56	58	
Sound power level	[dB(A)]	64	64	62	66	
Dimensions of the outdoor unit	[mm]	710 x 280 x 530	710 x 280 x 530	785 x 300 x 555	900 x 350 x 700	
Weight of the outdoor unit	[kg]	22,5	22,5	28	39	
Operation of the ODU (outside temp.)	Cooling	[°C]	-10	-10	-10	-10
	Heating	[°C]	-22	-22	-22	-22
Pipe connections (diameter)	Liquid	[inches]	1/4	1/4	1/4	1/4
	Gas	[inches]	3/8	3/8	1/2	5/8
	Condensate	[mm]	16	16	16	18
Maximum piping length	[m]	20	20	20	25	
Maximum height difference	[m]	10	10	10	15	



Wireless controller Type T



Air conditioning units contain fluorinated greenhouse gases R32.

We reserve the right to errors in descriptions, appearance, functions, technical parameters, and dimensional drawings resulting from the continuous improvement of our devices.

J-Smart

AUX-09/12/18/24J20



The J-Smart series features innovative design solutions and minimalist, unique aesthetics

The units feature, among others, a reinforced, mechanically resistant casing with a removable lower cover, patented vertical air louvers shaped like fish fins, and a dual-layer horizontal air louver that perfectly adjusts the airflow direction to the device's operating mode. The white casing with a simple form and matte finish aligns well with current design trends.



HEALTH							ECOLOGY				
UV Sterilisation	57°C Sterilisation	Self-cleaning mode	Anti-mould mode	High-density filter	Antibacterial filter	PM 2.5 filter	Additional air filter	Washable air filter	R32 Refrigerant	Eco mode	Stand-by mode 0,3W
CONVENIENCE						COMFORT					
Auto-diagnosis mode	24H timer	LED display	Dual condensation drainage	In-built Wi-Fi module	Wireless controller	Heating at -22°C	4D Airflow	Vertical movement of the air louvers	Horizontal movement of the air louvers	Anti-Cold-Air mode	Night mode
COMFORT											
I FEEL mode	Turbo mode	Auto mode	Cooling mode	Heating mode	8°C heating mode	Dehumidification mode	Quiet operation mode	Fan mode			
TECHNOLOGY											
DC INVERTER	Drip tray heater of the outdoor unit	Intelligent defrosting	Fire-resistant electrical box	Gold-coated outdoor unit fins	Gold-coated indoor unit fins	Hydrophilic aluminium blades	SUPER EMC	Automatic restart			



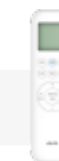
J-Smart

J20 Series

AUX-09/12/18/24J20



Model		AUX-09J20	AUX-12J20	AUX-18J20	AUX-24J20	
Cooling efficiency	[kW]	2,70 (0,60 - 3,80)	3,50 (0,80 - 4,10)	5,30 (1,30 - 5,90)	7,20 (1,80 - 7,40)	
Heating efficiency	[kW]	3,00 (0,80 - 4,20)	3,80 (1,00 - 4,20)	5,60 (1,30 - 6,00)	7,20 (1,80 - 8,00)	
Power supply	[V~,Hz,Ph]	220-240, 50, 1	220-240, 50, 1	220-240, 50, 1	220-240, 50, 1	
Operating current	Cooling	[A]	3,80	5,60	7,50	10,00
	Heating	[A]	4,10	4,90	7,00	9,50
Energy consumption	Cooling	[W]	800	1180	1580	2200
	Heating	[W]	850	1100	1550	2200
Maximum current draw	[A]	9,5	9,5	12,0	16,0	
Maximum power consumption	[W]	1900	1900	2400	3400	
SEER / SCOP	-	6,20 / 4,00	6,19 / 4,03	7,00 / 4,19	6,53 / 4,09	
Energy efficiency class	Cooling	-	A++	A++	A++	A++
	Heating	-	A+	A+	A+	A+
Indoor unit		AUX-09J20/I	AUX-12J20/I	AUX-18J20/I	AUX-24J20/I	
Airflow rate	[m³/h]	600	600	850	1300	
Sound pressure level	[dB(A)]	38/31/27/22/19	38/32/29/23/20	41/32/31/26/23	38/36/33/31/23	
Sound power level	[dB(A)]	44/40/36/31/24	44/40/36/32/23	47/43/40/35/30	48/43/40/37/28	
Dimensions of the indoor unit	[mm]	790 x 292 x 206	790 x 292 x 206	939 x 316 x 226	1126 x 329 x 232	
Weight of the indoor unit	[kg]	8,5	8,5	11,5	14,0	
Outdoor unit		AUX-09J20/O	AUX-12J20/O	AUX-18J20/O	AUX-24J20/O	
Refrigerant gas	Type	-	R32	R32	R32	R32
	Factory charge (up to 5m)	[g]	560	560	1030	1300
	Additional charge	[g/m]	15	15	25	25
Sound pressure level	[dB(A)]	55	56	56	58	
Sound power level	[dB(A)]	61	62	62	66	
Dimensions of the outdoor unit	[mm]	710 x 280 x 530	710 x 280 x 530	785 x 300 x 555	900 x 350 x 700	
Weight of the outdoor unit	[kg]	22,5	22,5	28,0	49,0	
Operation of the ODU (outside temp.)	Cooling	[°C]	-10	-10	-10	-10
	Heating	[°C]	-22	-22	-22	-22
Pipe connections (diameter)	Liquid	[inches]	1/4	1/4	1/4	1/4
	Gas	[inches]	3/8	3/8	1/2	5/8
	Condensate	[mm]	16	16	16	18
Maximum piping length	[m]	20	20	25	25	
Maximum height difference	[m]	10	10	15	15	



Wireless controller Type T



Air conditioning units contain fluorinated greenhouse gases R32. We reserve the right to errors in descriptions, appearance, functions, technical parameters, and dimensional drawings resulting from the continuous improvement of our devices.

J-Smart Art

AUX-09/12/18/24JP



The J-Smart Art units combine innovative construction with stunning design

The J-Smart ART series air conditioners feature a refined, modern design. The sleek, elegant black casing perfectly complements any interior décor. The matte surface of the main unit is paired with a luxurious mirrored front panel. The minimalist style, with its attention to subtle details, is enhanced by a hidden LED display that is visible only when the air conditioner is turned on.

R32

UV

A++

COOLING

A+

HEATING

AIR CONDITIONER

5

YEARS OF WARRANTY

COMPRESSOR

10

YEARS OF WARRANTY



HEALTH

- UV Sterilisation
- 57°C Sterilisation
- Self-cleaning mode
- Anti-mould mode
- High-density filter
- Antibacterial filter
- PM 2.5 filter
- Additional air filter
- Washable air filter

ECOLOGY

- R32 Refrigerant
- Eco mode
- Stand-by mode 0.3W

CONVENIENCE

- Auto-diagnosis mode
- 24H timer
- LED display
- Dual condensation drainage
- In-built Wi-Fi module
- Wireless controller
- Heating at -22°C

COMFORT

- 4D Airflow
- Vertical movement of the air louvers
- Horizontal movement of the air louvers
- Anti-Cold-Air mode
- Night mode

COMFORT

- I FEEL mode
- Turbo mode
- Auto mode
- Cooling mode
- Heating mode
- 8°C heating mode
- Dehumidification mode
- Quiet operation mode
- Fan mode

TECHNOLOGY

- DC Inverter
- Drip tray heater of the outdoor unit
- Intelligent defrosting
- Fire-resistant electrical box
- Gold-coated outdoor unit fins
- Gold-coated indoor unit fins
- Hydrophilic aluminium blades
- Super EMC
- Automatic restart



J-Smart Art

JP Series

AUX-09/12/18/24JP



Model		AUX-09JP	AUX-12JP	AUX-18JP	AUX-24JP	
Cooling efficiency	[kW]	2,70 (0,60 - 3,80)	3,50 (0,80 - 4,10)	5,30 (1,30 - 5,90)	7,20 (1,80 - 7,40)	
Heating efficiency	[kW]	3,00 (0,80 - 4,20)	3,80 (1,00 - 4,20)	5,60 (1,30 - 6,00)	7,20 (1,80 - 8,00)	
Power supply	[V~,Hz,Ph]	220-240, 50, 1	220-240, 50, 1	220-240, 50, 1	220-240, 50, 1	
Operating current	Cooling	[A]	3,80	5,60	7,50	10,00
	Heating	[A]	4,10	4,90	7,00	9,50
Energy consumption	Cooling	[W]	800	1180	1580	2200
	Heating	[W]	850	1100	1550	2200
Maximum current draw	[A]	9,5	9,5	12,0	16,0	
Maximum power consumption	[W]	1900	1900	2400	3400	
SEER / SCOP	-	6,20 / 4,00	6,19 / 4,03	7,00 / 4,19	6,53 / 4,09	
Energy efficiency class	Cooling	-	A++	A++	A++	A++
	Heating	-	A+	A+	A+	A+
Indoor unit		AUX-09JP/I	AUX-12JP/I	AUX-18JP/I	AUX-24JP/I	
Airflow rate	[m³/h]	600	600	850	1300	
Sound pressure level	[dB(A)]	38/31/27/22/19	38/32/29/23/20	41/32/31/26/23	38/36/33/31/23	
Sound power level	[dB(A)]	44/40/36/31/24	44/40/36/32/23	47/43/40/35/30	48/43/40/37/28	
Dimensions of the indoor unit	[mm]	806 x 291 x 220	806 x 291 x 220	951 x 316 x 234	1151 x 329 x 245	
Weight of the indoor unit	[kg]	8,5	8,5	11,5	14,0	
Outdoor unit		AUX-09JP/O	AUX-12JP/O	AUX-18JP/O	AUX-24JP/O	
Refrigerant gas	Type	-	R32	R32	R32	R32
	Factory charge (up to 5m)	[g]	560	560	1030	1300
	Additional charge	[g/m]	15	15	25	25
Sound pressure level	[dB(A)]	55	56	56	58	
Sound power level	[dB(A)]	61	62	62	66	
Dimensions of the outdoor unit	[mm]	710 x 280 x 530	710 x 280 x 530	785 x 300 x 555	900 x 350 x 700	
Weight of the outdoor unit	[kg]	22,5	22,5	28,0	49,0	
Operation of the ODU (outside temp.)	Cooling	[°C]	-10	-10	-10	-10
	Heating	[°C]	-22	-22	-22	-22
Pipe connections (diameter)	Liquid	[inches]	1/4	1/4	1/4	1/4
	Gas	[inches]	3/8	3/8	1/2	5/8
	Condensate	[mm]	16	16	16	18
Maximum piping length	[m]	20	20	25	25	
Maximum height difference	[m]	10	10	15	15	

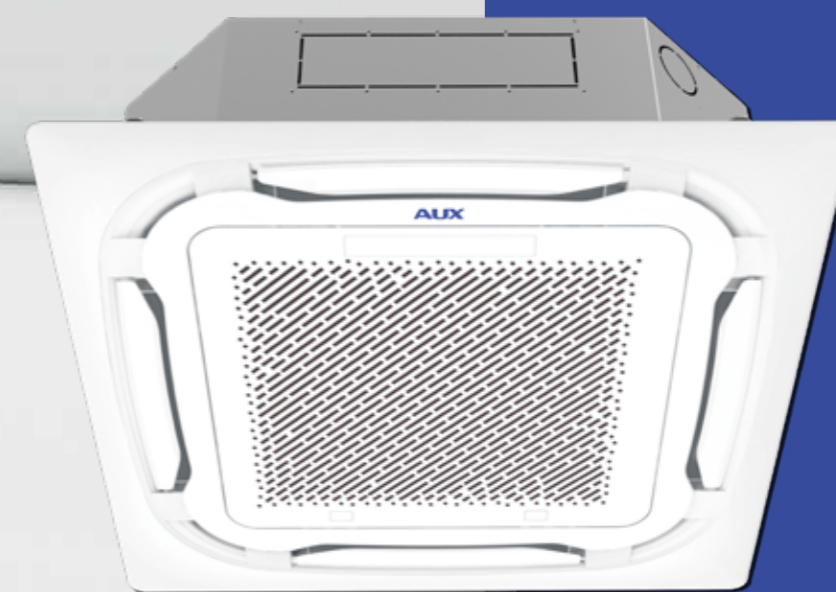


Wireless controller Type T



Air conditioning units contain fluorinated greenhouse gases R32.
We reserve the right to errors in descriptions, appearance, functions, technical parameters, and dimensional drawings resulting from the continuous improvement of our devices.

AUX
AIR CONDITIONER


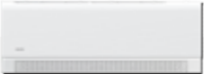






multi
air conditioners

Overview of functions

				
	Freedom	J-Smart	J-Smart Art	Q-Smart Premium
HEALTH				
UV Sterilisation				
Cold Plasma Ioniser		●	●	●
Self-cleaning mode		●	●	●
Anti-mould mode		●	●	●
Antibacterial filter		●	●	●
PM 2.5 filter		●	●	●
Washable air filter		●	●	●
Durable air filter				
Additional air filter		●	●	●
CONVENIENCE				
Auto-diagnosis mode		●	●	●
24H timer		●	●	●
LED display		●	●	●
Dual condensation drainage		●	●	●
In-built Wi-Fi module		●	●	●
Wireless controller		●	●	●
Wired controller				
ECOLOGY				
R32 Refrigerant		●	●	●
Stand-by mode 0,3W		●	●	●
Eco mode			●	●

We reserve the right to errors in descriptions, appearance, functions, technical parameters, and dimensional drawings resulting from the continuous improvement of our devices.

						
	Q-Smart Premium Grey	C-Smart	Floor-ceiling	Cassette	Ducted	Console
HEALTH						
UV Sterilisation		●				
Cold Plasma Ioniser	●					
Self-cleaning mode	●	●				
Anti-mould mode	●	●				
Antibacterial filter	●	●				
PM 2.5 filter	●	●				
Washable air filter	●	●		●		●
Durable air filter			●		●	●
Additional air filter	●	●				
CONVENIENCE						
Auto-diagnosis mode	●	●				
24H timer	●	●	●	●	●	●
LED display	●	●				
Dual condensation drainage	●	●				
In-built Wi-Fi module	●	●				
Wireless controller	●	●	●	●		●
Wired controller					●	
ECOLOGY						
R32 Refrigerant	●	●	●	●	●	●
Stand-by mode 0,3W	●	●				
Eco mode	●	●				

We reserve the right to errors in descriptions, appearance, functions, technical parameters, and dimensional drawings resulting from the continuous improvement of our devices.

Overview of functions



COMFORT					
		Freedom	J-Smart	J-Smart Art	Q-Smart Premium
4D airflow		●	●	●	●
Vertical movement of the air louvers		●	●	●	●
Horizontal movement of the air louvers		●	●	●	●
Anti-Cold-Air mode		●	●	●	●
Night mode		●	●	●	●
I FEEL mode		●	●	●	●
Turbo mode	Turbo	●	●	●	●
Auto mode	AUTO	●	●	●	●
Cooling mode		●	●	●	●
Heating mode		●	●	●	●
Fast cooling / heating					
Dehumidification mode		●	●	●	●
Fan mode		●	●	●	●
Easy and quick installation			●	●	



We reserve the right to errors in descriptions, appearance, functions, technical parameters, and dimensional drawings resulting from the continuous improvement of our devices.



COMFORT						
	Q-Smart Premium Grey	C-Smart	Floor-ceiling	Cassette	Ducted	Console
4D airflow	●	●				
Vertical movement of the air louvers	●	●	●	●		●
Horizontal movement of the air louvers	●	●				
Anti-Cold-Air mode	●	●	●	●	●	●
Night mode	●	●	●	●	●	●
I FEEL mode	●	●	●	●	●	●
Turbo mode	●	●	●	●	●	●
Auto mode	●	●	●	●	●	●
Cooling mode	●	●	●	●	●	●
Heating mode	●	●	●	●	●	●
Fast cooling / heating			●	●	●	●
Dehumidification mode	●	●	●	●	●	●
Fan mode	●	●	●	●	●	●
Easy and quick installation		●				



We reserve the right to errors in descriptions, appearance, functions, technical parameters, and dimensional drawings resulting from the continuous improvement of our devices.

Overview of functions



TECHNOLOGY					
		Freedom	J-Smart	J-Smart Art	Q-Smart Premium
Inverter technology		●	●	●	●
Intelligent defrosting		●	●	●	●
Gold-coated fins of the outdoor exchanger			●	●	●
Gold-coated fins of the indoor exchanger			●	●	●
Hydrophilic aluminium fins		●	●	●	●
Super EMC		●	●	●	●
Automatic restart		●	●	●	●
Cooling in low temperatures					




TECHNOLOGY						
	Q-Smart Premium Grey	C-Smart	Floor-ceiling	Cassette	Ducted	Console
Inverter technology	●	●	●	●	●	●
Intelligent defrosting	●	●	●	●	●	●
Gold-coated fins of the outdoor exchanger	●	●				
Gold-coated fins of the indoor exchanger	●	●				
Hydrophilic aluminium fins	●	●	●	●	●	●
Super EMC	●	●	●	●	●	●
Automatic restart	●	●	●	●	●	●
Cooling in low temperatures			●	●	●	●



descriptions
of functions

R32 ECO-FRIENDLY REFRIGERANT

 **Safe,
eco-friendly,
highly efficient**

All AUX air conditioning units in the Multi series operate using the latest eco-friendly R32 refrigerant, which, compared to the commonly used R410A, offers higher efficiency and a lower global warming potential. It also does not damage the ozone layer.

CARING FOR OUR PLANET



HIGH ENERGY EFFICIENCY



A++

A+

Guarantee of energy-efficient operation

Thanks to the use of a high-efficiency DC inverter compressor, an adjustable fan motor, and advanced vector control technology with a 180° sine wave, AUX commercial systems achieve high energy efficiency, ensuring reliable and effective operation with low energy consumption. All units in the Multi series have an A++ energy efficiency class in cooling mode and A+ in heating mode.

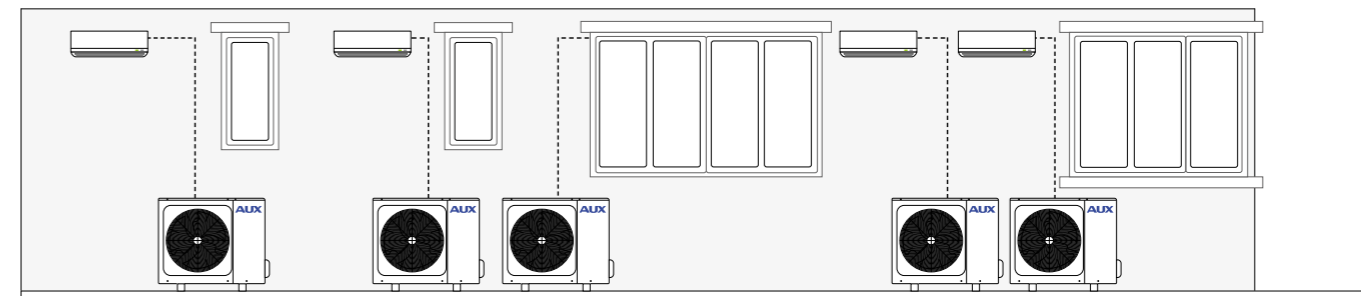
MULTI SPLIT SYSTEMS

SPACE-SAVING INSTALLATION AND HIGH FLEXIBILITY

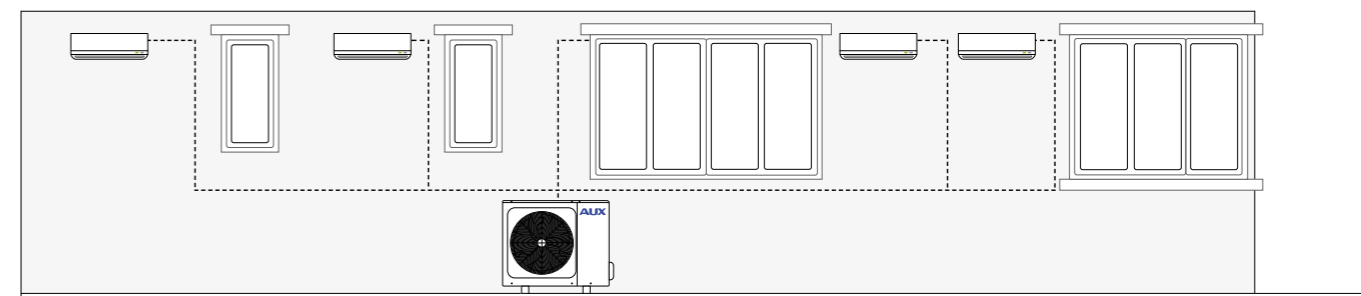
The AUX multi-split system allows the connection of 2 to 5 indoor units to a single outdoor unit. This reduces the number of outdoor units needed compared to single systems, resulting in significant space savings on building façades, rooftops, and balconies. Additionally, the units do not need to be installed simultaneously – the system can be expanded over time with new indoor units, maintaining the appropriate performance parameters of each component in the air conditioning system.

Flexible air conditioning solutions for multiple rooms

The AUX multi-split system allows the installation of 2 to 5 indoor units connected to a single outdoor unit. There are 6 models of outdoor units available, with cooling capacities ranging from 4.1 to 12.0 kW. The units operate using the eco-friendly R32 refrigerant and modern inverter technology, ensuring reliability and energy efficiency. They provide stable operation across a wide range of outdoor temperatures, from -15°C to 52°C in cooling mode and from -22°C to 24°C in heating mode. The system allows for refrigeration installations with a total length of up to 80 meters, depending on the outdoor unit's capacity, and elevation differences of up to 15 meters.



Five indoor units in a single split system

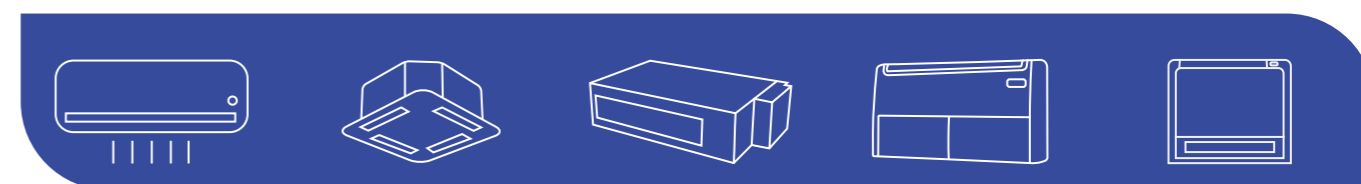


Five indoor units in a multi-split system

Wide range of indoor units

The AUX multi-range series offers up to 10 types of indoor units – cassette, ducted, floor-ceiling, console-type, and three models of stylish wall-mounted units (Freedom, J-Smart, J-Smart Art, Q-Smart Premium, Q-Smart

Premium Grey, C-Smart). They are available in various cooling capacities, ranging from 2.05 to 7.03 kW. This wide selection allows for optimal matching of units to the size and character of the room as well as user needs.



Wall-mounted units

Cassette units

Ducted units

Floor-ceiling units

Console units

Freedom, J-Smart, J-Smart Art, Q-Smart Premium, Q-Smart Premium Grey, C-Smart

MULTI SPLIT SYSTEMS

HIGH-QUALITY INVERTER COMPRESSOR

Guarantee of energy efficiency and reliability

The inverter rotary compressor used in AUX air conditioners ensures reliable and efficient operation of the units, delivering the highest energy efficiency. It also provides low operating costs and minimal noise levels. The durable, high-quality materials used in the compressor's construction contribute to its long-lasting and trouble-free performance.



RELIABLE OPERATION EVEN IN HARSH EXTERNAL CONDITIONS

Drip tray heater of the outdoor unit

Efficient operation in heating mode

The outdoor units from the AUX multi-split air conditioner series are equipped with drip tray heaters, which allow the devices to operate efficiently in heating mode even in freezing temperatures, protecting the heat exchanger from freezing.



Corrosion-resistant outdoor unit casing

Longer lifespan and aesthetics

The outdoor unit casing is covered with a series of protective layers that safeguard it against insects, rodents, moisture, dust, and fire. This ensures the device's long lifespan and maintains its aesthetic appearance, even after years of exposure to harsh environmental conditions.



Wide operating range

AUX Multi split air conditioning systems are characterized by reliable, stable performance even in extreme ambient temperatures. Thanks to the use of modern technologies and high-quality components, AUX devices can operate in a wide range of outdoor temperatures, from -15°C to 52°C in cooling mode and from -20°C to 24°C in heating mode, ensuring a high level of comfort in air-conditioned rooms all year round.

MULTI SPLIT SYSTEMS

Effective operation in low ambient temperatures

The air conditioner activates the defrost mode only when necessary and only for the time needed to defrost the heat exchanger, which allows for nearly uninterrupted operation in heating mode. The intelligent defrosting system used in AUX air conditioners improves energy efficiency by 5% and increases heating efficiency by as much as 20% in low external temperatures.

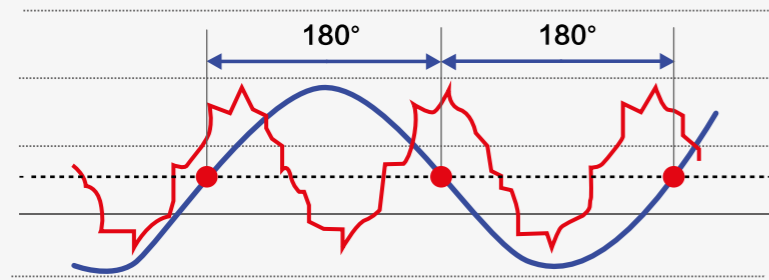
INTELLIGENT DEFROSTING



Control using 180° sinusoidal

Smooth and efficient compressor operation

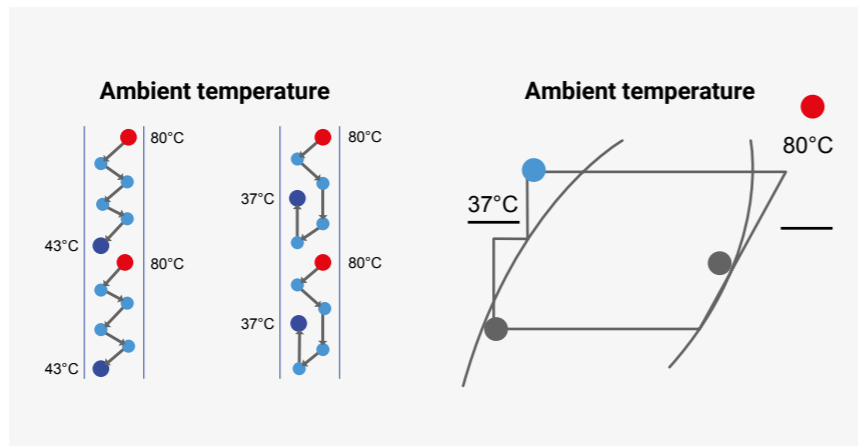
The DC inverter compressor uses 180° sinusoidal control. This technology ensures the smooth operation of the compressor motor, significantly increasing its efficiency.



Optimised piping design

Enhanced cooling performance

The design provides additional cooling and enhances cooling performance by separating the refrigerant inlet and outlet.



Outdoor units

Multi Split

AUX-M2-(14/18)LCLH, AUX-M3-21LCLH

Model		AUX-M2-14LCLH	AUX-M2-18LCLH	AUX-M3-21LCLH	
Maximum number of indoor units		2	2	3	
Cooling efficiency	[kW]	4,10 (1,80 - 4,51)	5,30 (2,00 - 5,83)	6,20 (2,20 - 6,71)	
	[Btu/h]	13989 (6142 - 15388)	18084 (6824 - 19892)	21154 (7506 - 22895)	
Heating efficiency	[kW]	4,50 (2,05 - 5,28)	5,60 (2,21 - 6,16)	6,60 (2,39 - 7,26)	
	[Btu/h]	15354 (6995 - 18015)	19107 (7541 - 21017)	22519 (8155 - 24771)	
Power supply	[V~,Hz,Ph]	220-240, 50, 1	220-240, 50, 1	220-240, 50, 1	
Power consumption in cooling mode	[W]	1240 (198-2100)	1640 (280 - 2300)	1920 (350 - 2800)	
Power consumption in heating mode	[W]	1150 (198-2100)	1480 (280 - 2300)	1780 (350 - 2800)	
Power consumption (cooling / heating)	[A]	5,39 / 5,00	7,13 / 6,43	8,30 / 7,74	
Maximum current draw	[A]	12,0	13,0	14,0	
Maximum power consumption	[kW]	2,76	3,00	3,00	
SEER / SCOP	-	6,15 / 4,12	6,13 / 4,09	6,13 / 4,19	
EER / COP	-	3,31 / 3,91	3,23 / 3,78	3,23 / 3,71	
Energy efficiency class	Cooling	-	A++	A++	
	Heating	-	A+	A+	
Compressor type	-	rotary	rotary	rotary	
Airflow rate	[m³/h]	2600	2600	4100	
Sound pressure level	[dB(A)]	53	54	56	
Sound power level	[dB(A)]	65	65	66	
Unit dimensions (width x depth x height)	[mm]	785 x 300 x 555	785 x 300 x 555	900 x 350 x 700	
Weight of the unit (net)	[kg]	30,0	30,0	41,5	
Refrigerant gas	Type	-	R32	R32	
	Factory charge (up to 7.5m)	[kg]	1,00	1,03	1,15
	Additional charge	[g/m]	25	25	25
Pipe connections (diameter)	Liquid pipe	[mm(inch)]	2 x 6,35 (1/4)	2 x 6,35 (1/4)	3 x 6,35 (1/4)
	Gas pipe	[mm(inch)]	2 x 9,52 (3/8)	2 x 9,52 (3/8)	3 x 9,52 (3/8)
Maximum installation length	Total installation length	[m]	30	30	50
	For a single indoor unit	[m]	20	20	25
Maximum height differences	Between the outdoor unit and the indoor unit	[m]	10	10	10
	Between indoor units	[m]	10	10	10
Operation of the ODU (outdoor temperature)	Cooling	[°C]	-15~52	-15~52	-15~52
	Heating	[°C]	-22~24	-22~24	-22~24



Air conditioning units contain fluorinated greenhouse gases R32. We reserve the right to errors in descriptions, appearance, functions, technical parameters, and dimensional drawings resulting from the continuous improvement of our devices.

Outdoor units

Multi Split

AUX-M3-27LCLH, AUX-M4-(28/36)LCLH, AUX-M5-42LCLH

Model		AUX-M3-27LCLH	AUX-M4-28LCLH	AUX-M4-36LCLH	AUX-M5-42LCLH	
Maximum number of indoor units		3	4	4	5	
Cooling efficiency	[kW]	7,90 (2,30 - 8,69)	8,20 (2,50 - 10,26)	10,50 (2,5 - 11,00)	12,00 (2,77 - 12,70)	
	[Btu/h]	26955 (7848 - 29650)	27978 (8530 - 35007)	35826 (8530 - 37532)	40944 (9451 - 43332)	
Heating efficiency	[kW]	8,20 (2,45 - 9,02)	8,79 (2,67 - 10,14)	11,00 (2,67 - 11,20)	13,00 (2,96 - 13,10)	
	[Btu/h]	27978 (8359 - 30776)	29991 (9110 - 34598)	37532 (9110 - 38214)	44356 (10100 - 44800)	
Power supply	[V~,Hz,Ph]	220-240, 50, 1	220-240, 50, 1	220-240, 50, 1	220-240, 50, 1	
Power consumption in cooling mode	[W]	2440 (560 - 3400)	2500 (270 - 3340)	3950 (680 - 4930)	4450 (750 - 5450)	
Power consumption in heating mode	[W]	2210 (560 - 3400)	2200 (340 - 3100)	3150 (530 - 3850)	3750 (600 - 4350)	
Power consumption (cooling / heating)	[A]	10,61 / 9,61	10,90 / 9,80	17,50 / 13,96	19,72 / 16,62	
Maximum current draw	[A]	16,5	19,0	23,5	24,5	
Maximum power consumption	[kW]	3,8	4,3	5,3	5,6	
SEER / SCOP	-	6,19 / 4,08	6,12 / 4,10	6,15 / 4,12	6,14 / 4,04	
EER / COP	-	3,23 / 3,71	3,28 / 4,00	2,66 / 3,49	2,70 / 3,47	
Energy efficiency class	Cooling	-	A++	A++	A++	
	Heating	-	A+	A+	A+	
Compressor type	-	rotary	rotary	rotary	rotary	
Airflow rate	[m³/h]	4100	4000	4000	4200	
Sound pressure level	[dB(A)]	57	59	61	61	
Sound power level	[dB(A)]	67	70	70	70	
Unit dimensions (width x depth x height)	[mm]	900 x 350 x 700	985 x 395 x 808	985 x 395 x 808	985 x 395 x 808	
Weight of the unit (net)	[kg]	44,5	65,5	74,0	75,0	
Refrigerant gas	Type	-	R32	R32	R32	
	Factory charge (up to 7.5m)	[kg]	1,45	2,05	2,30	2,30
	Additional charge	[g/m]	25	15	25	25
Pipe connections (diameter)	Liquid pipe	[mm(inch)]	3 x 6,35 (1/4)	4 x 6,35 (1/4)	4 x 6,35 (1/4)	5 x 6,35 (1/4)
	Gas pipe	[mm(inch)]	3 x 9,52 (3/8)	4 x 9,52 (3/8)	4 x 9,52 (3/8)	5 x 9,52 (3/8)
Maximum installation length	Total installation length	[m]	50	70	70	70
	For a single indoor unit	[m]	25	30	30	30
Maximum height differences	Between the outdoor unit and the indoor unit	[m]	10	10	10	10
	Between indoor units	[m]	10	10	10	10
Operation of the ODU (outdoor temperature)	Cooling	[°C]	-15~52	-15~52	-15~52	-15~52
	Heating	[°C]	-22~24	-22~24	-22~24	-22~24



Air conditioning units contain fluorinated greenhouse gases R32. We reserve the right to errors in descriptions, appearance, functions, technical parameters, and dimensional drawings resulting from the continuous improvement of our devices.

Multi combination tables

Outdoor units	Suggested sets	
AUX-M2-14LCLH 1 for 2	1 unit	2 units
	7	7+7 9+12
	9	7+9
	12	7+12
	18	9+9

Outdoor units	Suggested sets	
AUX-M2-18LCLH 1 for 2	1 unit	2 units
	7	7+7 9+9
	9	7+9 9+12
	12	7+12 9+18
	18	7+18 12+12

Outdoor units	Suggested sets		
AUX-M3-21LCLH 1 for 3	1 unit	2 units	3 units
	18	7+7 9+12	7+7+7 7+12+12
	-	7+9 9+18	7+7+9 9+9+9
	-	7+12 12+12	7+7+12 9+9+12
	-	7+18 12+18	7+9+9 -
	-	9+9 -	7+9+12 -

Outdoor units	Suggested sets		
AUX-M3-27LCLH 1 for 3	1 unit	2 units	3 units
	18	7+7 12+12	7+7+7 7+12+12
	-	7+9 12+18	7+7+9 9+9+9
	-	7+12 18+18	7+7+12 9+9+12
	-	7+18 -	7+7+18 9+12+12
	-	9+9 -	7+9+9 9+12+18
	-	9+12 -	7+9+12 12+12+12
	-	9+18 -	7+9+18 -

Outdoor units	Suggested sets				
AUX-M4-28LCLH 1 for 4	1 unit	2 units		3 units	
	24	7+7 9+18	7+7+7 7+12+12	12+12+12	
	-	7+9 9+24	7+7+9 7+12+18	12+12+18	
	-	7+12 12+12	7+7+12 9+9+9	-	
	-	7+18 12+18	7+7+18 9+9+12	-	
	-	7+24 12+24	7+9+9 9+9+18	-	
	-	9+9 18+18	7+9+12 9+12+12	-	
	-	9+12 -	7+9+18 9+12+18	-	
			4 units		
		7+7+7+7	7+7+12+12	-	-
		7+7+7+9	7+9+9+9	-	-
		7+7+7+12	7+9+9+12	-	-
		7+7+7+18	7+9+12+12	-	-
		7+7+9+9	9+9+9+9	-	-
		7+7+9+12	9+9+9+12	-	-
		7+7+9+18	9+9+12+12	-	-

We reserve the right to errors in descriptions, appearance, functions, technical parameters, and dimensional drawings resulting from the continuous improvement of our devices.

Multi combination tables

Outdoor units	Suggested sets				
AUX-M4-36LCLH 1 for 4	1 unit	2 units		3 units	
	24	7+7 9+24	7+7+7 7+9+24	9+9+18 12+12+18	
	-	7+9 12+12	7+7+9 7+12+12	9+9+24 12+12+24	
	-	7+12 12+18	7+7+12 7+12+18	9+12+12 12+18+18	
	-	7+18 12+24	7+7+18 7+12+24	9+12+18 12+18+24	
	-	7+24 18+18	7+7+24 7+18+18	9+12+24 18+18+18	
	-	9+9 18+24	7+9+9 7+18+24	9+18+18	-
	-	9+12 24+24	7+9+12 9+9+9	9+18+24	-
	-	9+18 -	7+9+18 9+9+12	12+12+12	-

4 units				
	7+7+7+7	7+7+9+18	7+9+9+12	7+12+12+12 9+9+12+18
	7+7+7+9	7+7+9+24	7+9+9+18	7+12+12+18 9+9+12+24
	7+7+7+12	7+7+12+12	7+9+9+24	9+9+9+9 9+9+18+18
	7+7+7+18	7+7+12+18	7+9+12+12	9+9+9+12 9+12+12+12
	7+7+7+24	7+7+12+24	7+9+12+18	9+9+9+18 9+12+12+18
	7+7+9+9	7+7+18+18	7+9+12+24	9+9+9+24 12+12+12+12
	7+7+9+12	7+9+9+9	7+9+18+18	9+9+12+12 12+12+12+18

Outdoor units	Suggested sets				
AUX-M5-42LCLH 1 for 5	1 unit	2 units		3 units	
	24	7+7 12+12	7+7+7 7+12+12	9+9+24 12+12+24	
	-	7+9 12+18	7+7+9 7+12+18	9+12+12 12+18+18	
	-	7+12 12+24	7+7+12 7+12+24	9+12+18 12+18+24	
	-	7+18 18+18	7+7+18 7+18+18	9+12+24 12+24+24	
	-	7+24 18+24	7+7+24 7+18+24	9+18+18 18+18+18	
	-	9+9 24+24	7+9+9 7+24+24	9+18+24 18+18+24	
	-	9+12 -	7+9+12 9+9+9	9+24+24	-
	-	9+18 -	7+9+18 9+9+12	12+12+12	-
	-	9+24 -	7+9+24 9+9+18	12+12+18	-

4 units				
	7+7+7+7	7+7+12+12	7+9+9+24	7+12+18+18 9+9+12+24 12+12+12+12
	7+7+7+9	7+7+12+18	7+9+12+12	7+12+18+24 9+9+18+18 12+12+12+18
	7+7+7+12	7+7+12+24	7+9+12+18	7+18+18+18 9+9+18+24 12+12+12+24
	7+7+7+18	7+7+18+18	7+9+12+24	9+9+9+9 9+12+12+12 12+12+18+18
	7+7+7+24	7+7+18+24	7+9+18+18	9+9+9+12 9+12+12+18
	7+7+9+9	7+7+24+24	7+9+18+24	9+9+9+18 9+12+12+24
	7+7+9+12	7+9+9+9	7+12+12+12	9+9+9+24 9+12+18+18
	7+7+9+18	7+9+9+12	7+12+12+18	9+9+12+12 9+12+18+24
	7+7+9+24	7+9+9+18	7+12+12+24	9+9+12+18 9+18+18+18

5 units				
	7+7+7+7+7	7+7+7+9+24	7+7+9+9+24	7+9+9+9+9 7+9+12+12+18 9+9+9+12+24
	7+7+7+7+9	7+7+7+12+12	7+7+9+12+12	7+9+9+9+12 7+12+12+12+12 9+9+9+18+18
	7+7+7+7+12	7+7+7+12+18	7+7+9+12+18	7+9+9+9+18 7+12+12+12+18 9+9+12+12+12
	7+7+7+7+18	7+7+7+12+24	7+7+9+12+24	7+9+9+9+24 9+9+9+9+9 9+9+12+12+18
	7+7+7+7+24	7+7+7+18+18	7+7+9+18+18	7+9+9+12+12 9+9+9+9+12 9+12+12+12+12
	7+7+7+9+9	7+7+7+18+24	7+7+12+12+12	7+9+9+12+18 9+9+9+9+18 9+12+12+12+18
	7+7+7+9+12	7+7+9+9+9	7+7+12+12+18	7+9+9+12+24 9+9+9+9+24 12+12+12+12+12
	7+7+7+9+18	7+7+9+9+12	7+7+12+12+24	7+9+9+18+18 9+9+9+12+12 -
	7+7+7+9+24	7+7+9+9+18	7+7+12+18+18	7+9+12+12+12 9+9+9+12+18 -

We reserve the right to errors in descriptions, appearance, functions, technical parameters, and dimensional drawings resulting from the continuous improvement of our devices.

Freedom

AUX-07/09/12/18/24FH



The Freedom series consists of economical units with modern styling and optimal performance parameters

The Freedom units are surprising with the number of features they offer – including self-cleaning, turbo mode, a timer, the „I FEEL“ smart temperature sensing function, an ionizer, and Wi-Fi control.



Freedom

FH Series

AUX-07/09/12/18/24FH



Model		AUX-07FH/I	AUX-09FH/I	AUX-12FH/I	AUX-18FH/I	AUX-24FH/I	
Cooling efficiency	[kW]	2,05 (1,13 - 2,70)	2,64 (1,40 - 3,30)	3,52 (1,70 - 3,70)	5,27 (2,50 - 5,80)	6,90 (2,90 - 7,30)	
	[Btu/h]	7000 (3855 - 9220)	9000 (4780 - 11260)	12000 (5800 - 12625)	17980 (8530 - 19790)	23542 (9895 - 24908)	
Heating efficiency	[kW]	2,35 (0,98 - 2,50)	2,93 (1,20 - 3,00)	3,81 (2,03 - 4,42)	5,38 (2,25 - 5,80)	7,05 (2,10 - 8,00)	
	[Btu/h]	8000 (3340 - 8530)	10000 (4095 - 10240)	13000 (6930 - 15080)	18350 (7680 - 19790)	24054 (7165 - 27296)	
Power supply	[V~,Hz,Ph]	220-240, 50, 1	220-240, 50, 1	220-240, 50, 1	220-240, 50, 1	220-240, 50, 1	
Power consumption in cooling mode	[W]	40 (12 - 68)	40 (12 - 68)	40 (12 - 68)	63 (16 - 88)	63 (16 - 88)	
Power consumption in heating mode	[W]	40 (12 - 68)	40 (12 - 68)	40 (12 - 68)	63 (16 - 88)	63 (16 - 88)	
Fan motor power	[W]	13	13	13	30	50	
Fan speed (high)	[rpm]	1130	1130	1130	1080	1330	
Airflow rate	[m ³ /h]	600	600	600	900	1300	
Sound pressure level	[dB(A)]	32/29/26/22/20	32/29/26/22/20	34/30/28/23/20	40/32/29/26/22	38/35/32/30/23	
Sound power level	[dB(A)]	41/37/33/29/22	41/37/33/29/22	42/38/35/32/27	46/42/38/34/26	46/42/39/35/25	
Unit dimensions	[mm]	750 x 285 x 200	750 x 285 x 200	750 x 285 x 200	900 x 310 x 225	1082 x 330 x 233	
Weight of the unit (net)	[kg]	7,5	7,5	7,5	9,5	15,0	
Refrigerant gas	-	R32	R32	R32	R32	R32	
Pipe connections (diameter)	Liquid	[mm(inch)]	6,35 (1/4)	6,35 (1/4)	6,35 (1/4)	6,35 (1/4)	6,35 (1/4)
	Gas	[mm(inch)]	9,52 (3/8)	9,52 (3/8)	9,52 (3/8)	12,70 (1/2)	15,88 (5/8)
	Condensate	[mm]	16,9	16,9	16,9	16,9	16,9

HEALTH

- Cold Plasma Ioniser
- Self-cleaning mode
- Washable air filter
- PM2.5 filter
- Antibacterial filter
- Additional air filter
- Anti-mould mode
- DC INVERTER
- Intelligent defrosting
- Hydrophilic aluminium blades
- SUPER EMC
- Automatic restart

TECHNOLOGY

COMFORT

- 4D Airflow
- Vertical movement of the air louvers
- Horizontal movement of the air louvers
- Anti-Cold-Air mode
- Night mode
- I FEEL mode
- Turbo mode
- AUTO mode
- COOLING mode
- HEATING mode
- Dehumidification mode
- Fan mode

CONVENIENCE

- Auto-diagnosis mode
- 24H timer
- LED display
- Dual condensation drainage
- In-built Wi-Fi module
- Wireless controller

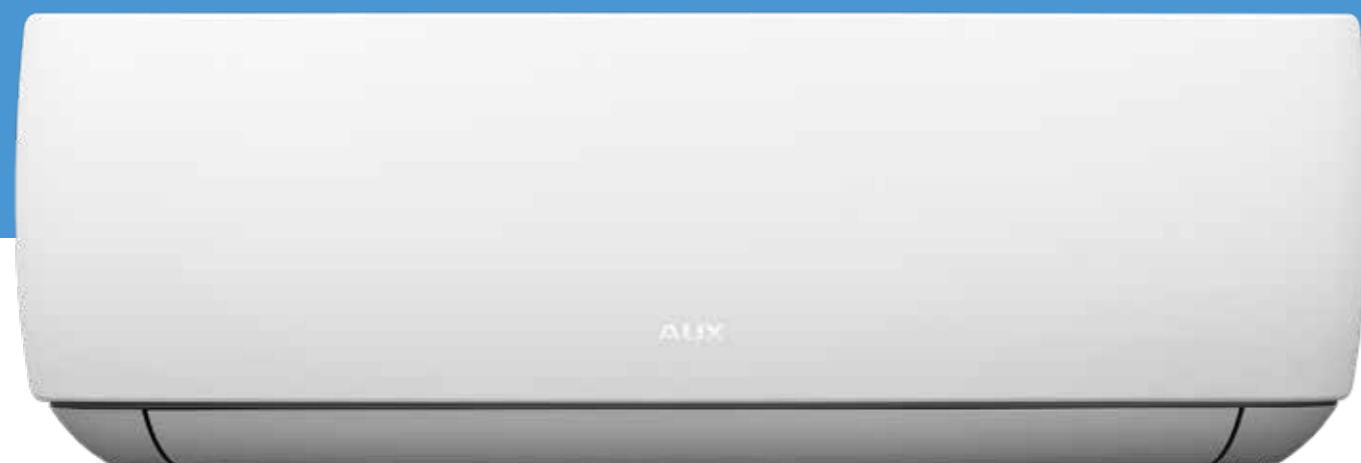
ECOLOGY

- R32 Refrigerant
- Stand-by mode 0,3W

We reserve the right to errors in descriptions, appearance, functions, technical parameters, and dimensional drawings resulting from the continuous improvement of our devices.

J-Smart

AUX-07/09/12/18/24JO



The J-Smart series is primarily characterised by innovative design solutions and unique, minimalist styling

The units feature a reinforced, mechanically damage-resistant casing with a removable bottom cover and patented vertical air louvers shaped like fish fins. The white casing, with its simple form and matte finish, fits well with current design trends.



J-Smart

JO Series

AUX-07/09/12/18/24JO



Model		AUX-07JO/I	AUX-09JO/I	AUX-12JO/I	AUX-18JO/I	AUX-24JO/I	
Cooling efficiency	[kW]	2,05 (1,13 - 2,70)	2,64 (1,40 - 3,30)	3,52 (1,70 - 3,70)	5,27 (2,50 - 5,80)	6,90 (2,90 - 7,30)	
	[Btu/h]	7000 (3855 - 9220)	9000 (4780 - 11260)	12000 (5800 - 12625)	17980 (8530 - 19790)	23542 (9895 - 24908)	
Heating efficiency	[kW]	2,35 (0,98 - 2,50)	2,93 (1,20 - 3,00)	3,81 (2,03 - 4,42)	5,38 (2,25 - 5,80)	7,05 (2,10 - 8,00)	
	[Btu/h]	8000 (3340 - 8530)	10000 (4095 - 10240)	13000 (6930 - 15080)	18350 (7680 - 19790)	24054 (7165 - 27296)	
Power supply	[V~,Hz,Ph]	220-240, 50, 1	220-240, 50, 1	220-240, 50, 1	220-240, 50, 1	220-240, 50, 1	
Power consumption in cooling mode	[W]	40 (12-68)	40 (12-68)	40 (12-68)	63 (16-88)	63 (16-88)	
Power consumption in heating mode	[W]	40 (12-68)	40 (12-68)	40 (12-68)	63 (16-88)	63 (16-88)	
Fan motor power	[W]	13	13	13	30	50	
Fan speed (high)	[rpm]	1130	1130	1130	1180	1330	
Airflow rate	[m ³ /h]	600	600	600	900	1300	
Sound pressure level	[dB(A)]	38/31/27/22/19	38/31/27/22/19	38/32/29/23/20	41/32/31/26/23	38/36/33/31/23	
Sound power level	[dB(A)]	44/40/36/31/24	44/40/36/31/24	44/40/36/32/23	37/43/40/35/30	48/43/40/37/28	
Unit dimensions	[mm]	792 x 292 x 201	792 x 292 x 201	792 x 292 x 201	940 x 316 x 224	1132 x 330 x 232	
Weight of the unit (net)	[kg]	8,0	8,0	8,0	10,5	14,0	
Refrigerant gas	-	R32	R32	R32	R32	R32	
Pipe connections (diameter)	Liquid	[mm(inch)]	6,35 (1/4)	6,35 (1/4)	6,35 (1/4)	6,35 (1/4)	6,35 (1/4)
	Gas	[mm(inch)]	9,52 (3/8)	9,52 (3/8)	9,52 (3/8)	12,70 (1/2)	15,88 (5/8)
	Condensate	[mm]	16,9	16,9	16,9	16,9	16,9

HEALTH

- Cold Plasma Ioniser
- 57°C Sterilisation
- Self-cleaning mode
- Antibacterial filter
- PM2.5 filter
- Additional air filter
- Anti-mould mode
- Washable air filter

ECOLOGY

- R32 Refrigerant
- Eco mode
- Stand-by mode 0,3W

CONVENIENCE

- Auto-diagnosis mode
- 24H timer
- LED display
- Dual condensation drainage
- In-built Wi-Fi module
- Wireless controller

COMFORT

- 4D Airflow
- Vertical movement of the air louvers
- Horizontal movement of the air louvers
- Anti-Cold-Air mode
- Night mode
- I FEEL mode

COMFORT

- Turbo mode
- AUTO mode
- COOLING mode
- HEATING mode
- Dehumidification mode
- FAN mode
- Easy and quick installation

TECHNOLOGY

- DC INVERTER
- Intelligent defrosting
- Hydrophilic aluminium blades
- SUPER EMC
- Automatic restart

TECHNOLOGY

- Gold-coated indoor unit fins

We reserve the right to errors in descriptions, appearance, functions, technical parameters, and dimensional drawings resulting from the continuous improvement of our devices.

A NEW DIMENSION OF QUALITY

J-Smart Art

AUX-07/09/12/18/24JB



The J-Smart Art series units combine innovative construction with stunning design

Innovative solutions in the air conditioner's design ensure easy installation and maintenance, as well as a high level of comfort in air-conditioned spaces. The black casing and its unique styling will meet the expectations of even the most demanding users.



J-Smart Art

JB Series

AUX-07/09/12/18/24JB



Model		AUX-07JB/I	AUX-09JB/I	AUX-12JB/I	AUX-18JB/I	AUX-24JB/I	
Cooling efficiency	[kW]	2,05 (1,13 - 2,70)	2,64 (1,40 - 3,30)	3,52 (1,70 - 3,70)	5,27 (2,50 - 5,80)	6,90 (2,90 - 7,30)	
	[Btu/h]	7000 (3855 - 9220)	9000 (4780 - 11260)	12000 (5800 - 12625)	17980 (8530 - 19790)	23542 (9895 - 24908)	
Heating efficiency	[kW]	2,35 (0,98 - 2,50)	2,93 (1,20 - 3,00)	3,81 (2,03 - 4,42)	5,38 (2,25 - 5,80)	7,05 (2,10 - 8,00)	
	[Btu/h]	8000 (3340 - 8530)	10000 (4095 - 10240)	13000 (6930 - 15080)	18350 (7680 - 19790)	24054 (7165 - 27296)	
Power supply	[V~,Hz,Ph]	220-240, 50, 1	220-240, 50, 1	220-240, 50, 1	220-240, 50, 1	220-240, 50, 1	
Power consumption in cooling mode	[W]	40 (12-68)	40 (12-68)	40 (12-68)	63 (16-88)	63 (16-88)	
Power consumption in heating mode	[W]	40 (12-68)	40 (12-68)	40 (12-68)	63 (16-88)	63 (16-88)	
Fan motor power	[W]	13	13	13	30	50	
Fan speed (high)	[rpm]	1130	1130	1130	1180	1330	
Airflow rate	[m ³ /h]	600	600	600	900	1300	
Sound pressure level	[dB(A)]	38/31/27/22/19	38/31/27/22/19	38/32/29/23/20	41/32/31/26/23	38/36/33/31/23	
Sound power level	[dB(A)]	44/40/36/31/24	44/40/36/31/24	44/40/36/32/23	37/43/40/35/30	48/43/40/37/28	
Unit dimensions	[mm]	806 x 291 x 220	806 x 291 x 220	806 x 291 x 220	951 x 316 x 234	1151 x 329 x 245	
Weight of the unit (net)	[kg]	8,0	8,0	8,0	10,5	14,0	
Refrigerant gas	-	R32	R32	R32	R32	R32	
Pipe connections (diameter)	Liquid	[mm(inch)]	6,35 (1/4)	6,35 (1/4)	6,35 (1/4)	6,35 (1/4)	6,35 (1/4)
	Gas	[mm(inch)]	9,52 (3/8)	9,52 (3/8)	9,52 (3/8)	12,70 (1/2)	15,88 (5/8)
	Condensate	[mm]	16,9	16,9	16,9	16,9	16,9

HEALTH

- Cold Plasma Ioniser
- 57°C Sterilisation
- Self-cleaning mode
- Antibacterial filter
- PM2.5 filter
- Additional air filter
- Anti-mould mode
- Washable air filter
- R32 Refrigerant
- Eco mode
- Stand-by mode 0,3W

ECOLOGY

CONVENIENCE

- Auto-diagnosis mode
- 24H timer
- LED display
- Dual condensation drainage
- In-built Wi-Fi module
- Wireless controller

COMFORT

- 4D Airflow
- Vertical movement of the air louvers
- Horizontal movement of the air louvers
- Anti-Cold-Air mode
- Night mode
- I FEEL mode

COMFORT

- Turbo mode
- AUTO mode
- COOLING mode
- HEATING mode
- Dehumidification mode
- FAN mode
- Easy and quick installation

TECHNOLOGY

- DC INVERTER
- Intelligent defrosting
- Hydrophilic aluminium blades
- SUPER EMC
- Automatic restart

TECHNOLOGY



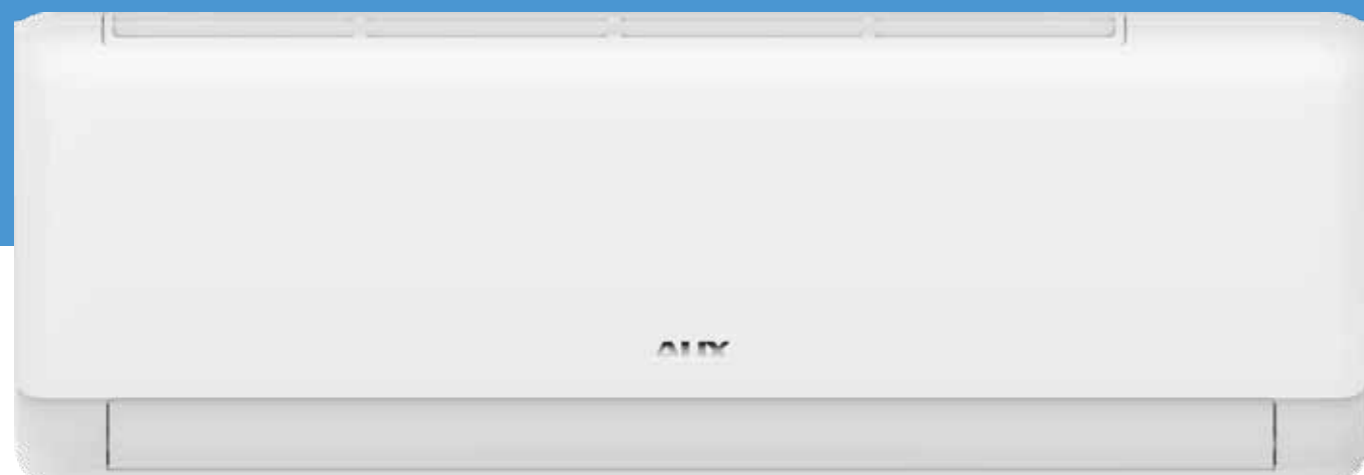
Gold-coated indoor unit fins

We reserve the right to errors in descriptions, appearance, functions, technical parameters, and dimensional drawings resulting from the continuous improvement of our devices.

A NEW DIMENSION OF QUALITY

Q-Smart Premium

AUX-07/09/12/18/24QP



Q-Smart Premium features health-promoting functions, advanced technology, and an exceptionally stylish casing

The high quality and aesthetic finish, combined with the sleek shape of the Q-Smart Premium air conditioners, ensure that the devices will not only fit perfectly into any interior style but will also serve as an elegant and discreet decorative element.



Q-Smart Premium

QP Series

AUX-07/09/12/18/24QP



Model		AUX-07QP/I	AUX-09QP/I	AUX-12QP/I	AUX-18QP/I	AUX-24QP/I	
Cooling efficiency	[kW]	2,05 (1,13 - 2,70)	2,60 (1,40 - 3,30)	3,52 (1,70 - 3,70)	5,28 (2,50 - 5,80)	6,90 (2,90 - 7,30)	
	[Btu/h]	7000 (3855 - 9220)	9000 (4780 - 11260)	12000 (5800 - 12625)	18015 (8530 - 19790)	23542 (9895 - 24908)	
Heating efficiency	[kW]	2,15 (0,98 - 2,50)	2,93 (1,20 - 3,00)	3,80 (1,80 - 3,90)	5,37 (2,25 - 5,80)	7,05 (2,10 - 8,00)	
	[Btu/h]	7400 (3340 - 8530)	10000 (4095 - 10240)	13000 (6140 - 13300)	18085 (7680 - 19790)	24054 (7165 - 27296)	
Power supply	[V~,Hz,Ph]	220-240, 50, 1	220-240, 50, 1	220-240, 50, 1	220-240, 50, 1	220-240, 50, 1	
Power consumption in cooling mode	[W]	20	20	40 (12-68)	58 (16-88)	63 (16-88)	
Power consumption in heating mode	[W]	20	20	40 (12-68)	58 (16-88)	63 (16-88)	
Fan motor power	[W]	13	13	18	30	50	
Fan speed (high)	[rpm]	1350	1350	1330	1230	1330	
Airflow rate	[m ³ /h]	550	550	600	950	1300	
Sound pressure level	[dB(A)]	38/31/27/22/19	38/31/27/22/19	38/32/29/23/20	41/32/31/26/23	38/36/33/31/23	
Sound power level	[dB(A)]	44/40/36/31/24	44/40/36/31/24	44/40/36/32/23	37/43/40/35/30	48/43/40/37/28	
Unit dimensions	[mm]	762 x 295 x 200	762 x 295 x 200	762 x 295 x 200	960 x 316 x 222	1089 x 328 x 227	
Weight of the unit (net)	[kg]	7,0	7,0	8,0	11,0	12,5	
Refrigerant gas	-	R32	R32	R32	R32	R32	
Pipe connections (diameter)	Liquid	[mm(inch)]	6,35 (1/4)	6,35 (1/4)	6,35 (1/4)	6,35 (1/4)	6,35 (1/4)
	Gas	[mm(inch)]	9,52 (3/8)	9,52 (3/8)	9,52 (3/8)	12,70 (1/2)	15,88 (5/8)
	Condensate	[mm]	16,9	16,9	16,9	16,9	16,9

HEALTH



Cold Plasma Ioniser



57°C Sterilisation



Self-cleaning mode



Antibacterial filter



PM2.5 filter



Additional air filter



Anti-mould mode



Washable air filter

ECOLOGY



R32 Refrigerant



Eco mode



Stand-by mode 0,3W

CONVENIENCE



Auto-diagnosis mode



24H timer



LED display



Dual condensation drainage



In-built Wi-Fi module



Wireless controller

COMFORT



4D Airflow



Vertical movement of the air louvers



Horizontal movement of the air louvers



Anti-Cold-Air mode



Night mode



I FEEL mode

COMFORT



Turbo mode



Auto mode



Cooling mode



Heating mode



Dehumidification mode



Fan mode

TECHNOLOGY



Inverter technology



Intelligent defrosting



Hydrophilic aluminium blades



Super EMC



Automatic restart



Gold-coated indoor unit fins

We reserve the right to errors in descriptions, appearance, functions, technical parameters, and dimensional drawings resulting from the continuous improvement of our devices.

Q-Smart Premium Grey

AUX-07/09/12/18/24QB



Q-Smart Premium Grey features health-promoting functions, advanced technology, and an exceptionally stylish casing in a unique grey colour

The elegant, graphite casing that mimics chrome silver is a choice for those seeking unconventional colour options. This model will serve as a bold colour accent, adding character to any interior.



Q-Smart Premium Grey

QB Series

AUX-07/09/12/18/24QB



Model		AUX-07QB/I	AUX-09QB/I	AUX-12QB/I	AUX-18QB/I	AUX-24QB/I	
Cooling efficiency	[kW]	2,05 (1,13 - 2,70)	2,60 (1,40 - 3,30)	3,52 (1,70 - 3,70)	5,28 (2,50 - 5,80)	6,90 (2,90 - 7,30)	
	[Btu/h]	7000 (3855 - 9220)	9000 (4780 - 11260)	12000 (5800 - 12625)	18015 (8530 - 19790)	23542 (9895 - 24908)	
Heating efficiency	[kW]	2,15 (0,98 - 2,50)	2,93 (1,20 - 3,00)	3,80 (1,80 - 3,90)	5,37 (2,25 - 5,80)	7,05 (2,10 - 8,00)	
	[Btu/h]	7400 (3340 - 8530)	10000 (4095 - 10240)	13000 (6140 - 13300)	18085 (7680 - 19790)	24054 (7165 - 27296)	
Power supply	[V~,Hz,Ph]	220-240, 50, 1	220-240, 50, 1	220-240, 50, 1	220-240, 50, 1	220-240, 50, 1	
Power consumption in cooling mode	[W]	20	20	40 (12-68)	58 (16-88)	63 (16-88)	
Power consumption in heating mode	[W]	20	20	40 (12-68)	58 (16-88)	63 (16-88)	
Fan motor power	[W]	13	13	18	30	50	
Fan speed (high)	[rpm]	1350	1350	1330	1230	1330	
Airflow rate	[m ³ /h]	550	550	600	950	1300	
Sound pressure level	[dB(A)]	38/31/27/22/19	38/31/27/22/19	38/32/29/23/20	41/32/31/26/23	38/36/33/31/23	
Sound power level	[dB(A)]	44/40/36/31/24	44/40/36/31/24	44/40/36/32/23	37/43/40/35/30	48/43/40/37/28	
Unit dimensions	[mm]	762 x 295 x 200	762 x 295 x 200	762 x 295 x 200	960 x 316 x 222	1089 x 328 x 227	
Weight of the unit (net)	[kg]	7,0	7,0	8,0	11,0	12,5	
Refrigerant gas	-	R32	R32	R32	R32	R32	
Pipe connections (diameter)	Liquid	[mm(inch)]	6,35 (1/4)	6,35 (1/4)	6,35 (1/4)	6,35 (1/4)	6,35 (1/4)
	Gas	[mm(inch)]	9,52 (3/8)	9,52 (3/8)	9,52 (3/8)	12,70 (1/2)	15,88 (5/8)
	Condensate	[mm]	16,9	16,9	16,9	16,9	16,9

HEALTH



Cold Plasma Ioniser



57°C Sterilisation



Self-cleaning mode



Antibacterial filter



PM2.5 filter



Additional air filter



Anti-mould mode



Washable air filter

ECOLOGY



R32 Refrigerant



Eco mode



Stand-by mode 0,3W

CONVENIENCE



Auto-diagnosis mode



24H timer



LED display



Dual condensation drainage



In-built Wi-Fi module



Wireless controller

COMFORT



4D Airflow



Vertical movement of the air louvers



Horizontal movement of the air louvers



Anti-Cold-Air mode



Night mode



I FEEL mode

COMFORT



Turbo mode



Auto mode



Cooling mode



Heating mode



Dehumidification mode



Fan mode

TECHNOLOGY



Inverter technology



Intelligent defrosting



Hydrophilic aluminium blades



Super EMC



Automatic restart

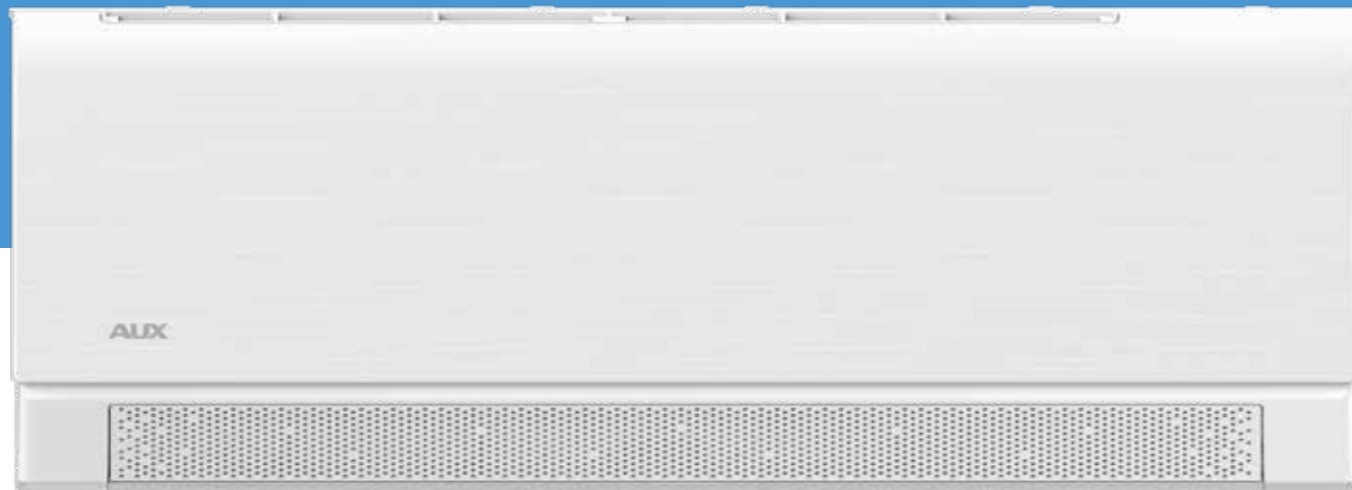


Gold-coated indoor unit fins

We reserve the right to errors in descriptions, appearance, functions, technical parameters, and dimensional drawings resulting from the continuous improvement of our devices.

C-Smart

AUX-07/09/12/18/24CA



The C-Smart series is a perfect combination of contemporary design and innovative features, created with comfort, elegance, and a unique aesthetic in mind

The air conditioners in the C-Smart series are equipped with an advanced air distribution system, thanks to innovative micro-hole technology. Combined with a range of innovative features and exceptional design, C-Smart air conditioners are a perfect decorative element that enhances the style of modern interiors.



C-Smart

CA Series

AUX-07/09/12/18/24CA



Model		AUX-07CA/I	AUX-09CA/I	AUX-12CA/I	AUX-18CA/I	AUX-24CA/I	
Cooling efficiency	[kW]	2,05 (1,13 - 2,70)	2,64 (1,40 - 3,30)	3,52 (1,70 - 3,70)	5,27 (2,50 - 5,80)	6,90 (2,90 - 7,30)	
	[Btu/h]	7000 (3855 - 9220)	9000 (4780 - 11260)	12000 (5800 - 12625)	17980 (8530 - 19790)	23542 (9895 - 24908)	
Heating efficiency	[kW]	2,35 (0,98 - 2,50)	2,93 (1,20 - 3,00)	3,81 (2,03 - 4,42)	5,38 (2,25 - 5,80)	7,05 (2,10 - 8,00)	
	[Btu/h]	8000 (3340 - 8530)	10000 (4095 - 10240)	13000 (6930 - 15080)	18350 (7680 - 19790)	24054 (7165 - 27296)	
Power supply	[V~,Hz,Ph]	220-240, 50, 1	220-240, 50, 1	220-240, 50, 1	220-240, 50, 1	220-240, 50, 1	
Power consumption in cooling mode	[W]	40 (12-68)	40 (12-68)	40 (12-68)	63 (16-88)	63 (16-88)	
Power consumption in heating mode	[W]	40 (12-68)	40 (12-68)	40 (12-68)	63 (16-88)	63 (16-88)	
Fan motor power	[W]	13	13	13	30	50	
Fan speed	[rpm]	1180 - 850	1180 - 850	1180 - 850	1230 - 850	1330 - 900	
Airflow rate	[m ³ /h]	650	650	650	950	1300	
Sound pressure level	[dB(A)]	41/38/35	41/38/35	41/38/35	47/49/36	49/44/40	
Sound power level	[dB(A)]	53	53	53	58	63	
Unit dimensions	[mm]	774 x 298 x 202	774 x 298 x 202	774 x 298 x 202	1002 x 318 x 223	1145 x 332 x 230	
Weight of the unit (net)	[kg]	7,0	7,0	7,5	11,0	13,0	
Refrigerant gas		R32	R32	R32	R32	R32	
Pipe connections (diameter)	Liquid	[mm(inch)]	6,35 (1/4)	6,35 (1/4)	6,35 (1/4)	6,35 (1/4)	6,35 (1/4)
	Gas	[mm(inch)]	9,52 (3/8)	9,52 (3/8)	9,52 (3/8)	12,70 (1/2)	15,88 (5/8)
	Condensate	[mm]	16,9	16,9	16,9	16,9	16,9

HEALTH

- UV Sterilisation
- 57°C Sterilisation
- Self-cleaning mode
- Antibacterial filter
- Temperature range setting
- PM2.5 filter
- Additional air filter
- Anti-mould mode
- Washable air filter

TECHNOLOGY

- DC Inverter
- Intelligent defrosting
- Hydrophilic aluminium blades

TECHNOLOGY

- Super EMC
- Automatic restart
- Gold-coated indoor unit fins

COMFORT

- 4D Airflow
- Vertical movement of the air louvers
- Horizontal movement of the air louvers
- Anti-Cold-Air mode
- Night mode
- I FEEL mode
- Turbo mode
- Auto mode
- Cooling mode

COMFORT

- Heating mode
- Soft-air mode
- Dehumidification mode
- Fan mode
- Quiet operation mode
- Easy and quick installation

ECOLOGY

- R32 Refrigerant
- Eco mode
- Stand-by mode 0,3W

CONVENIENCE

- Auto-diagnosis mode
- 24H timer
- LED display

CONVENIENCE

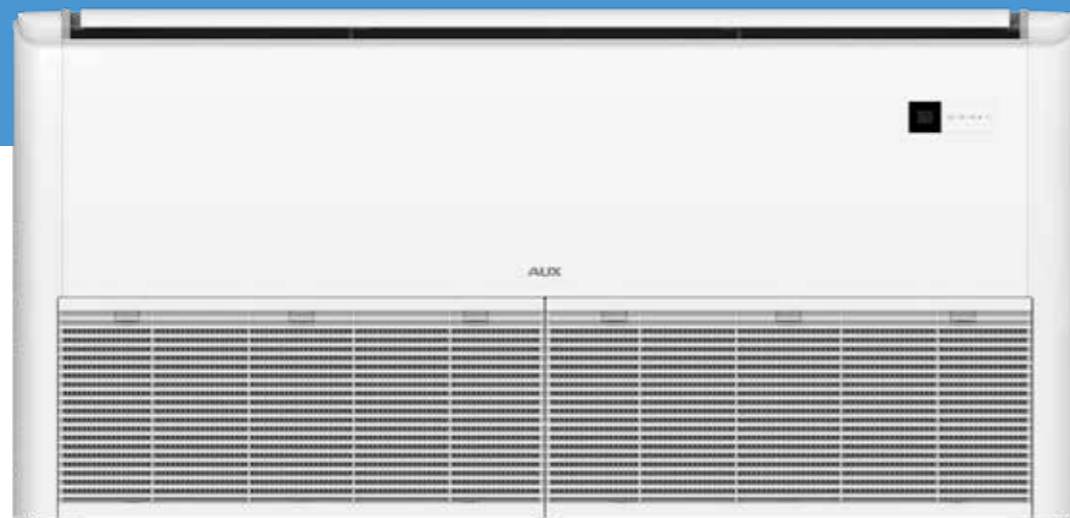
- Dual condensation drainage
- In-built Wi-Fi module
- Wireless controller

We reserve the right to errors in descriptions, appearance, functions, technical parameters, and dimensional drawings resulting from the continuous improvement of our devices.

A NEW DIMENSION OF QUALITY

Floor-ceiling units

AUX-M-F(09/12/18)/I



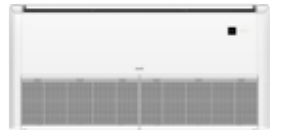
Efficient, versatile units that, thanks to their compact size and flexible installation options, are perfect for both commercial and residential spaces. The devices will provide a high level of comfort in every corner of the air-conditioned room.



Floor-ceiling

F Series

AUX-M-F(09/12/18)/I



Model		AUX-M-F09/I	AUX-M-F12/I	AUX-M-F18/I
Cooling efficiency	[kW]	2,80 (1,50 - 3,55)	3,60 (1,70 - 3,70)	5,30 (2,50 - 5,60)
	[Btu/h]	9560 (5120 - 12115)	12285 (5800 - 12625)	18000 (8530 - 19107)
Heating efficiency	[kW]	3,00 (1,60 - 3,81)	3,90 (2,03 - 4,42)	5,80 (3,03 - 7,03)
	[Btu/h]	10240 (5460 - 13000)	13306 (6930 - 15080)	19790 (10340 - 24000)
Power supply	[V~,Hz,Ph]	220-240, 50, 1	220-240, 50, 1	220-240, 50, 1
Power consumption in cooling mode	[W]	70 (20 - 125)	70 (20 - 125)	80 (20 - 125)
Power consumption in heating mode	[W]	70 (20 - 125)	70 (20 - 125)	80 (20 - 125)
Fan motor power	[W]	40	40	40
Fan speed (high / medium / low)	[rpm]	850 / 730 / 630	850 / 730 / 630	950 / 790 / 690
Airflow rate	[m3/h]	840 / 700 / 580	840 / 700 / 580	900 / 720 / 600
Sound pressure level	[dB(A)]	40 / 34 / 31	40 / 34 / 31	42 / 35 / 33
Sound power level	[dB(A)]	55	55	58
Unit dimensions	[mm]	1000 x 690 x 235	1000 x 690 x 235	1000 x 690 x 235
Weight of the unit (net)	[kg]	27,0	27,0	28,0
Refrigerant gas	-	R32	R32	R32
Pipe connections (diameter)	Liquid [mm(inch)]	6,35 (1/4)	6,35 (1/4)	6,35 (1/4)
	Gas [mm(inch)]	12,70 (1/2)	12,70 (1/2)	12,70 (1/2)
	Condensate [mm]	20	20	20

HEALTH

- Long-term
- Durable air filter

ECOLOGY

- R32 Refrigerant

CONVENIENCE

- Wireless controller
- 24H timer
- Optional Wi-Fi module

COMFORT

- COOLING
- Fast cooling / heating
- HEATING
- AUTO
- Fan mode

COMFORT

- DRY MODE
- Vertical movement of the air louvers
- Anti-Cold-Air mode
- Night mode
- I FEEL mode
- Turbo mode

TECHNOLOGY

- DC INVERTER
- Intelligent defrosting
- Hydrophilic aluminium blades
- Automatic restart
- SUPER EMC
- Cooling in low temperatures

We reserve the right to errors in descriptions, appearance, functions, technical parameters, and dimensional drawings resulting from the continuous improvement of our devices.

Cassette units

AUX-M-C(09/12/18/24)/I



The quiet and efficient AUX cassette units are perfect for commercial spaces with suspended ceilings, such as offices, conference rooms, restaurants, and retail outlets. Thanks to the 360° perimeter airflow technology and the quick cooling/heating function, they can ensure comfortable conditions in every corner of the air-conditioned room.



Cassette

C Series

AUX-M-C(09/12/18/24)/I



Model		AUX-M-C09 AUX-C-09CAC	AUX-M-C12	AUX-M-C18	AUX-M-C24	
Decorative panel		AUX-P-01	AUX-P-01	AUX-P-01	AUX-P-02	
Cooling efficiency	[kW]	2,80 (1,50 - 3,55)	3,52 (1,70 - 3,70)	5,28 (2,50 - 5,60)	7,00 (2,16 - 8,20)	
	[Btu/h]	9560 (5120 - 12115)	12010 (5800 - 12625)	18015 (8530 - 19107)	24000 (7400 - 28000)	
Heating efficiency	[kW]	3,00 (1,60 - 3,81)	3,81 (2,03 - 4,42)	5,60 (3,03 - 7,03)	8,00 (1,98 - 9,30)	
	[Btu/h]	10240 (5460 - 13000)	13000 (6930 - 15080)	19107 (10340 - 24000)	27300 (6800 - 31700)	
Power supply	[V~,Hz,Ph]	220-240, 50, 1	220-240, 50, 1	220-240, 50, 1	220-240, 50, 1	
Power consumption in cooling mode	[W]	40 (12 - 68)	40 (12 - 68)	40 (12 - 68)	110 (27,5 - 171)	
Power consumption in heating mode	[W]	40 (12 - 68)	40 (12 - 68)	40 (12 - 68)	110 (27,5 - 171)	
Fan motor power	[W]	30	30	30	80	
Fan speed (high / medium / low)	[rpm]	720/610/530	720/610/530	840/720/660	580/530/470	
Airflow rate (high / medium / low)	[m3/h]	700/620/530	700/620/530	760/650/580	1400/1350/1150	
Sound pressure level	[dB(A)]	42/36/32	42/36/32	45/40/38	47/45/42	
Sound power level	[dB(A)]	52	52	56	57	
Unit dimensions	[mm]	570 x 570 x 260	570 x 570 x 260	570 x 570 x 260	840 x 840 x 246	
Panel dimensions	[mm]	650 x 650 x 55	650 x 650 x 55	650 x 650 x 55	950 x 950 x 55	
Weight of the unit (net)	[kg]	14,5	14,5	15,0	26,0	
Weight of the panel (net)	[kg]	2,2	2,2	2,2	5,3	
Refrigerant gas		R32	R32	R32	R32	
Pipe connections (diameter)	Liquid	[mm(inch)]	6,35 (1/4)	6,35 (1/4)	6,35 (1/4)	6,35 (1/4)
	Gas	[mm(inch)]	12,70 (1/2)	12,70 (1/2)	12,70 (1/2)	15,88 (5/8)
	Condensate	[mm]	20	20	20	20

HEALTH

Washable air filter

ECOLOGY

R32 Refrigerant

CONVENIENCE

Wireless controller

24H timer

Optional Wi-Fi module

COMFORT

Cooling mode

Fast cooling / heating

Heating mode

Auto mode

Fan mode

COMFORT

Dehumidification mode

Vertical movement of the air louvers

Anti-Cold-Air mode

Night mode

I FEEL mode

Turbo mode

TECHNOLOGY

DC Inverter

Intelligent defrosting

Hydrophilic aluminium blades

Automatic restart

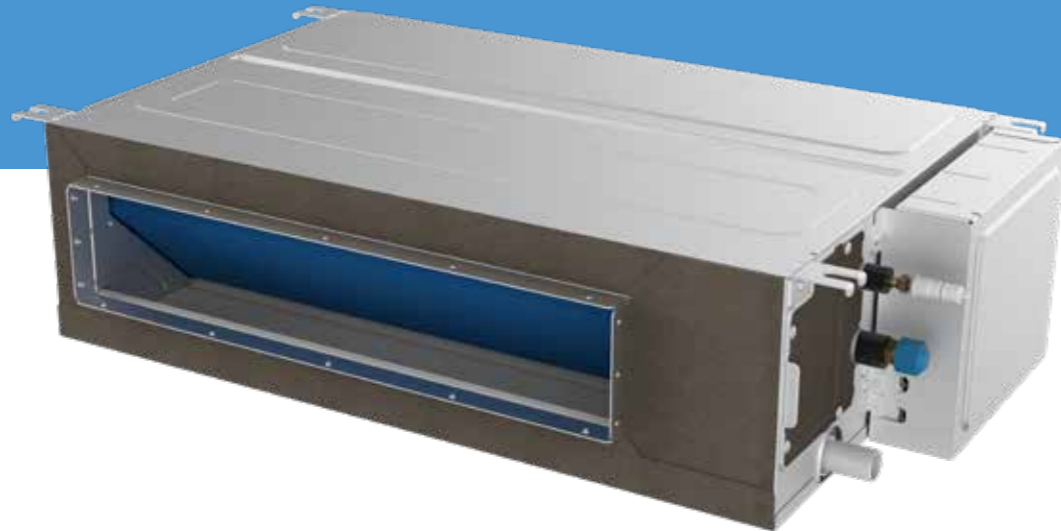
Super EMC

Cooling in low temperatures

We reserve the right to errors in descriptions, appearance, functions, technical parameters, and dimensional drawings resulting from the continuous improvement of our devices.

Ducted units

AUX-M-D(07/09/12/18/24)/I



Ducted

D Series

AUX-M-D(07/09/12/18/24)/I



Model		AUX-M-D07/I	AUX-M-D09/I	AUX-M-D12/I	AUX-M-D18/I	AUX-M-D24/I
Cooling efficiency	[kW]	2,20 (1,13 - 2,70)	2,60 (1,50 - 3,55)	3,52 (1,35 - 4,40)	5,28 (1,53 - 5,60)	7,03 (2,16 - 8,20)
	[Btu/h]	7506 (3855 - 9220)	8872 (5120 - 12115)	12000 (4600 - 15000)	18000 (5200 - 19100)	24000 (7400 - 28000)
Heating efficiency	[kW]	2,50 (1,34 - 3,17)	2,90 (1,70 - 3,65)	3,81 (1,24 - 5,30)	5,60 (1,40 - 6,20)	7,91 (1,98 - 9,30)
	[Btu/h]	8530 (4575 - 10820)	9895 (5800 - 12450)	13000 (4200 - 18100)	19100 (4800 - 21200)	27000 (6800 - 31700)
Power supply	[V~,Hz,Ph]	220~240, 50, 1	220~240, 50, 1	220~240, 50, 1	220~240, 50, 1	220~240, 50, 1
Power consumption in cooling mode	[W]	55	55	60	90	150
Power consumption in heating mode	[W]	55	55	60	90	150
Fan motor power	[W]	40	40	50	73	120
Fan speed (high / medium / low)	[rpm]	1020/870/780	1020/870/780	980/880/800	1180/1050/930	1200/1065/960
Airflow rate (high / medium / low)	[m ³ /h]	600/450/380	600/450/380	720/600/500	900/750/630	1400/1190/980
Sound pressure level	[dB(A)]	37/33/30	37/33/30	36/34/32	41/37/34	42/39/36
Sound power level	[dB(A)]	53	53	49	56	55
ESP	[Pa]	10/30	10/30	25 (0 ~ 80)	25 (0 ~ 80)	25 (0 ~ 80)
Unit dimensions	[mm]	700 x 470 x 200	700 x 470 x 200	700 x 700 x 245	700 x 700 x 245	1000 x 700 x 245
Weight of the unit (net)	[kg]	18,5	18,5	21,0	22,0	29,5
Refrigerant gas		R32	R32	R32	R32	R32
Pipe connections (diameter)	Liquid [mm(inch)]	6,35 (1/4)	6,35 (1/4)	6,35 (1/4)	6,35 (1/4)	9,52 (3/8)
	Gas [mm(inch)]	9,52 (3/8)	9,52 (3/8)	12,70 (1/2)	12,70 (1/2)	15,88 (5/8)
	Condensate [mm]	16,50	16,50	16,50	16,50	16,50

Thanks to its exceptionally flat casing design, it is suitable even for low ceiling spaces. The automatic ESP regulation function ensures comfortable cooling and heating, regardless of the installation length.

The ducted unit design allows for two ways to install the air intake duct, offering great flexibility in system design. By default, the air intake is located at the back of the unit. If the room layout requires it, air can also be drawn through the bottom intake (optional).

HEALTH

Long-term

Durable air filter

ECOLOGY

R32 Refrigerant

CONVENIENCE

Wired controller

24H timer

Optional wireless controller

Optional Wi-Fi module

COMFORT

Cooling mode

Fast cooling / heating

Heating mode

Auto mode

COMFORT

Ventilation

Dehumidification mode

Anti-Cold-Air mode

Night mode

I FEEL mode

Turbo mode

TECHNOLOGY

DC INVERTER

Intelligent defrosting

Hydrophilic aluminium blades

Automatic restart

Super EMC

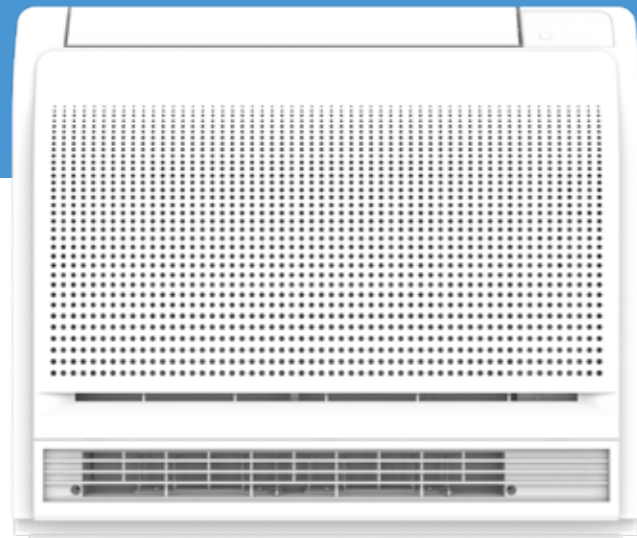
Cooling in low temperatures



We reserve the right to errors in descriptions, appearance, functions, technical parameters, and dimensional drawings resulting from the continuous improvement of our devices.

Console units

AUX-M-K(09/12/16)



Console units are efficient and compact devices that are perfect for both commercial and residential spaces. With their attractive design, they will fit perfectly into the air-conditioned room.

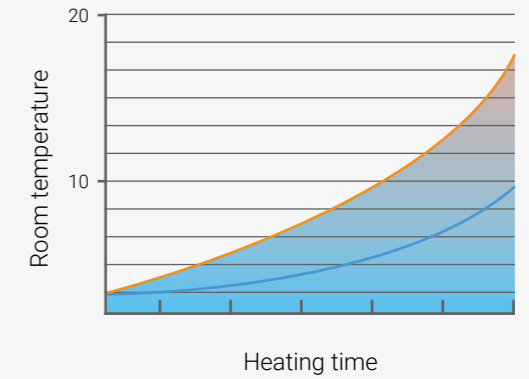
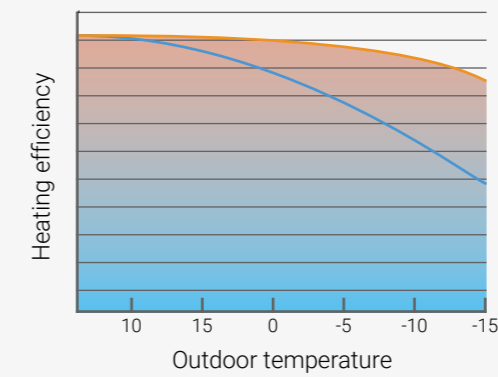


MULTI SPLIT SYSTEMS

CONSOLE UNITS

High heating capacity

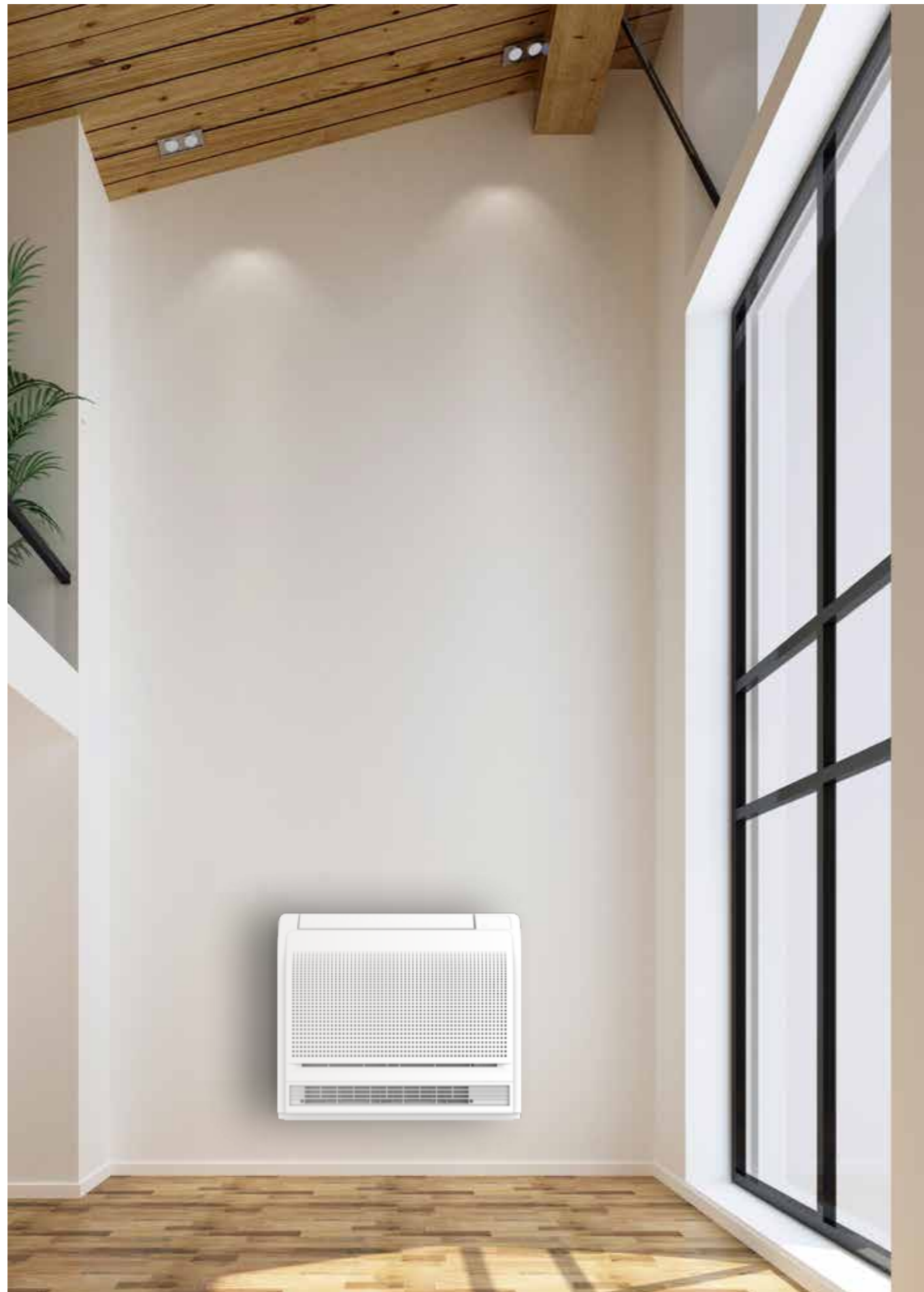
- AUX console
- Other brands of regular air conditioners



Highest quality compressor

Both indoor and outdoor units utilise advanced DC inverter technology, which is characterised by high efficiency and energy savings. As a result, these systems operate more efficiently, contributing to a significant reduction in energy consumption. Inverter technology allows for smooth adjustment of the devices' power to current needs, eliminating energy losses caused by frequent on/off cycles. Furthermore, DC inverters increase the lifespan of the units by reducing mechanical and thermal stresses. As a result, users can enjoy lower energy bills and more reliable performance of their systems.

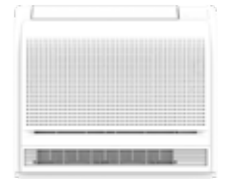




Console

K Series

AUX-M-K(09/12/16)



Model		AUX-M-K09	AUX-M-K12	AUX-M-K16
Cooling efficiency	[kW]	2,60 (1,50 - 3,55)	3,50 (1,70 - 3,70)	4,70 (2,50 - 4,80)
	[Btu/h]	8872 (5120 - 12115)	12285 (5800 - 12625)	16036 (8530 - 16378)
Heating efficiency	[kW]	2,80 (1,50 - 3,55)	3,50 (1,50 - 3,70)	5,00 (2,50 - 5,60)
	[Btu/h]	9560 (5120 - 12115)	12625 (5120 - 12625)	17060 (8530 - 19107)
Power supply	[V~,Hz,Ph]	220-240, 50, 1	220-240, 50, 1	220-240, 50, 1
Power consumption in cooling mode	[W]	40 (20 - 65)	40 (20 - 65)	55 (20 - 80)
Power consumption in heating mode	[W]	40 (20 - 65)	40 (20 - 65)	55 (20 - 80)
Fan motor power	[W]	35	35	35
Fan speed	[rpm]	650/590/550/480	650/590/550/480	690/610/550/480
Airflow rate	[m ³ /h]	600/530/430	600/530/430	650/550/450
Sound pressure level	[dB(A)]	42/39/36	42/39/36	44/40/37
Sound power level	[dB(A)]	52	52	54
Unit dimensions	[mm]	700 x 225 x 600	700 x 225 x 600	700 x 225 x 600
Weight of the unit (net)	[kg]	15,0	15,0	15,0
Refrigerant gas	-	R32	R32	R32
Pipe connections (diameter)	Liquid [mm(inch)]	6,35 (1/4)	6,35 (1/4)	6,35 (1/4)
	Gas [mm(inch)]	9,52 (3/8)	9,52 (3/8)	9,52 (3/8)
	Condensate [mm]	20	20	20

HEALTH

- Washable air filter
- Durable air filter

ECOLOGY

- R32 Refrigerant

CONVENIENCE

- Wireless controller
- 24H timer
- In-built Wi-Fi module
- Optional wired controller

COMFORT

- COOLING
- Fast cooling / heating
- HEATING
- AUTO

COMFORT

- VENTILATION
- DRY MODE
- Vertical movement of the air louvers
- Anti-Cold-Air mode
- Night mode
- I FEEL mode
- Turbo mode

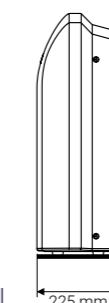
TECHNOLOGY

- DC INVERTER
- Intelligent defrosting
- Hydrophilic aluminium blades
- Automatic restart
- SUPER EMC

TECHNOLOGY



Cooling in low temperatures



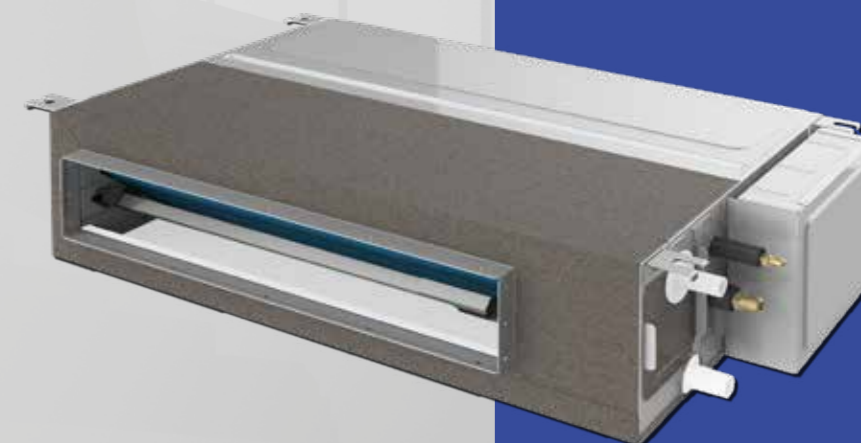
Installation of the unit vertically against the wall

Easy installation and flat design

The design of the console unit allows for easy arrangement of the device in the room. Installing the unit against the wall does not require any casing. The exceptionally shallow depth of the unit – only 225 mm – enables installation even in limited spaces.

We reserve the right to errors in descriptions, appearance, functions, technical parameters, and dimensional drawings resulting from the continuous improvement of our devices.

AUX
AIR CONDITIONER



commercial
air conditioners

COMMERCIAL SYSTEMS

High-quality inverter compressor

Warranty of energy efficiency and reliability

The rotary inverter compressor used in AUX air conditioners guarantees reliable and efficient operation of the units, as well as the highest energy efficiency parameters. It also ensures low operating costs and a low level of generated noise. The durable, high-quality materials used in the compressor's construction contribute to its long-lasting and trouble-free performance.

QUALITY AND ENERGY EFFICIENCY



WIDE OPERATING RANGE

Reliable operation even in adverse external conditions

AUX commercial systems are characterised by reliable, stable operation even in extreme ambient temperatures. Thanks to the use of modern technologies and high-quality components, AUX devices can operate in a wide range of external temperatures, from -15°C to 52°C in cooling mode and from -22°C to 24°C in heating mode, ensuring a high level of comfort in air-conditioned spaces throughout the year.



High energy efficiency

Guarantee of energy-efficient operation

Thanks to the use of a high-efficiency DC inverter compressor, an adjustable fan motor, and advanced vector control technology with a 180° sine wave, AUX commercial systems achieve high energy efficiency parameters, ensuring reliable and efficient operation with low energy consumption. All air conditioners in the CAC series have an energy efficiency class of A++ in cooling mode and A+ in heating mode.

Drain pan heater for the outdoor unit

Efficient operation in heating mode

The outdoor units in the AUX commercial systems series are equipped with drain pan heaters, which enable efficient operation of the devices in heating mode even in severe frost, preventing the heat exchanger from freezing.



R32 ECO-FRIENDLY REFRIGERANT

 **Safe,
eco-friendly,
highly efficient**

All AUX air conditioning units from the Multi series operate using the latest, environmentally friendly R32 refrigerant, which, compared to the widely used R410A, offers higher efficiency and a lower global warming potential. Moreover, it does not damage the ozone layer.

CARING FOR OUR PLANET



LONGEVITY AND AESTHETICS



Corrosion-resistant casing of the outdoor unit

Longer lifespan and aesthetics

The outdoor unit casing is coated with a series of protective layers, safeguarding it from insects, rodents, moisture, dust, and fire. This ensures a long lifespan for the device and maintains its aesthetic appearance, even after many years of exposure to harsh environmental conditions.



Automatic restart

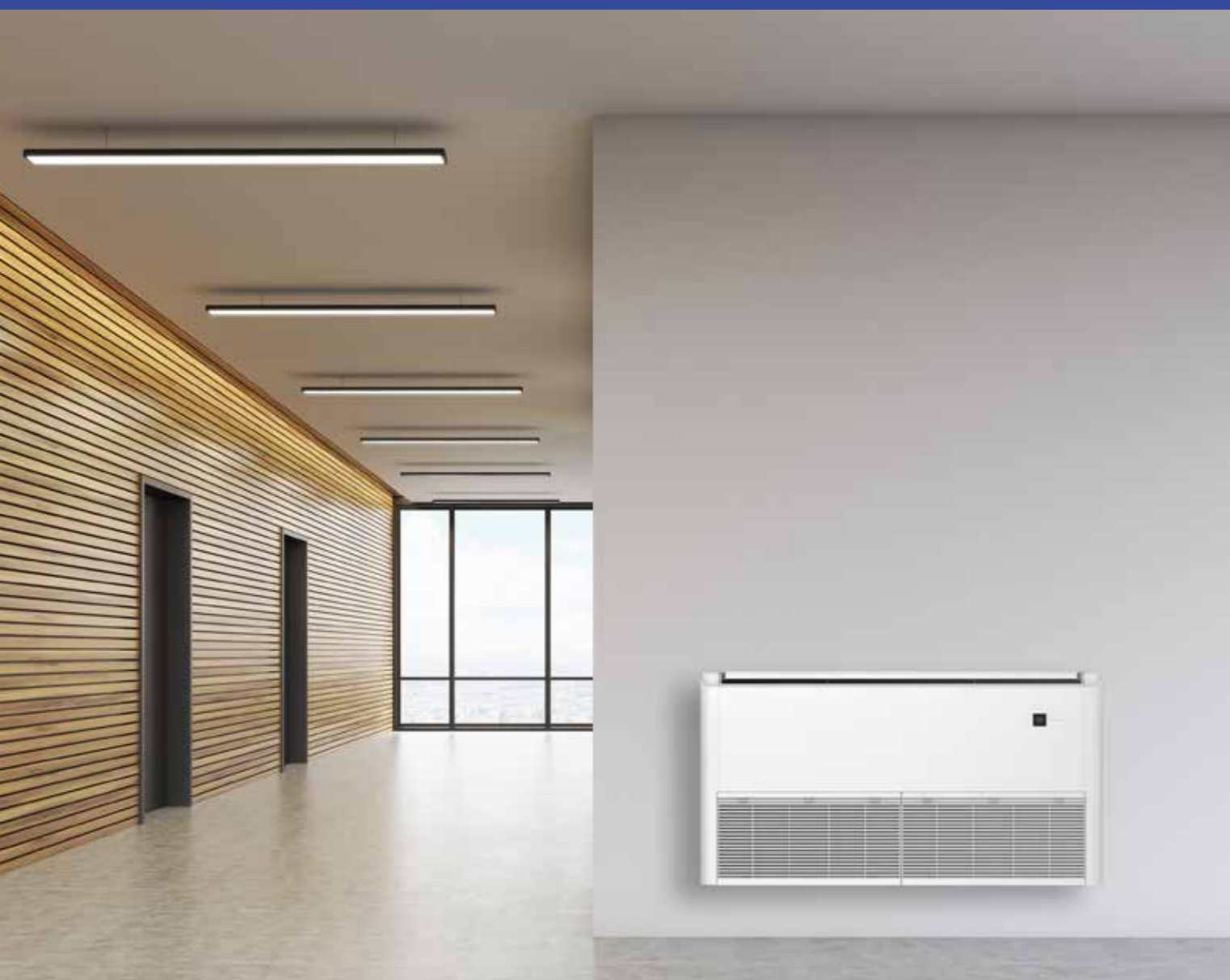
Settings memory in case of power interruption

In the event of a power interruption, the device remembers the last settings and, once power is restored, it automatically restarts and returns to the previously set operating mode.



Floor-ceiling units

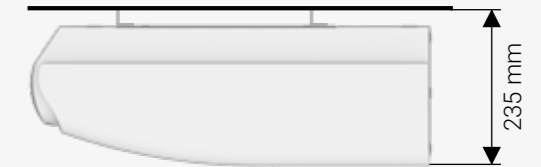
AUX-C-(18/24/36/42/48/60)CAF



Universal installation and ultra-flat design

Only 235 mm in thickness

The design of the floor-ceiling unit allows for flexible installation to suit the room's layout – the device can be mounted both vertically (on the floor against the wall) and horizontally (suspended from the ceiling). It does not require casing, making it ideal for spaces without a suspended ceiling. The exceptionally small depth of the unit – only 235 mm – allows for installation even in limited spaces.



Installation of the unit horizontally under the ceiling

Installation of the unit vertically against the wall



HEALTH	ECOLOGY	CONVENIENCE	COMFORT
Durable air filter	R32 Refrigerant	Wireless controller	Cooling mode
		24H timer	Fast cooling / heating
		Optional wired controller	Heating mode
			Auto mode
			Fan mode
COMFORT		TECHNOLOGY	
Dehumidification mode	Vertical movement of the air louvers	Anti-Cold-Air mode	Night mode
		I FEEL mode	Turbo mode
		DC INVERTER	Intelligent defrosting
		Hydrophilic aluminium blades	Automatic restart
		Super EMC	Cooling in low temperatures

We reserve the right to errors in descriptions, appearance, functions, technical parameters, and dimensional drawings resulting from the continuous improvement of our devices.

A NEW DIMENSION OF QUALITY

Floor-ceiling

CAF Series

AUX-C-(18/24/36)CAF

Model		AUX-C-18CAF	AUX-C-24CAF	AUX-C-36CAF
Cooling efficiency	[kW]	5,30 (1,60 - 6,00)	7,03 (2,16 - 8,20)	10,55 (2,90 - 11,50)
	[Btu/h]	18000 (5500 - 20500)	24000 (7400 - 28000)	36000 (9900 - 39200)
Heating efficiency	[kW]	5,70 (1,40 - 7,20)	7,62 (1,98 - 9,30)	11,15 (2,60 - 12,00)
	[Btu/h]	19450 (4800 - 24600)	26000 (6800 - 31700)	38000 (8900 - 40900)
Power consumption	Cooling [kW]	1,55 (0,48 - 2,30)	2,15 (0,67 - 3,30)	3,30 (0,71 - 4,20)
	Heating [kW]	1,52 (0,47 - 2,40)	2,05 (0,65 - 3,30)	3,00 (0,47 - 3,70)
Current consumption	Cooling [A]	6,74 (2,09 - 10,00)	9,34 (2,91 - 14,35)	14,50 (3,20 - 19,50)
	Heating [A]	6,61 (2,04 - 10,43)	8,91 (2,83 - 14,35)	13,00 (2,43 - 16,00)
EER / COP	-	3,42 / 3,75	3,27 / 3,72	3,20 / 3,72
SEER / SCOP	-	6,10 / 4,00	6,20 / 4,00	6,10 / 4,00
Energy efficiency class	Cooling	A++	A++	A++
	Heating	A+	A+	A+
Indoor unit				
Model		AUX-C-18CAF/I	AUX-C-24CAF/I	AUX-C-36CAF/I
Power supply	[V~,Hz,Ph]	220-240, 50, 1	220-240, 50, 1	220-240, 50, 1
Fan motor power	[W]	40	70	120
Fan speed (high/medium/low)	[rpm]	950 / 790 / 690	1000 / 860 / 760	1250 / 1080 / 900
Airflow rate (high/medium/low)	[m³/h]	900 / 720 / 600	1230 / 1020 / 840	2040 / 1740 / 1440
Sound pressure level (high/medium/low)	[dB(A)]	40 / 35 / 33	42 / 38 / 35	50 / 46 / 41
Sound power level	[dB(A)]	51	52	62
Dimensions of the indoor unit	[mm]	1000 x 690 x 235	1280 x 690 x 235	1600 x 690 x 235
Weight of the indoor unit (net)	[kg]	28,0	34,0	39,5
Outdoor unit				
Model		AUX-C-18CAO	AUX-C-24CAO	AUX-C-36CAO
Power supply	[V~,Hz,Ph]	220-240, 50, 1	220-240, 50, 1	220-240, 50, 1
Compressor type	-	rotary	rotary	rotary
Airflow rate	[m³/h]	2600	4200	4000
Sound pressure level	[dB(A)]	55	58	59
Sound power level	[dB(A)]	65	68	69
Dimensions of the outdoor unit	[mm]	785 x 300 x 555	900 x 350 x 700	970 x 395 x 805
Weight of the outdoor unit (net)	[kg]	29	43	61
Refrigerant gas	Type	-	R32	R32
	Factory charge [kg]		1,03	1,45
Pipe connections (diameter)	Liquid [mm(inch)]		6,35 (1/4)	9,52 (3/8)
	Gas [mm(inch)]		12,70 (1/2)	15,88 (5/8)
	Condensate [mm(inch)]		DN20 (R3/4)	DN20 (R3/4)
Maximum piping length	[m]	30	50	65
Maximum height difference	[m]	20	25	30
Operation of the ODU (external temperature)	Cooling [°C]		-15~52	-15~52
	Heating [°C]		-22~24	-22~24
Operating temperature range	[°C]		16~32	16~32

Air conditioning units contain fluorinated greenhouse gases R32. We reserve the right to errors in descriptions, appearance, functions, technical parameters, and dimensional drawings resulting from the continuous improvement of our devices.

CAF Series

AUX-C-(42/48/60)CAF

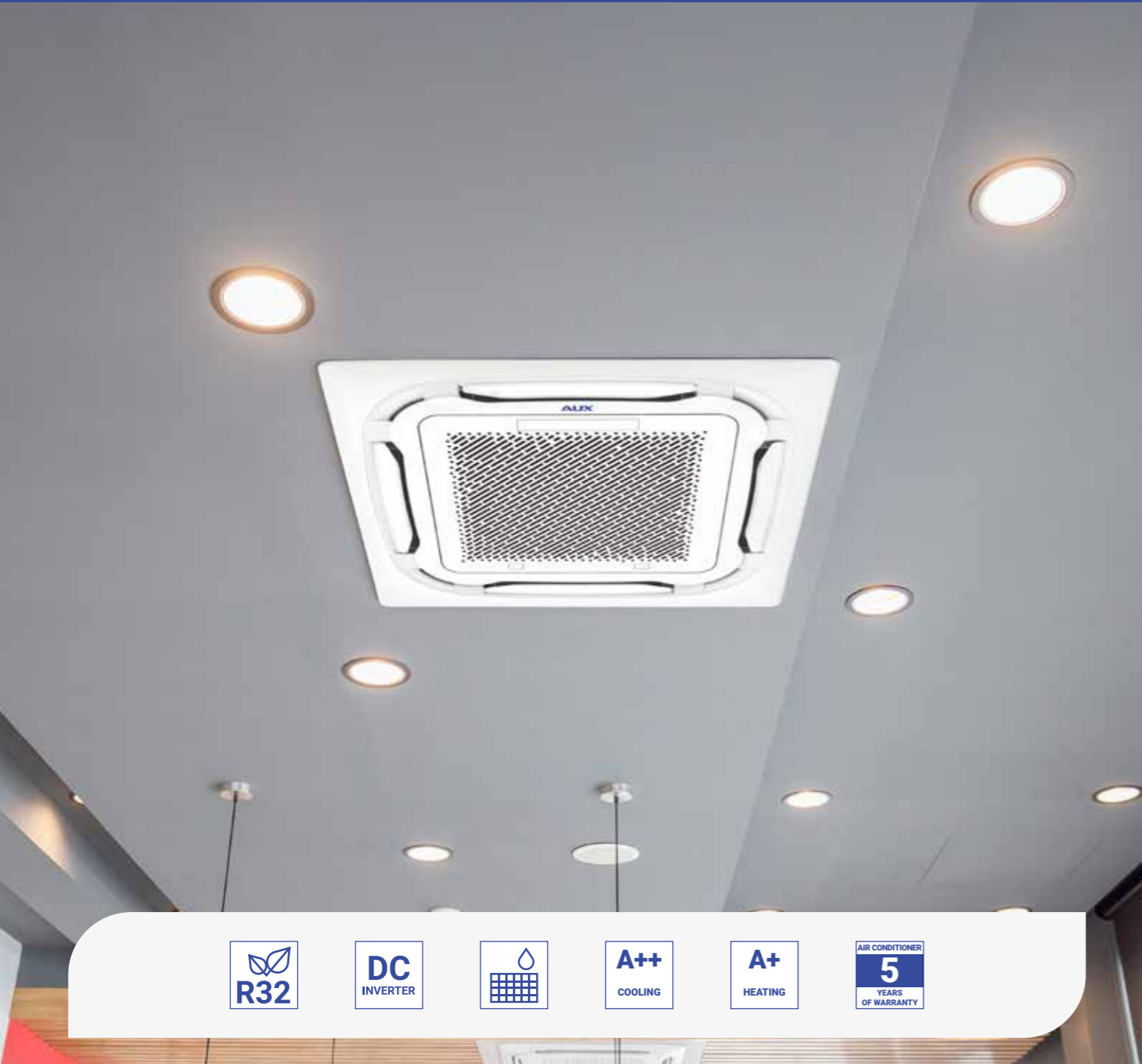


Model		AUX-C-42CAF	AUX-C-48CAF	AUX-C-60CAF
Cooling efficiency	[kW]	12,10 (2,90 - 12,50)	14,00 (4,76 - 14,50)	16,00 (4,76 - 17,50)
	[Btu/h]	42000 (9800 - 42600)	48000 (16241 - 49474)	55000 (16241 - 59710)
Heating efficiency	[kW]	13,50 (2,60 - 14,50)	16,00 (4,78 - 16,50)	17,00 (4,78 - 18,50)
	[Btu/h]	46000 (8800 - 49400)	54600 (16309 - 56298)	58000 (16309 - 63122)
Power consumption	Cooling [kW]	3,80 (0,71 - 4,50)	5,00 (1,71 - 5,90)	5,80 (1,71 - 6,85)
	Heating [kW]	3,50 (0,47 - 4,20)	5,10 (1,71 - 6,05)	4,90 (1,71 - 7,00)
Current consumption	Cooling [A]	17,00 (3,20 - 20,00)	8,80 (1,50 - 12,00)	10,50 (1,50 - 15,00)
	Heating [A]	16,00 (2,43 - 18,50)	8,90 (1,50 - 12,00)	11,00 (1,50 - 15,00)
EER / COP	-	3,18 / 3,86	2,80 / 3,14	2,76 / 3,47
SEER / SCOP	-	... / / / ...
Energy efficiency class	Cooling	A++	A++	A++
	Heating	A+	A+	A+
Indoor unit				
Model		AUX-C-42CAF/I	AUX-C-48CAF/I	AUX-C-60CAF/I
Power supply	[V~,Hz,Ph]	220-240, 50, 1	220-240, 50/60, 1	220-240, 50/60, 1
Fan motor power	[W]	120	120	120
Fan speed (high/medium/low)	[rpm]	1250 / 1080 / 900	1250 / 1080 / 900	1280 / 1100 / 920
Airflow rate (high/medium/low)	[m³/h]	2040 / 1740 / 1440	2040 / 1740 / 1440	2160 / 1820 / 1480
Sound pressure level (high/medium/low)	[dB(A)]	50 / 46 / 41	50 / 46 / 41	51 / 47 / 43
Sound power level	[dB(A)]	62	62	63
Dimensions of the indoor unit	[mm]	1600 x 690 x 235	1600 x 690 x 235	1600 x 690 x 235
Weight of the indoor unit (net)	[kg]	39,5	40,0	41,0
Outdoor unit				
Model		AUX-C-42CAO	AUX-C-48CAO	AUX-C-60CAO
Power supply	[V~,Hz,Ph]	220-240, 50, 1	380-415, 50, 3	380-415, 50, 3
Compressor type	-	rotary	rotary	rotary
Airflow rate	[m³/h]	4000	7200	7200
Sound pressure level	[dB(A)]	60	60	60
Sound power level	[dB(A)]	70	70	70
Dimensions of the outdoor unit	[mm]	970 x 395 x 805	940 x 370 x 1325	940 x 370 x 1325
Weight of the outdoor unit (net)	[kg]	61	81	85
Refrigerant gas	Type	-	R32	R32
	Factory charge [kg]		2,75	2,70
Pipe connections (diameter)	Liquid [mm(inch)]		9,52 (3/8)	9,52 (3/8)
	Gas [mm(inch)]		15,88 (5/8)	15,88 (5/8)
	Condensate [mm(inch)]		DN20 (R3/4)	DN20 (R3/4)
Maximum piping length	[m]	65	65	65
Maximum height difference	[m]	30	30	30
Operation of the ODU (external temperature)	Cooling [°C]		-15~52	-15~52
	Heating [°C]		-22~24	-22~24
Operating temperature range	[°C]		16~32	16~32

Air conditioning units contain fluorinated greenhouse gases R32. We reserve the right to errors in descriptions, appearance, functions, technical parameters, and dimensional drawings resulting from the continuous improvement of our devices.

Cassette units

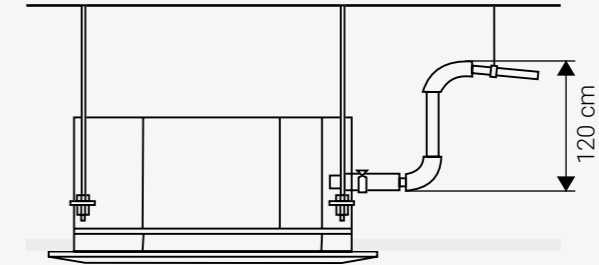
AUX-C-(12/18/24/36/42/48/60)CAC



In-built condensate pump

Lift height up to 120 cm

The cassette unit is equipped with a condensate pump, which allows the drainage of water condensate up to a height of 120 cm above the level of the condensate tray.



Perimeter airflow 360°

Effective air distribution



Thanks to the specially designed construction of the decorative panel, the AUX cassette air conditioner can cool every corner of the room and provide maximum comfort to all users. Additional outlets in the corners of the panel allow air to be directed in all directions, eliminating the possibility of creating zones with uneven temperature distribution. The perimeter airflow technology ensures the delivery of cooled air in a 360° range and guarantees effective air conditioning, even in large spaces.

HEALTH



Washable air filter

ECOLOGY



R32 Refrigerant

CONVENIENCE



Wireless controller



24H timer

COMFORT



Cooling mode



Fast cooling / heating



Heating mode



Auto mode



Fan mode

COMFORT



Dehumidification mode



Vertical movement of the air louvers



Anti-Cold-Air mode



Night mode



I FEEL mode



Turbo mode

TECHNOLOGY



Inverter technology



Intelligent defrosting



Hydrophilic aluminium blades



Automatic restart



Super EMC



Cooling in low temperatures



We reserve the right to errors in descriptions, appearance, functions, technical parameters, and dimensional drawings resulting from the continuous improvement of our devices.

Cassette units

CAC Series

AUX-C-(12/18/24)CAC

Model		AUX-C-12CAC	AUX-C-18CAC	AUX-C-24CAC
Cooling efficiency	[kW]	3,52 (1,35 - 4,40)	5,28 (1,53 - 5,60)	7,03 (2,16 - 8,20)
	[Btu/h]	12000 (4600 - 15000)	18000 (5200 - 19100)	24000 (7400 - 28000)
Heating efficiency	[kW]	3,81 (1,24 - 5,30)	5,60 (1,40 - 6,20)	7,91 (1,98 - 9,30)
	[Btu/h]	13000 (4200 - 18100)	19100 (4800 - 21200)	27300 (6800 - 31700)
Power consumption	Cooling [kW]	1,03 (0,26 - 1,60)	1,55 (0,47 - 2,30)	2,10 (0,67 - 3,30)
	Heating [kW]	1,02 (0,19 - 1,51)	1,51 (0,46 - 2,25)	2,13 (0,65 - 3,30)
Current consumption	Cooling [A]	4,48 (1,13 - 6,96)	6,74 (2,04 - 10,00)	9,13 (2,91 - 14,35)
	Heating [A]	4,43 (0,83 - 6,57)	6,57 (2,00 - 9,78)	9,26 (2,83 - 14,35)
EER / COP	-	3,41 / 3,73	3,41 / 3,71	3,35 / 3,71
SEER / SCOP	-	6,10 / 4,00	6,10 / 4,00	6,10 / 4,00
Energy efficiency class	Cooling	A++	A++	A++
	Heating	A+	A+	A+
Indoor unit		AUX-C-12CAC/I	AUX-C-18CAC/I	AUX-C-24CAC/I
Decorative panel	-	AUX-P-01	AUX-P-01	AUX-P-02
Power supply	[V~,Hz,Ph]	220-240, 50, 1	220-240, 50, 1	220-240, 50, 1
Fan motor power	[W]	30	30	100
Fan speed (high/medium/low)	[rpm]	720 / 660 / 530	840 / 720 / 660	580 / 530 / 470
Airflow rate (high/medium/low)	[m³/h]	700 / 620 / 530	760 / 650 / 580	1500 / 1350 / 1200
Sound pressure level (high/medium/low)	[dB(A)]	42 / 38 / 35	44 / 41 / 38	46 / 45 / 43
Sound power level	[dB(A)]	52	56	56
Dimensions of the indoor unit	[mm]	570 x 570 x 260	570 x 570 x 260	840 x 840 x 246
Weight of the indoor unit (net)	[kg]	15,5	15,5	26,0
Dimensions of the panel	[mm]	650 x 650 x 55	650 x 650 x 55	950 x 950 x 55
Weight of the panel (net)	[kg]	2,2	2,2	5,3
Outdoor unit		AUX-C-12CAO	AUX-C-18CAO	AUX-C-24CAO
Power supply	[V~,Hz,Ph]	220-240, 50, 1	220-240, 50, 1	220-240, 50, 1
Compressor type	-	rotary	rotary	rotary
Airflow rate	[m³/h]	2000	2600	4200
Sound pressure level	[dB(A)]	54	55	58
Sound power level	[dB(A)]	64	65	68
Dimensions of the outdoor unit	[mm]	709 x 283 x 536	785 x 300 x 555	900 x 350 x 700
Weight of the outdoor unit (net)	[kg]	23	29	43
Refrigerant gas	Type	-	R32	R32
	Factory charge [kg]	0,78	1,03	1,45
Pipe connections (diameter)	Liquid [mm(inch)]	6,35 (1/4)	6,35 (1/4)	9,52 (3/8)
	Gas [mm(inch)]	12,70 (1/2)	12,70 (1/2)	15,88 (5/8)
	Condensate [mm(inch)]	DN20 (R3/4)	DN20 (R3/4)	DN20 (R3/4)
Maximum piping length	[m]	25	30	50
Maximum height difference	[m]	10	20	25
Operation of the ODU (external temperature)	Cooling [°C]	-15~52	-15~52	-15~52
	Heating [°C]	-22~24	-22~24	-22~24
Operating temperature range	[°C]	16~32	16~32	16~32

We reserve the right to errors in descriptions, appearance, functions, technical parameters, and dimensional drawings resulting from the continuous improvement of our devices.



CAC Series

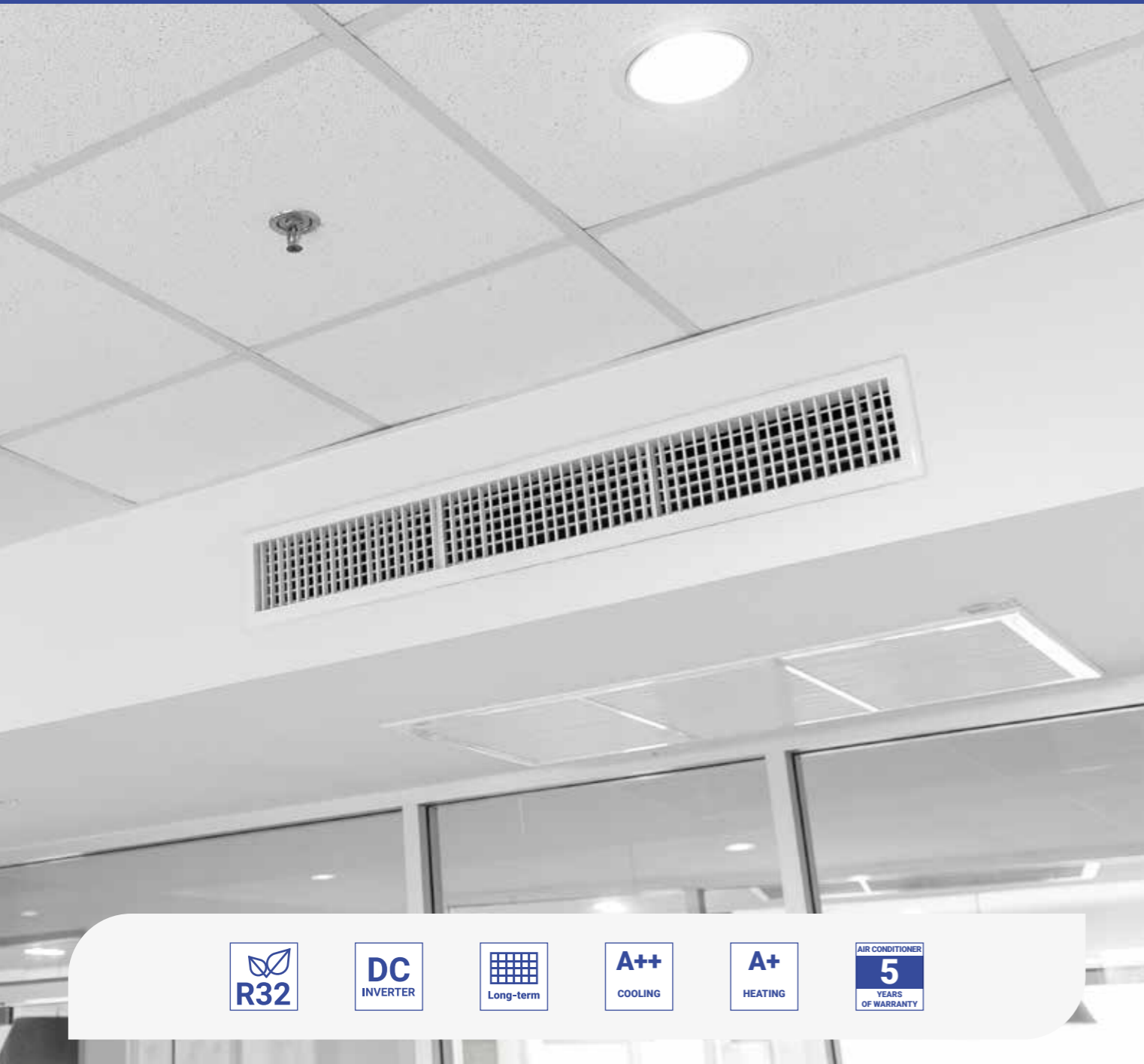
AUX-C-(36/42/48/60)CAC

Model		AUX-C-36CAC	AUX-C-42CAC	AUX-C-48CAC	AUX-C-60CAC
Cooling efficiency	[kW]	10,55 (2,90 - 11,50)	12,10 (2,90 - 12,50)	14,00 (4,76 - 14,50)	16,00 (4,76 - 17,50)
	[Btu/h]	36000 (9800 - 39200)	42000 (9800 - 42600)	48000 (16241 - 49474)	55000 (16241 - 59710)
Heating efficiency	[kW]	11,15 (2,60 - 12,00)	13,50 (2,60 - 14,50)	16,00 (4,78 - 17,30)	17,00 (4,78 - 18,50)
	[Btu/h]	38000 (8800 - 40900)	46000 (8800 - 49400)	55000 (16309 - 59028)	58000 (16308 - 63122)
Power consumption	Cooling [kW]	3,30 (0,71 - 4,20)	3,80 (0,71 - 4,50)	4,65 (1,71 - 5,90)	5,25 (1,71 - 6,85)
	Heating [kW]	3,00 (0,47 - 3,70)	3,50 (0,47 - 4,20)	4,58 (1,71 - 6,05)	5,05 (1,71 - 7,00)
Current consumption	Cooling [A]	14,50 (3,20 - 19,50)	17,00 (3,20 - 20,00)	8,10 (1,50 - 12,00)	9,00 (1,50 - 12,00)
	Heating [A]	13,00 (2,43 - 16,00)	16,00 (2,43 - 18,50)	8,00 (1,50 - 12,00)	8,50 (1,50 - 12,00)
EER / COP	-	3,20 / 3,72	3,18 / 3,86	3,01 / 3,49	3,05 / 3,37
SEER / SCOP	-	6,10 / 4,00	... / / / ...
Energy efficiency class	Cooling	A++	A++	A++	A++
	Heating	A+	A+	A+	A+
Indoor unit		AUX-C-36CAC/I	AUX-C-42CAC/I	AUX-C-48CAC/I	AUX-C-60CAC/I
Decorative panel	-	AUX-P-02	AUX-P-02	AUX-P-02	AUX-P-02
Power supply	[V~,Hz,Ph]	220-240, 50, 1	220-240, 50, 1	220-240, 50/60, 1	220-240, 50/60, 1
Fan motor power	[W]	100	100	100	100
Fan speed (high/medium/low)	[rpm]	750 / 700 / 650	750 / 700 / 650	750 / 700 / 650	750 / 700 / 650
Airflow rate (high/medium/low)	[m³/h]	2000 / 1700 / 1600	2000 / 1700 / 1600	2000 / 1700 / 1600	2000 / 1700 / 1600
Sound pressure level (high/medium/low)	[dB(A)]	52 / 50 / 48	52 / 50 / 48	51 / 49 / 47	53 / 49 / 47
Sound power level	[dB(A)]	62	62	62	52
Dimensions of the indoor unit	[mm]	840 x 840 x 288	840 x 840 x 288	840 x 840 x 288	840 x 840 x 288
Weight of the indoor unit (net)	[kg]	29,0	29,0	29,5	29,5
Dimensions of the panel	[mm]	950 x 950 x 55	950 x 950 x 55	950 x 950 x 55	950 x 950 x 55
Weight of the panel (net)	[kg]	5,3	5,3	5,3	5,3
Outdoor unit		AUX-C-36CAO	AUX-C-42CAO	AUX-C-48CAO	AUX-C-60CAO
Power supply	[V~,Hz,Ph]	220-240, 50, 1	220-240, 50, 1	380-415, 50, 3	380-415, 50, 3
Compressor type	-	rotary	rotary	rotary	rotary
Airflow rate	[m³/h]	4000	4000	7200	7200
Sound pressure level	[dB(A)]	59	60	60	60
Sound power level	[dB(A)]	69	70	70	70
Dimensions of the outdoor unit	[mm]	970 x 395 x 805	970 x 395 x 805	940 x 370 x 1325	940 x 370 x 1325
Weight of the outdoor unit (net)	[kg]	61	61	81	85
Refrigerant gas	Type	-	R32	R32	R32
	Factory charge [kg]	2,75	2,75	2,70	3,05
Pipe connections (diameter)	Liquid [mm(inch)]	9,52 (3/8)	9,52 (3/8)	9,52 (3/8)	9,52 (3/8)
	Gas [mm(inch)]	15,88 (5/8)	15,88 (5/8)	15,88 (5/8)	15,88 (5/8)
	Condensate [mm(inch)]	DN20 (R3/4)	DN20 (R3/4)	DN20 (R3/4)	DN20 (R3/4)
Maximum piping length	[m]	65	65	65	65
Maximum height difference	[m]	30	30	30	30
Operation of the ODU (external temperature)	Cooling [°C]	-15~52	-15~52	-15~52	-15~52
	Heating [°C]	-22~24	-22~24	-22~24	-22~24
Operating temperature range	[°C]	16~32	16~32	16~32	16~32

We reserve the right to errors in descriptions, appearance, functions, technical parameters, and dimensional drawings resulting from the continuous improvement of our devices.

Ducted units

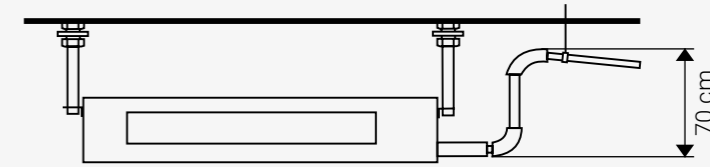
AUX-C-(12/18/24/30/36/42/48/60)CAD



In-built condensate pump

Lift height up to 70 cm

The AUX ducted unit can be additionally equipped with a condensate pump, which allows the drainage of water condensate up to a height of 70 cm above the level of the condensate tray.

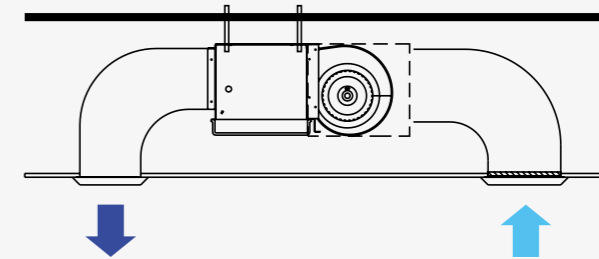


Flexible installation

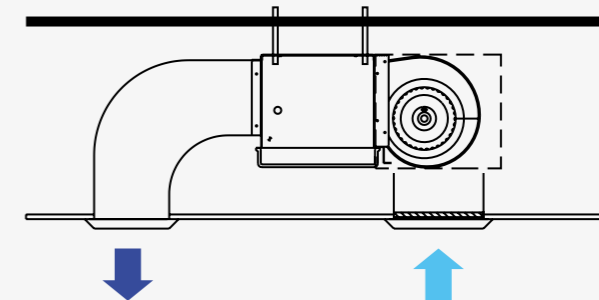
Two air intake options

The design of the ducted unit allows for two methods of installing the air intake duct, providing great flexibility in system design. By default, the air intake is located at the rear of the unit. If the room layout requires it, air can also be drawn through the bottom intake opening (optional).

Air intake from the rear of the unit



Air outlet from the bottom



HEALTH



Long-term

Durable air filter

ECOLOGY



R32

R32 Refrigerant

CONVENIENCE



Wired controller



24H timer



Optional wireless controller

COMFORT



Cooling mode



Fast cooling / heating



Heating mode



Auto mode



Fan mode

COMFORT



Dehumidification mode



Anti-Cold-Air mode



Night mode



I FEEL mode



Turbo mode

TECHNOLOGY



Inverter technology



Intelligent defrosting



Hydrophilic aluminium blades



Automatic restart



Super EMC



Cooling in low temperatures



Ducted units

CAD Series

AUX-C-(12/18/24/30)CAD

Model		AUX-C-12CAD	AUX-C-18CAD	AUX-C-24CAD	AUX-C-30CAD
Cooling efficiency	[kW]	3,52 (1,35 - 4,40)	5,28 (1,53 - 5,60)	7,03 (2,16 - 8,20)	8,65 (2,49 - 9,20)
	[Btu/h]	12000 (4600 - 15000)	18000 (5200 - 19100)	24000 (7400 - 28000)	29500 (8490 - 31390)
Heating efficiency	[kW]	3,81 (1,24 - 5,30)	5,60 (1,40 - 6,20)	7,91 (1,98 - 9,30)	9,20 (2,86 - 9,60)
	[Btu/h]	13000 (4200 - 18100)	19100 (4800 - 21200)	27000 (6800 - 31700)	31390 (9760 - 32760)
Power consumption	Cooling [kW]	1,03 (0,26 - 1,60)	1,55 (0,47 - 2,30)	2,17 (0,67 - 3,30)	2,55 (0,71 - 3,30)
	Heating [kW]	1,02 (0,19 - 1,51)	1,49 (0,46 - 2,25)	2,13 (0,65 - 3,30)	2,40 (0,67 - 3,30)
Current consumption	Cooling [A]	4,48 (1,13 - 6,96)	6,73 (2,04 - 10,00)	9,43 (2,91 - 14,35)	11,09 (3,09 - 14,35)
	Heating [A]	4,43 (0,83 - 6,57)	6,48 (2,00 - 9,78)	9,26 (2,83 - 14,35)	10,43 (2,91 - 14,35)
EER / COP	-	3,41 / 3,73	3,40 / 3,76	3,24 / 3,71	3,39 / 3,83
SEER / SCOP	-	6,10 / 4,00	6,10 / 4,00	6,10 / 4,00	6,10 / 4,00
Energy efficiency class	Cooling	-	A++	A++	A++
	Heating	-	A+	A+	A+

Indoor unit		AUX-C-12CAD/I	AUX-C-18CAD/I	AUX-C-24CAD/I	AUX-C-30CAD/I
Power supply	[V~,Hz,Ph]	220-240, 50, 1	220-240, 50, 1	220-240, 50, 1	220-240, 50, 1
Fan motor power	[W]	120	120	200	200
Fan speed (high/medium/low)	[rpm]	980 / 880 / 800	1180 / 1050 / 930	1200 / 1065 / 960	1350 / 1245 / 1110
Airflow rate (high/medium/low)	[m³/h]	720 / 600 / 500	900 / 750 / 630	1400 / 1190 / 980	1600 / 1400 / 1100
Sound pressure level (high/medium/low)	[dB(A)]	37 / 34 / 32	44 / 41 / 37	43 / 41 / 39	46 / 44 / 41
Sound power level	[dB(A)]	-	54	55	57
Dimensions of the indoor unit	[mm]	700 x 700 x 245	700 x 700 x 245	1000 x 700 x 245	1000 x 700 x 245
Weight of the indoor unit (net)	[kg]	21	22	32	32

Outdoor unit		AUX-C-12CAO	AUX-C-18CAO	AUX-C-24CAO	AUX-C-30CAO
Power supply	[V~,Hz,Ph]	220-240, 50, 1	220-240, 50, 1	220-240, 50, 1	220-240, 50, 1
Compressor type	-	rotary	rotary	rotary	rotary
Airflow rate	[m³/h]	2000	2600	4200	4200
Sound pressure level	[dB(A)]	54	55	58	58
Sound power level	[dB(A)]	64	65	68	68
Dimensions of the outdoor unit	[mm]	709 x 283 x 536	785 x 300 x 555	900 x 350 x 700	900 x 350 x 700
Weight of the outdoor unit (net)	[kg]	23,0	29,0	43,0	50,0
Refrigerant gas	Type	-	R32	R32	R32
	Factory charge [kg]	0,78	1,03	1,45	1,65
Pipe connections (diameter)	Liquid [mm(inch)]	6,35 (1/4)	6,35 (1/4)	9,52 (3/8)	9,52 (3/8)
	Gas [mm(inch)]	12,70 (1/2)	12,70 (1/2)	15,88 (5/8)	15,88 (5/8)
	Condensate [mm(inch)]	DN20 (R3/4)	DN20 (R3/4)	DN20 (R3/4)	DN20 (R3/4)
Maximum piping length	[m]	25	30	50	50
Maximum height difference	[m]	10	20	25	25
Operation of the ODU (external temperature)	Cooling [°C]	-15~52	-15~52	-15~52	-15~52
	Heating [°C]	-22~24	-22~24	-22~24	-22~24
Operating temperature range	[°C]	16~32	16~32	16~32	16~32

Air conditioning units contain fluorinated greenhouse gases R32. We reserve the right to errors in descriptions, appearance, functions, technical parameters, and dimensional drawings resulting from the continuous improvement of our devices.



CAD Series

AUX-C-(36/42/48/60)CAD

Model		AUX-C-36CAD	AUX-C-42CAD	AUX-C-48CAD	AUX-C-60CAD
Cooling efficiency	[kW]	10,55 (2,90 - 11,00)	12,10 (2,90 - 13,00)	14,00 (4,76 - 16,60)	16,00 (4,76 - 17,50)
	[Btu/h]	36000 (9800 - 37500)	42000 (9800 - 44300)	48000 (16241 - 56639)	55000 (16241 - 59710)
Heating efficiency	[kW]	11,15 (2,60 - 11,50)	13,50 (2,60 - 14,00)	16,00 (4,78 - 18,40)	17,00 (4,78 - 18,50)
	[Btu/h]	38000 (8800 - 39200)	46000 (8800 - 47700)	55000 (16309 - 62781)	58000 (16308 - 63122)
Power consumption	Cooling [kW]	3,50 (0,71 - 4,20)	3,90 (0,71 - 4,50)	4,80 (1,71 - 5,90)	5,60 (1,71 - 6,85)
	Heating [kW]	3,00 (0,47 - 3,70)	3,50 (0,47 - 4,20)	4,50 (1,71 - 6,05)	4,80 (1,71 - 7,00)
Current consumption	Cooling [A]	15,80 (3,20 - 19,50)	18,00 (3,20 - 20,00)	8,40 (1,50 - 12,00)	10,00 (1,50 - 12,00)
	Heating [A]	13,00 (2,43 - 16,00)	16,00 (2,43 - 18,50)	8,00 (1,50 - 12,00)	8,00 (1,50 - 12,00)
EER / COP	-	3,01 / 3,72	3,10 / 3,86	2,92 / 3,56	2,86 / 3,54
SEER / SCOP	-	6,10 / 4,00	... / / / ...
Energy efficiency class	Cooling	-	A++	A++	A++
	Heating	-	A+	A+	A+

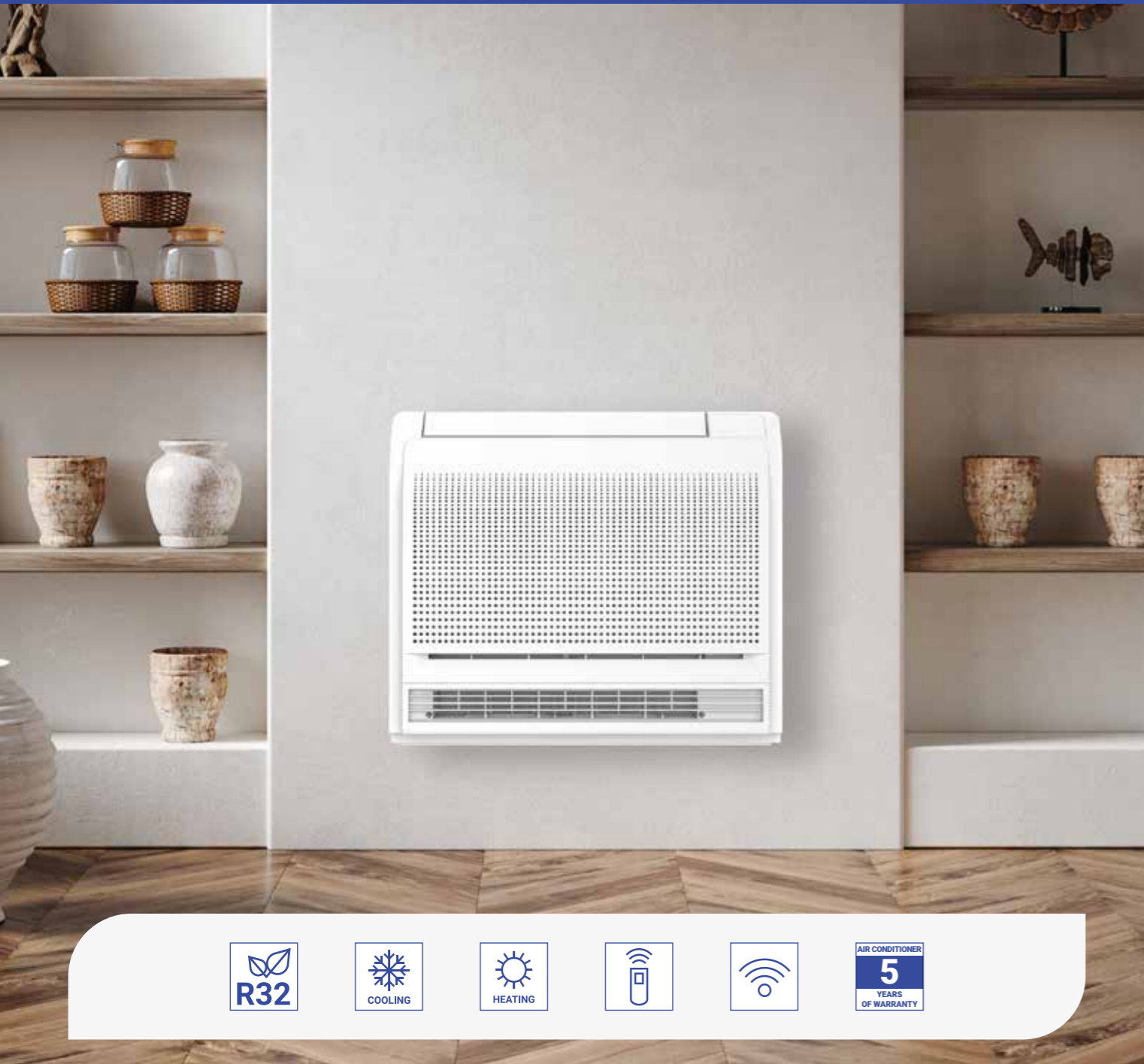
Indoor unit		AUX-C-36CAD/I	AUX-C-42CAD/I	AUX-C-48CAD/I	AUX-C-60CAD/I
Power supply	[V~,Hz,Ph]	220-240, 50, 1	220-240, 50, 1	220-240, 50/60, 1	220-240, 50/60, 1
Fan motor power	[W]	300	300	300	300
Fan speed (high/medium/low)	[rpm]	1245 / 1170 / 1095	1245 / 1170 / 1095	1425 / 1305 / 1200	1425 / 1305 / 1200
Airflow rate (high/medium/low)	[m³/h]	2040 / 1800 / 1600	2040 / 1800 / 1600	2300 / 2000 / 1700	2300 / 2000 / 1700
Sound pressure level (high/medium/low)	[dB(A)]	44 / 42 / 41	44 / 42 / 41	52 / 45 / 43	52 / 47 / 43
Sound power level	[dB(A)]	55	55	64	64
Dimensions of the indoor unit	[mm]	1400 x 700 x 245	1400 x 700 x 245	1400 x 700 x 245	1400 x 700 x 245
Weight of the indoor unit (net)	[kg]	38	38	38	38

Outdoor unit		AUX-C-36CAO	AUX-C-42CAO	AUX-C-48CAO	AUX-C-60CAO
Power supply	[V~,Hz,Ph]	220-240, 50, 1	220-240, 50, 1	380-415, 50, 3	380-415, 50, 3
Compressor type	-	rotary	rotary	rotary	rotary
Airflow rate	[m³/h]	4000	4000	7200	7200
Sound pressure level	[dB(A)]	59	60	60	60
Sound power level	[dB(A)]	69	70	70	70
Dimensions of the outdoor unit	[mm]	970 x 395 x 805	970 x 395 x 805	940 x 370 x 1325	940 x 370 x 1325
Weight of the outdoor unit (net)	[kg]	61,0	61,0	81,0	85,0
Refrigerant gas	Type	-	R32	R32	R32
	Factory charge [kg]	2,75	2,75	2,70	3,05
Pipe connections (diameter)	Liquid [mm(inch)]	9,52 (3/8)	9,52 (3/8)	9,52 (3/8)	9,52 (3/8)
	Gas [mm(inch)]	15,88 (5/8)	15,88 (5/8)	15,88 (5/8)	15,88 (5/8)
	Condensate [mm(inch)]	DN20 (R3/4)	DN20 (R3/4)	DN20 (R3/4)	DN20 (R3/4)
Maximum piping length	[m]	65	65	65	65
Maximum height difference	[m]	30	30	30	30
Operation of the ODU (external temperature)	Cooling [°C]	-15~52	-15~52	-15~52	-15~52
	Heating [°C]	-22~24	-22~24	-22~24	-22~24
Operating temperature range	[°C]	16~32	16~32	16~32	16~32

Air conditioning units contain fluorinated greenhouse gases R32. We reserve the right to errors in descriptions, appearance, functions, technical parameters, and dimensional drawings resulting from the continuous improvement of our devices.

Console units

AUX-K12/16



Highest quality compressor

Both indoor and outdoor units use advanced DC inverter technology, which is characterised by high efficiency and energy savings. This allows the systems to operate more effectively, significantly reducing energy consumption. Inverter technology enables smooth adjustment of the unit's power to meet current needs, eliminating energy losses caused by frequent switching on and off.



Model		AUX-K12	AUX-K16	
Cooling efficiency	[kW]	3,50 (1,35 - 4,40)	4,70 (1,53 - 5,60)	
	[Btu/h]	12000 (4600 - 15000)	16036 (5200 - 19100)	
Heating efficiency	[kW]	3,50 (1,24 - 5,30)	5,00 (1,40 - 6,20)	
	[Btu/h]	12000 (4200 - 18100)	17060 (4800 - 21200)	
Power supply	[V~,Hz,Ph]	220-240, 50, 1	220-240, 50, 1	
Power consumption in cooling mode	[W]	1030 (260 - 1600)	1450 (470 - 2300)	
Power consumption in heating mode	[W]	940 (190 - 1510)	1340 (460 - 2250)	
Fan motor power	[W]	35	35	
Fan speed (high / medium / low)	[rpm]	650 / 590 / 550 / 480	690 / 610 / 550 / 480	
Airflow rate (high / medium / low)	[m3/h]	600 / 530 / 430	650 / 550 / 450	
Sound pressure level	[dB(A)]	42 / 39 / 36	44 / 40 / 37	
Sound power level	[dB(A)]	52	56	
Unit dimensions (width x depth x height)	[mm]	700 x 225 x 600	700 x 225 x 600	
Weight of the unit (net)	[kg]	15,0	15,0	
Refrigerant gas		R32	R32	
Pipe connections (diameter)	Liquid	[mm(inch)]	6,35 (1/4)	6,35 (1/4)
	Gas	[mm(inch)]	12,70 (1/2)	12,70(1/2)
	Condensate	[mm]	20	20

HEALTH

- Long-term Durable air filter
- Washable air filter

ECOLOGY

- R32 Refrigerant

CONVENIENCE

- Wireless controller
- 24H timer
- In-built Wi-Fi module
- Optional wired controller

COMFORT

- COOLING
- Fast cooling / heating
- HEATING
- AUTO

COMFORT

- VENTILATION Fan mode
- DRY MODE Dehumidification mode
- Vertical movement of the air louvers
- Anti-Cold-Air mode
- Night mode
- I FEEL mode
- Turbo mode

TECHNOLOGY

- DC INVERTER Inverter technology
- Intelligent defrosting
- Hydrophilic aluminium blades
- Automatic restart
- SUPER EMC Super EMC

TECHNOLOGY



Cooling in low temperatures

We reserve the right to errors in descriptions, appearance, functions, technical parameters, and dimensional drawings resulting from the continuous improvement of our devices.

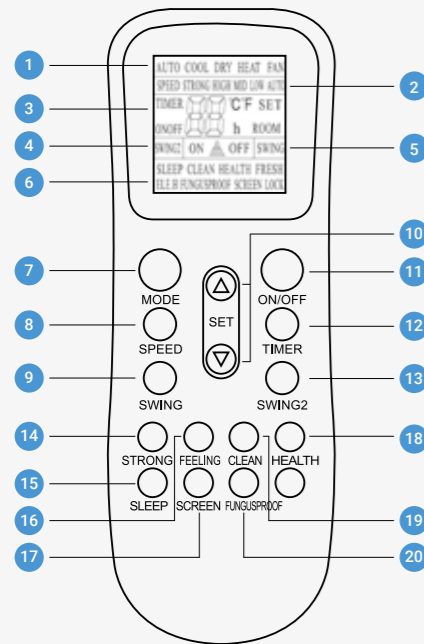
A NEW DIMENSION OF QUALITY

AUX
AIR CONDITIONER

accessories
and control

Wireless controller type K

Application (standard):
Application (optional): ducted units LCAC



FUNCTIONS

- Turning on and off ON/OFF
- Setting the fan speed
- Setting the temperature 16°C-32°C
- Setting the operating mode
- Vertical/horizontal swing
- Timer
- I FEEL mode
- High fan speed STRONG
- Night mode
- Turning the LCD display on/off
- Self-cleaning function CLEAN
- Dehumidification and mould protection mode

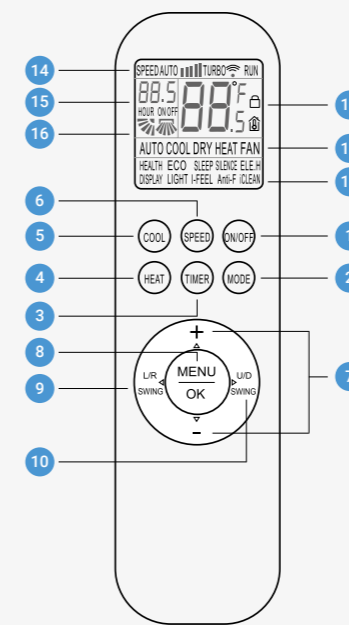
- | | |
|--|---|
| 1 Operating mode display | 11 Turning the air conditioner on/off |
| 2 Fan speed display | 12 Timer function setting button |
| 3 Temperature, time, timer, etc. display | 13 Vertical louvers movement selection button |
| 4 Airflow louver movement display | 14 Fast cooling/heating mode |
| 5 Turning the LCD display on/off | 15 Night mode |
| 6 Function display | 16 I FEEL smart temperature reading mode |
| 7 Air conditioner mode selection button | 17 Turning the LCD display on/off |
| 8 Fan speed selection button | 18 HEALTH mode |
| 9 Horizontal louvers movement selection button | 19 Self-cleaning mode |
| 10 Setting the temperature range from 16°C to 32°C | 20 Dehumidification and mould protection mode |

Note: The drawing is a general representation of the remote control, featuring almost all functional buttons. It may slightly differ from the actual object (depending on the model).

Wireless controller type T

Application (standard): RAC air conditioners J-Smart, RAC air conditioners J-Smart Art, RAC air conditioners Q-Smart Plus II, RAC air conditioners Q-Smart Eco, RAC air conditioners Q-Smart Premium Grey

Application (optional):



FUNCTIONS

- Turning on and off ON/OFF
- Setting the fan speed
- Setting the temperature 16°C-32°C
- Setting the operating mode
- Vertical/horizontal swing
- Timer
- I FEEL mode
- Turbo mode
- Sleep mode
- Additional heater function ELE. H.
- Turning the LCD display on/off
- Self-cleaning function
- Silent mode
- Mould protection mode
- Eco mode
- Smart lighting function
- Health mode
- Child-lock mode

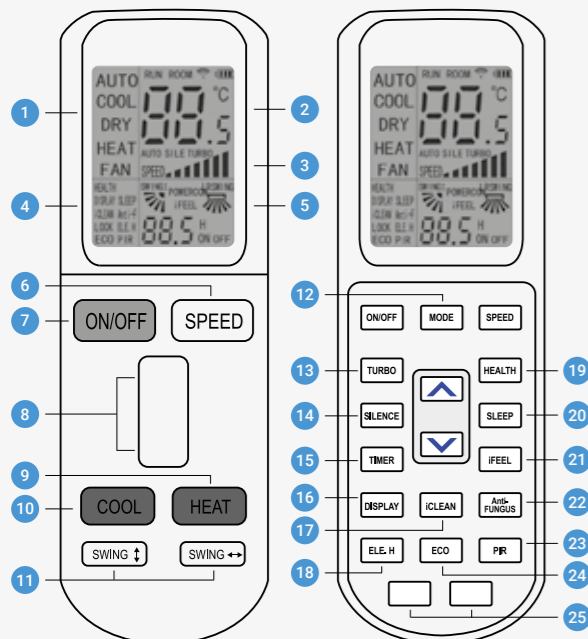
- | | |
|---|--|
| 1 Turning the air conditioner on/off | 9 Vertical louvers movement selection button |
| 2 Air conditioner mode selection button | 10 Horizontal louvers movement selection button |
| 3 Timer function setting button | 11 Temperature display |
| 4 Button for direct activation of heating mode | 12 Operating mode display |
| 5 Button for direct activation of cooling mode | 13 Function display |
| 6 Fan speed selection button | 14 Fan speed display |
| 7 Setting the temperature range from 16°C to 32°C | 15 Timer function display |
| 8 Button to activate function selection mode | 16 Vertical and horizontal louver settings display |

Note: The drawing is a general representation of the remote control, featuring almost all functional buttons. It may slightly differ from the actual object (depending on the model).

Wireless controller type L

Application (standard): cassette units CAC, floor-ceiling units CAC

Application (optional): ducted units CAC



FUNCTIONS

- Turning on and off ON/OFF
- Setting the fan speed
- Setting the temperature 16°C-32°C
- Setting the operating mode
- Vertical/horizontal swing
- Timer
- I FEEL mode
- Turbo mode
- High fan speed
- Night mode
- Turning the LCD display on/off
- Self-cleaning function CLEAN
- Silent mode
- Mould protection mode
- Eco mode
- Backlit remote control display

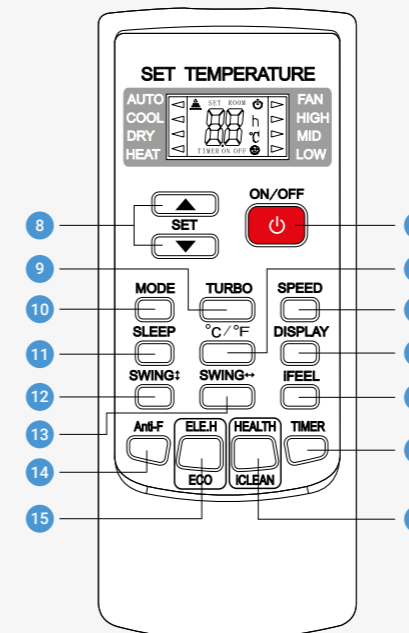
- | | |
|--|--|
| 1 Operating mode display | 14 Silent operation mode |
| 2 Temperature display | 15 Timer function setting button |
| 3 Fan speed display | 16 Turning the LCD display on/off |
| 4 Function display | 17 Self-cleaning mode |
| 5 Airflow louver movement display, I FEEL, etc. | 18 On/off auxiliary heater internal unit |
| 6 Fan speed selection button | 19 Health mode |
| 7 Turning the air conditioner on/off | 20 Night mode |
| 8 Setting the temperature range from 16°C to 32°C | 21 I FEEL smart temperature sensing function |
| 9 Heating mode | 22 Dehumidification and mould protection mode |
| 10 Cooling mode | 23 Selection of horizontal air louver position |
| 11 Horizontal and vertical louver movement buttons | 24 Eco mode |
| 12 Air conditioner mode selection buttons | 25 Addressing settings |
| 13 Turbo mode - highest fan speed | |

Note: The drawing is a general representation of the remote control, featuring almost all functional buttons. It may slightly differ from the actual object (depending on the model).

Wireless controller type H

Application (standard): mobile air conditioners AUX-12MI

Application (optional):



FUNCTIONS

- Turning on and off ON/OFF
- Setting the fan speed
- Setting the temperature 16°C-32°C
- Setting the operating mode
- Vertical/horizontal swing
- Timer
- I FEEL mode
- Turbo mode
- Night mode
- Additional heater function ELE. H.
- Turning the LCD display on/off
- Self-cleaning function
- Health mode
- Mould protection mode
- Eco mode

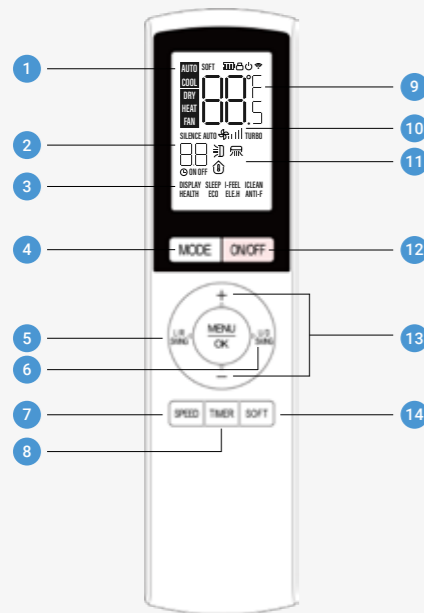
- | | |
|---|---|
| 1 Turning the air conditioner on/off | 9 Turbo mode - maximum fan speed |
| 2 Setting the temperature range | 10 Air conditioner mode selection button |
| 3 Fan speed selection button | 11 Night mode operation selection buttons |
| 4 Turning the display on/off | 12 Horizontal louver movement selection buttons |
| 5 I FEEL smart temperature sensing function | 13 Vertical louver movement selection function |
| 6 Timer function setting button | 14 Mould protection function |
| 7 Health function/self-cleaning button | 15 Button to turn on/off the additional electric heater/economic Eco mode |

Note: The drawing is a general representation of the remote control, featuring almost all functional buttons. It may slightly differ from the actual object (depending on the model).

Wireless controller type C

Application (standard): RAC air conditioners C-Pro, RAC air conditioners C-Smart Premium White, RAC air conditioners C-Smart Premium Crystal, RAC air conditioners C-Smart Premium Onyx, RAC air conditioners C-Smart White.

Application (optional):



FUNCTIONS

- Turning on and off ON/OFF
- Setting the fan speed
- Setting the temperature 16°C-32°C
- Setting the operating mode
- Vertical/horizontal swing
- Timer
- I FEEL mode
- Turbo mode
- Sleep mode
- Additional heater function ELE. H.
- Turning the LCD display on/off
- Self-cleaning function CLEAN
- Silent mode
- Mould protection mode
- Eco mode
- Smart lighting function
- Health mode
- Child-lock mode

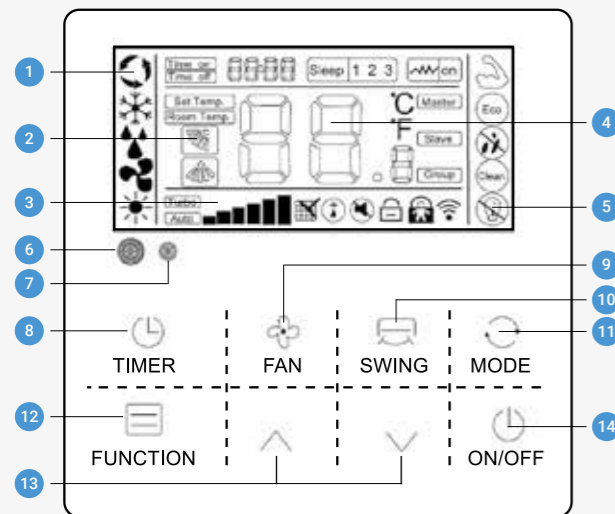
- 1 Operating mode display
- 2 Timer function display
- 3 Function display
- 4 Air conditioner mode selection buttons
- 5 Vertical louvers movement selection button
- 6 Horizontal louvers movement selection button
- 7 Fan speed selection button
- 8 Timer function setting button
- 9 Temperature display
- 10 Fan speed display
- 11 Airflow louver movement display, I FEEL, etc.
- 12 Turning the air conditioner on/off
- 13 Setting the temperature range from 16°C to 32°C
- 14 Gentle breeze function

Note: The drawing is a general representation of the remote control, featuring almost all functional buttons. It may slightly differ from the actual object (depending on the model).

Wireless controller type XK-05

Application (standard): ducted units CAC

Application (optional):



FUNCTIONS

- Touch panel with 8 buttons
- LCD display with white back-lighting
- Turning on and off on/off
- Setting the fan speed
- Setting the temperature 16°C-32°C
- Self-cleaning function
- Turbo mode
- Silent operation mode
- Vertical/horizontal swing
- Sleep mode
- Eco mode
- „Light Sensation“ lighting sensor function
- „Mildew-proof“ mould prevention mode
- Filter contamination indicator
- Ambient temperature sensor
- Receiver for the wireless remote control signal
- Buzzer sound signal function
- Main controller malfunction display

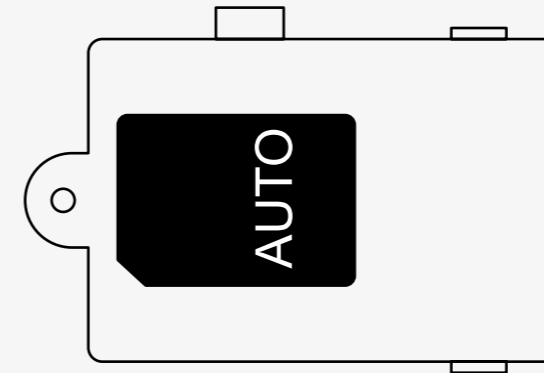
- 1 Operating mode display
- 2 Airflow louver movement display
- 3 Fan speed display
- 4 Temperature display
- 5 Function display
- 6 Infrared receiver
- 7 Lighting sensor
- 8 Timer function setting button
- 9 Fan speed setting button
- 10 Air louver movement button
- 11 Air conditioner mode switching button
- 12 Function button
- 13 Adjustment button
- 14 Turning the air conditioner on/off

Note: The drawing is a general representation of the remote control, featuring almost all functional buttons. It may slightly differ from the actual object (depending on the model).

Optional Wi-Fi module

Application (standard): CAC cassette units, CAC ducted units, CAC floor-ceiling units, Multi floor-ceiling units, Multi cassette units, Multi ducted units.

Application (optional):



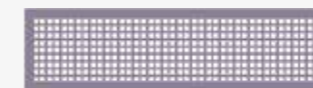
Operating temperature	0°C - 50°C
Working environment humidity	20 - 90% relative humidity
Dimensions	72 mm x 52 mm x 15,5 mm
Configuration cable length	1500 mm

Optional filters for wall-mounted air conditioners (RAC)



Activated carbon filter

Activated carbon, due to its excellent absorptive properties, has the ability to quickly absorb harmful gaseous substances present in the air, including formaldehyde and ammonia. By effectively trapping organic compounds, the carbon filter effectively neutralises unpleasant odours.



PM2.5 filter

The PM2.5 filter captures fine dust particles suspended in the air (suspended particulate matter PM10, PM2.5), which are the main components of smog and one of the most harmful air pollutants for human health. The filter removes 99.9% of these pollutants, ensuring clean and healthy air in the air-conditioned room.



Vitamin C filter

The filter releases vitamin C into the air in the room, which is absorbed by the human skin. Vitamin C improves skin firmness by stimulating collagen production, protects against harmful UV radiation, and even reduces stress levels. The lifespan of the vitamin C filter is approximately 2 years.



Silver ion filter

A highly efficient filter with strong antibacterial and antiseptic properties, ensuring high air quality in the room. Silver ions have the ability to strongly attract bacteria, fungi, and other micro-organisms. They penetrate the internal structure of microbial cells, causing them to die. Thanks to their self-regeneration capabilities, the ions permanently and long-term prevent the growth of bacteria in the air.



Antibacterial filter

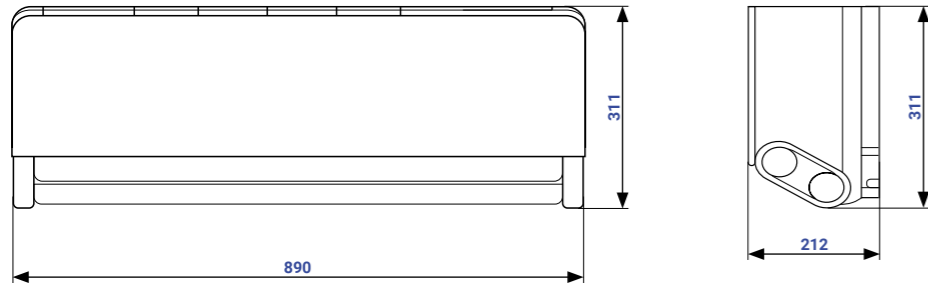
The antibacterial filter has a sterilising effect on all types of bacteria. Dust and the micro-organisms suspended on it are trapped on the antibacterial surface of the filter. Thanks to the bactericidal substances present, their growth is inhibited.

Dimensional drawings

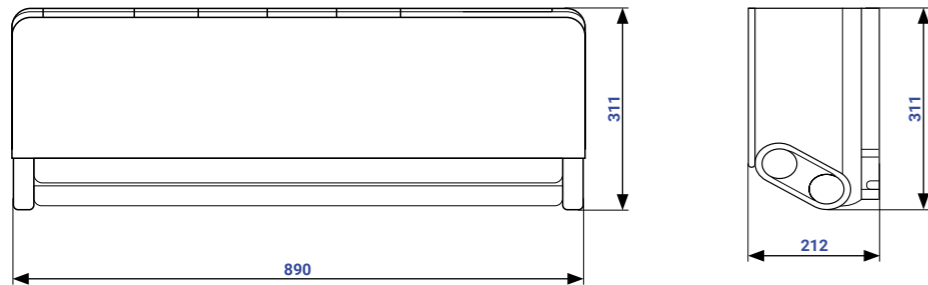
Wall-mounted units RAC

C-Pro Grey

AUX-09PRO



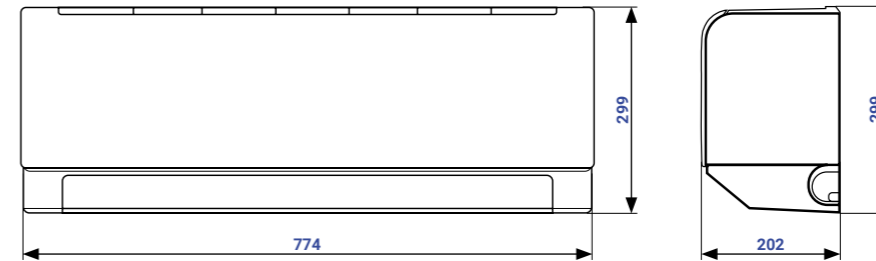
AUX-12PRO



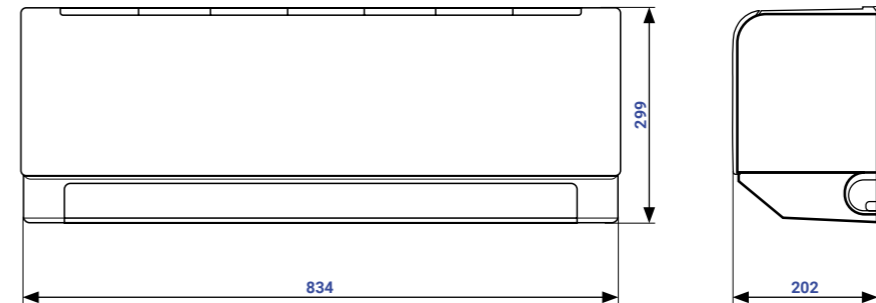
Wall-mounted units RAC

C-Smart Premium White

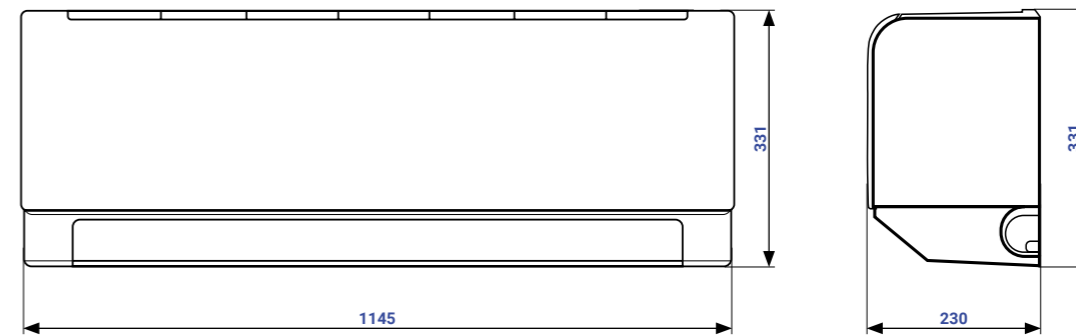
AUX-09CA



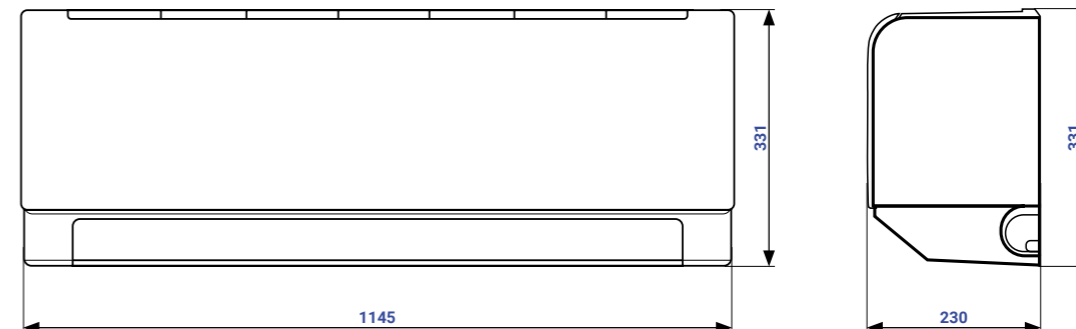
AUX-12CA



AUX-18C3A



AUX-24C3A

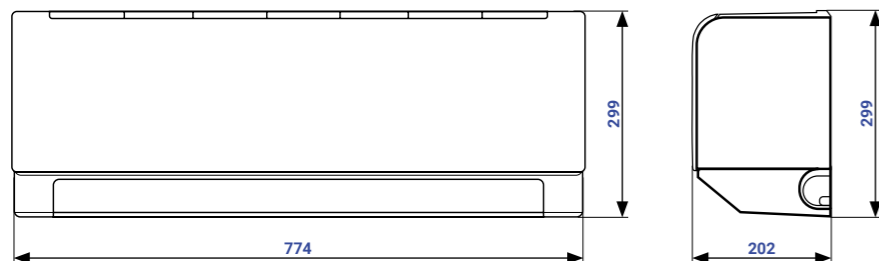


Dimensional drawings

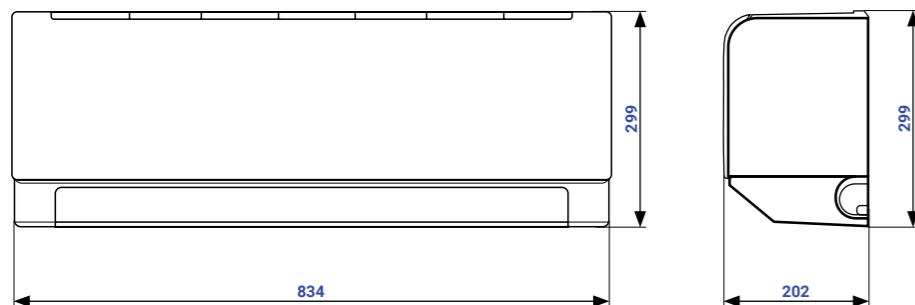
Wall-mounted units RAC

C-Smart Premium Crystal

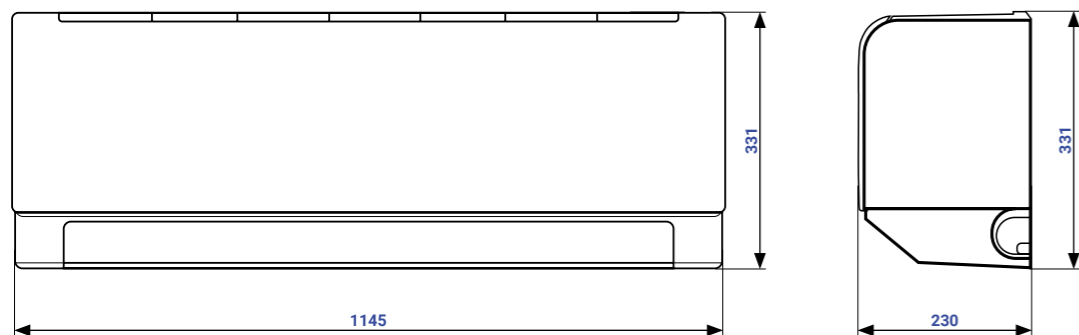
AUX-09CCW



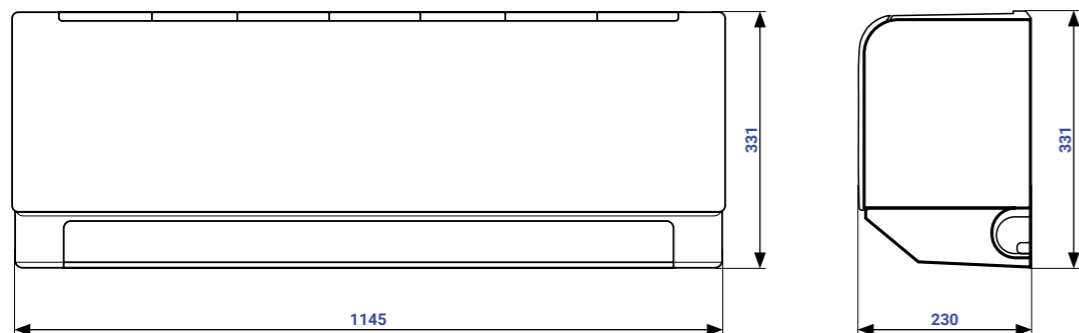
AUX-12CCW



AUX-18CCW



AUX-24CCW

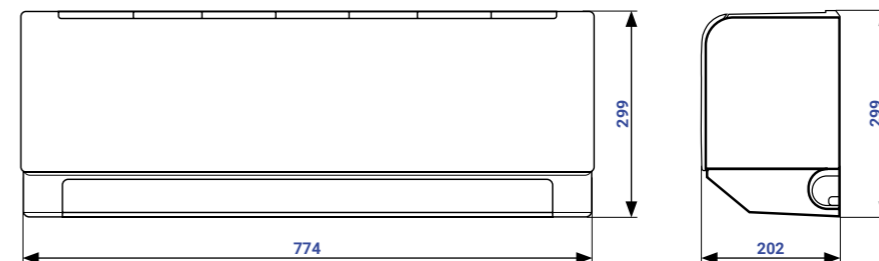


We reserve the right to errors in descriptions, appearance, functions, technical parameters, and dimensional drawings resulting from the continuous improvement of our devices.

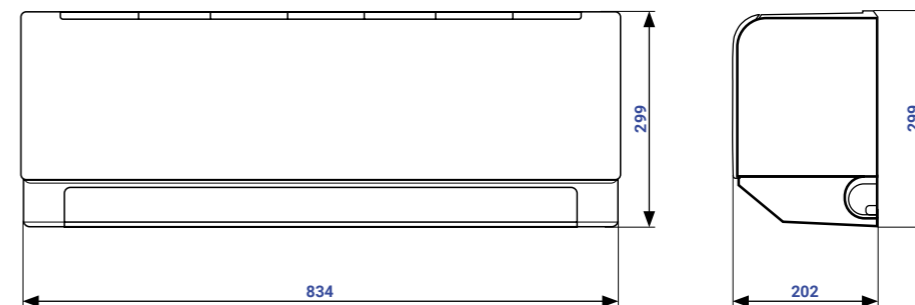
Wall-mounted units RAC

C-Smart Premium Onyx

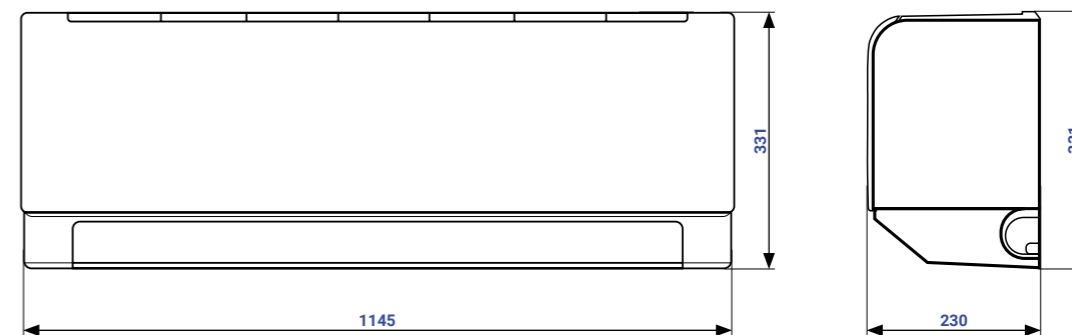
AUX-09CCB



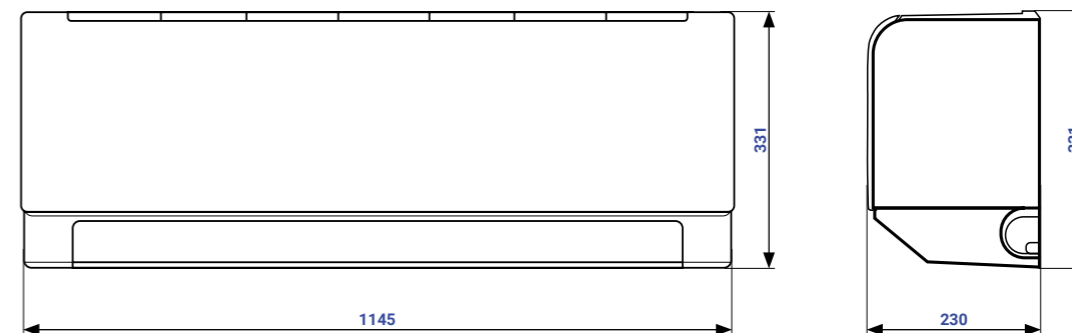
AUX-12CCB



AUX-18CCB



AUX-24CCB



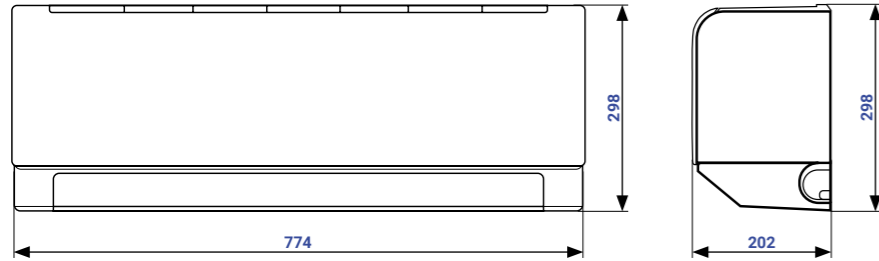
We reserve the right to errors in descriptions, appearance, functions, technical parameters, and dimensional drawings resulting from the continuous improvement of our devices.

Dimensional drawings

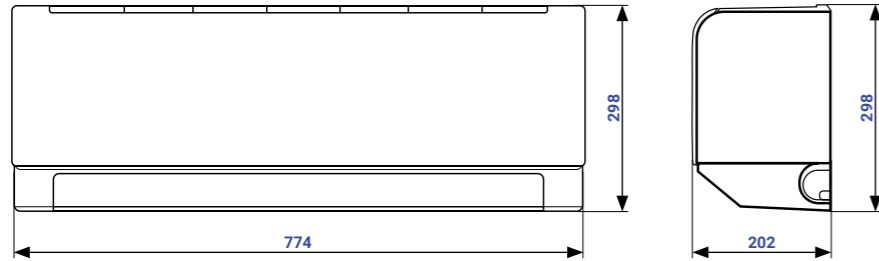
Wall-mounted units RAC

C-Smart White

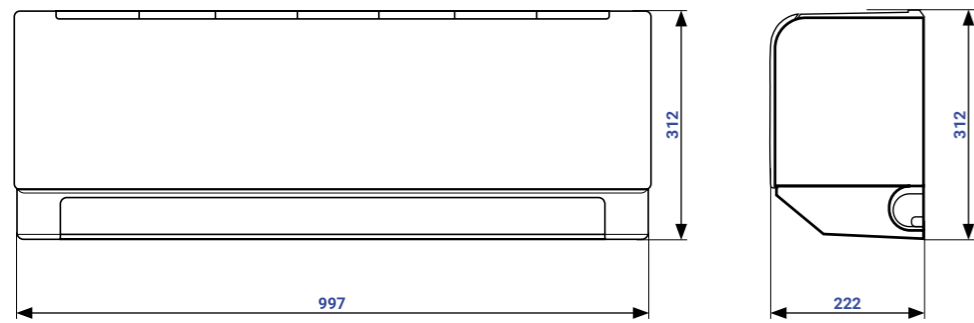
AUX-09CAA



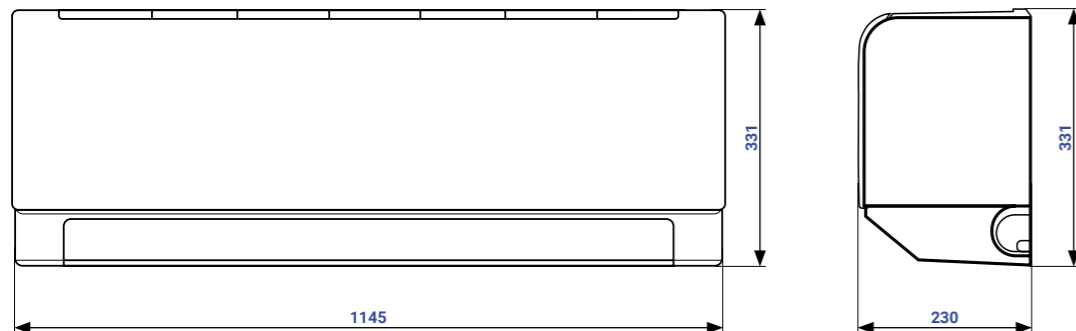
AUX-12CAA



AUX-18CAA / AUX-18CA



AUX-24CAA / AUX-24CA

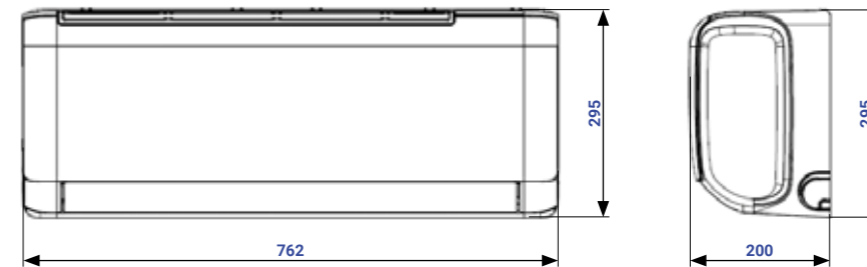


We reserve the right to errors in descriptions, appearance, functions, technical parameters, and dimensional drawings resulting from the continuous improvement of our devices.

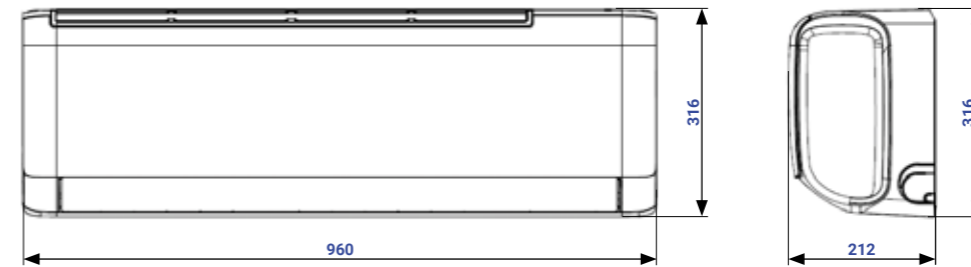
Wall-mounted units RAC

Q-Smart Plus II

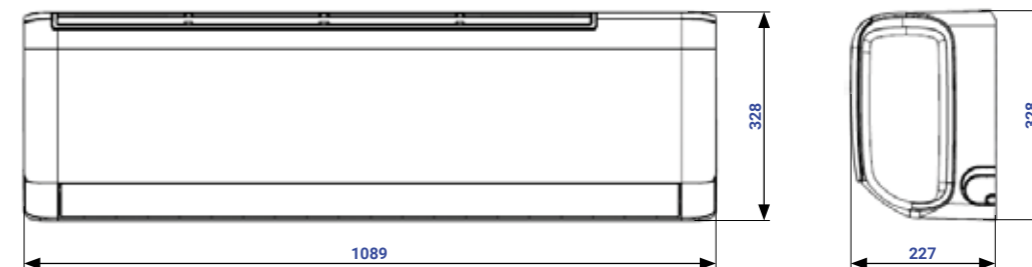
AUX-09Q2C AUX-12QC



AUX-18Q2C



AUX-24QC



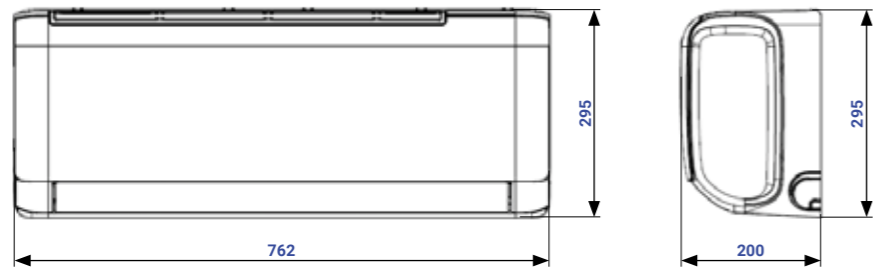
We reserve the right to errors in descriptions, appearance, functions, technical parameters, and dimensional drawings resulting from the continuous improvement of our devices.

Dimensional drawings

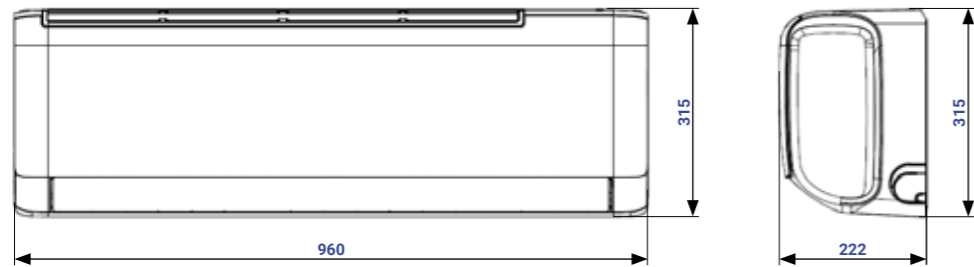
Wall-mounted units RAC

Q-Smart Eco

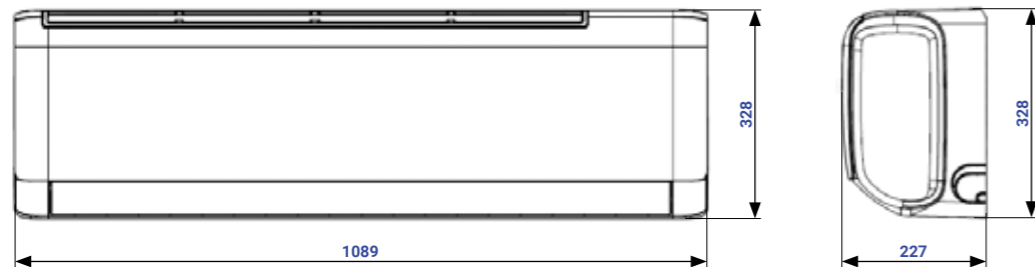
AUX-09QG AUX-12QG



AUX-18QG



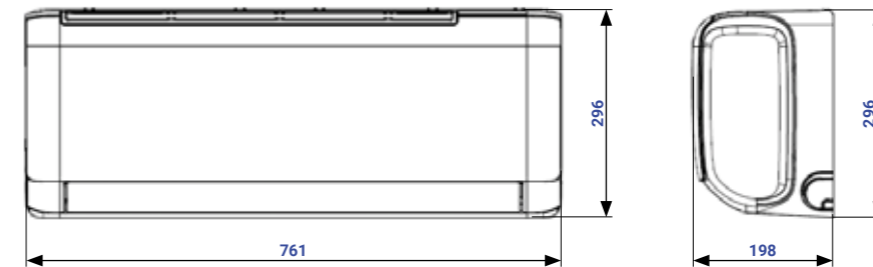
AUX-24QG



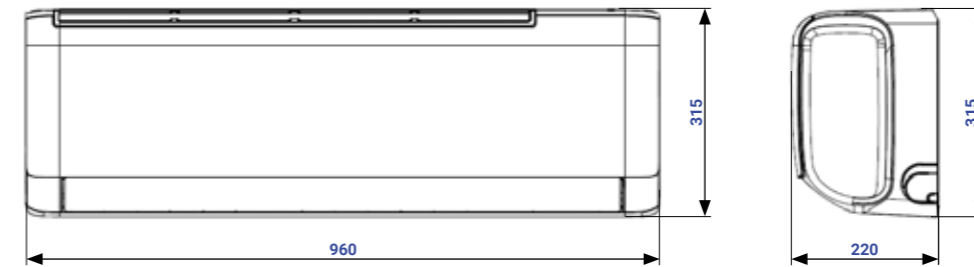
Wall-mounted units RAC

Q-Smart Premium Grey

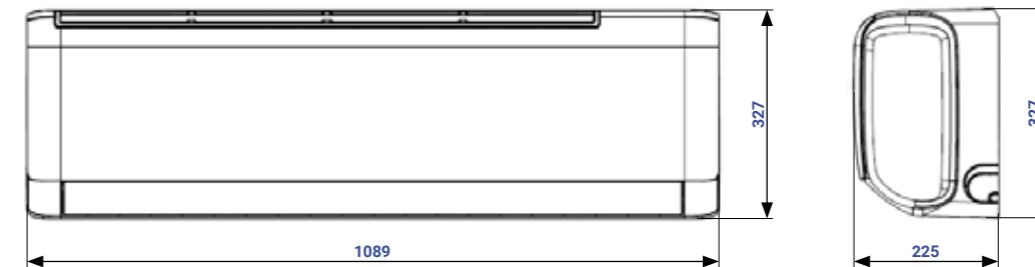
AUX-09QB AUX-12QB



AUX-18QB



AUX-24QB

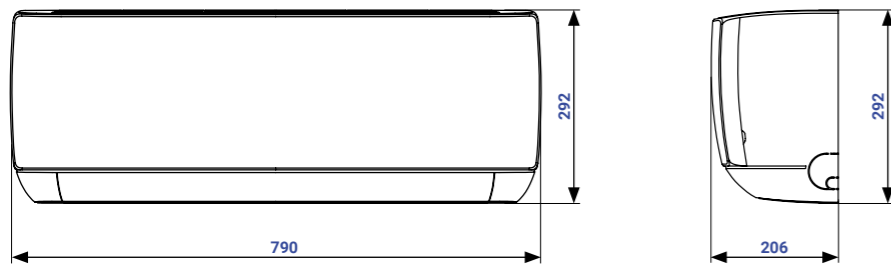


Dimensional drawings

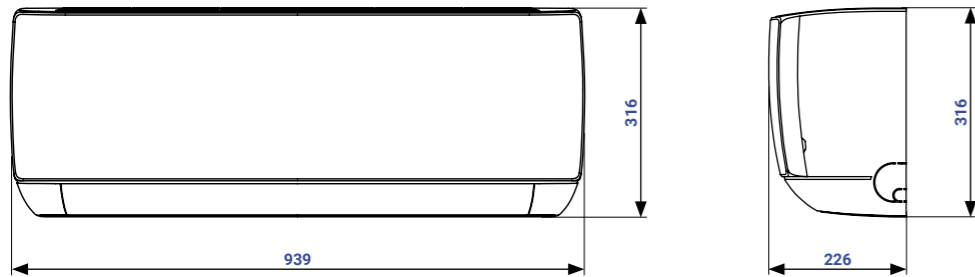
Wall-mounted units RAC

J-Smart

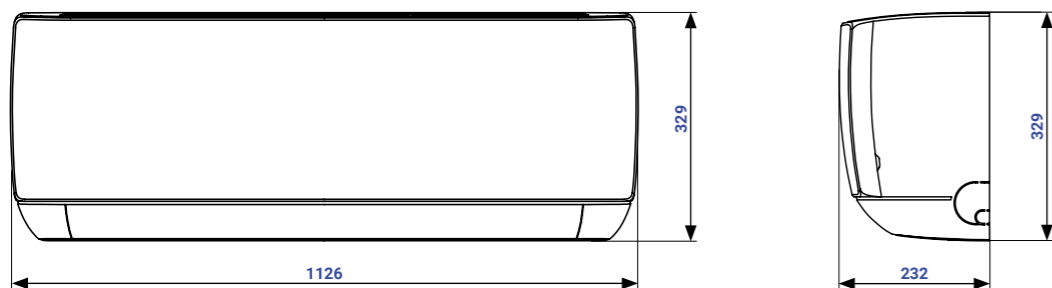
AUX-09J20 AUX-12J20



AUX-18J20



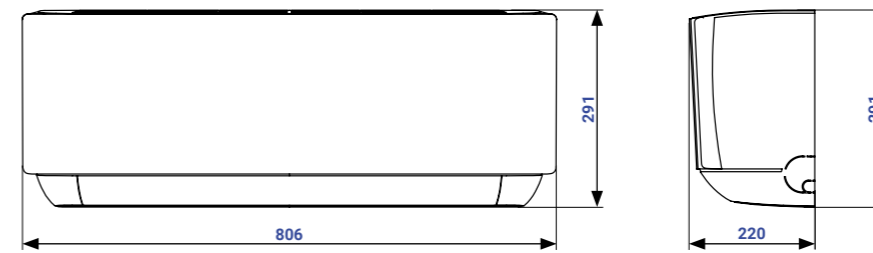
AUX-24J20



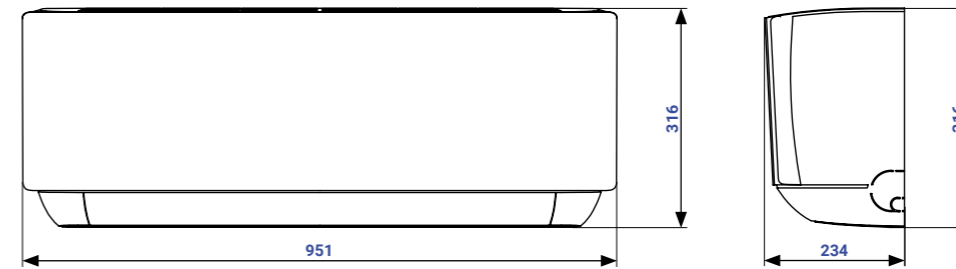
Wall-mounted units RAC

J-Smart Art

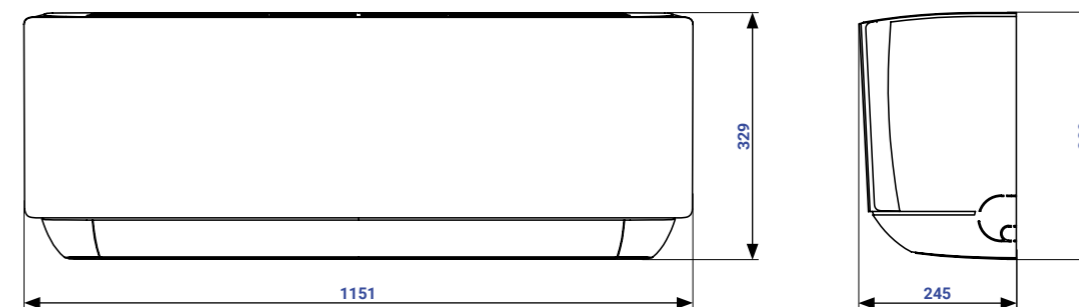
AUX-09JP AUX-12JP



AUX-18JP



AUX-24JP

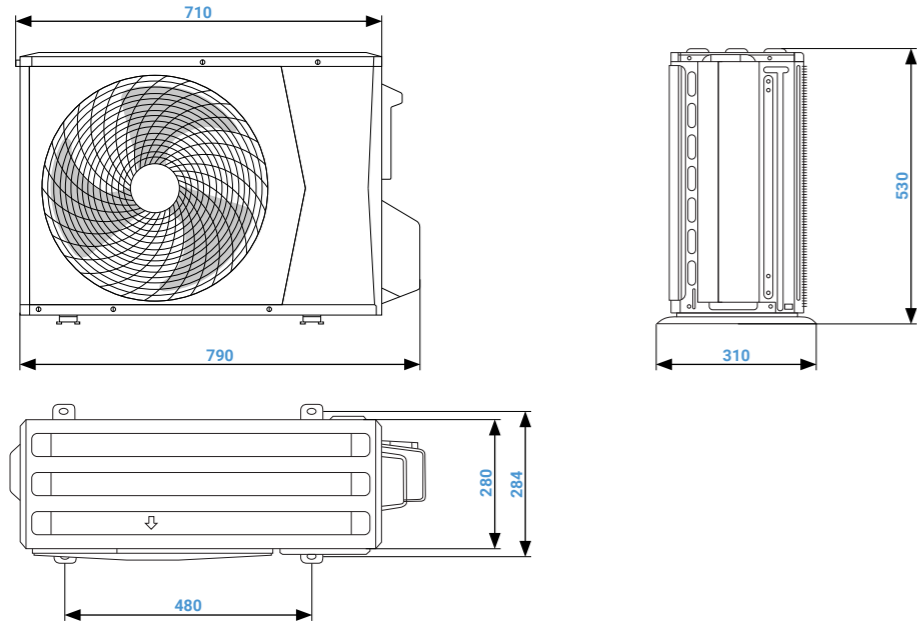


Dimensional drawings

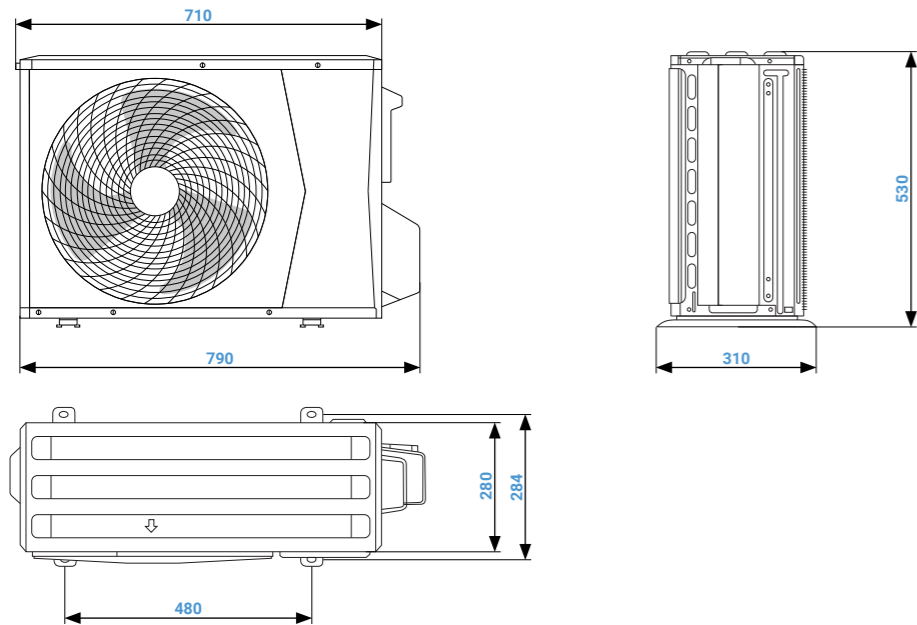
RAC Outdoor units

Series CA/CPRO

AUX-09CA/O AUX-09CPRO/O



AUX-12CA/O AUX-12CPRO/O

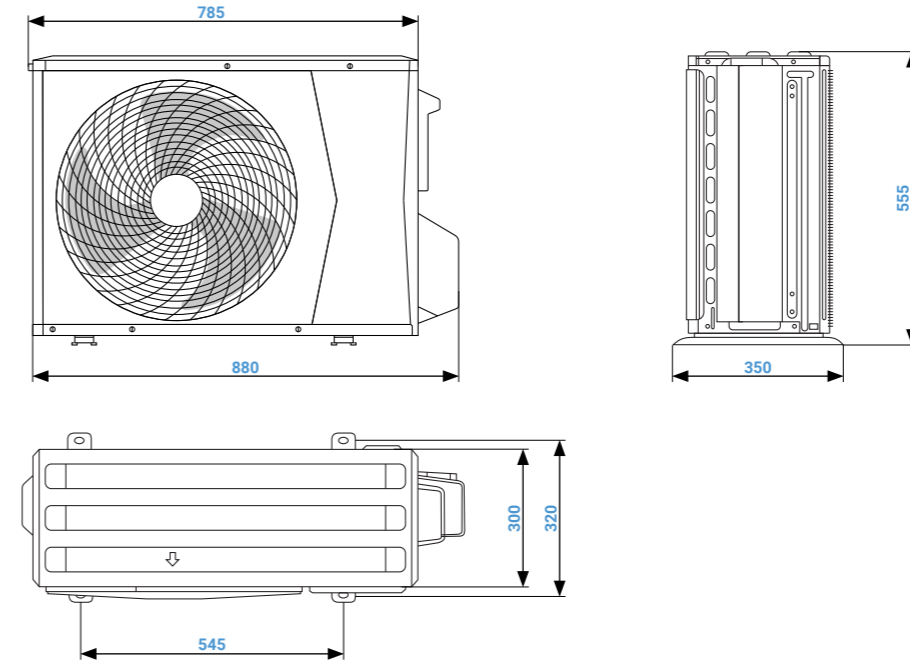


We reserve the right to errors in descriptions, appearance, functions, technical parameters, and dimensional drawings resulting from the continuous improvement of our devices.

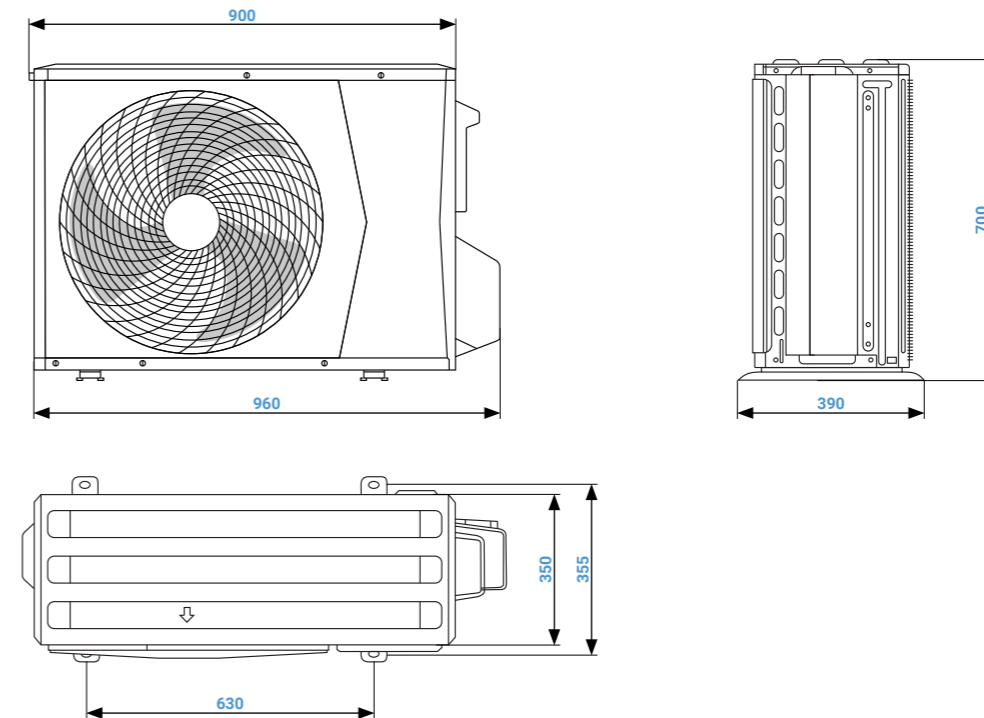
RAC Outdoor units

Series CA

AUX-18CA/O



AUX-24CA/O



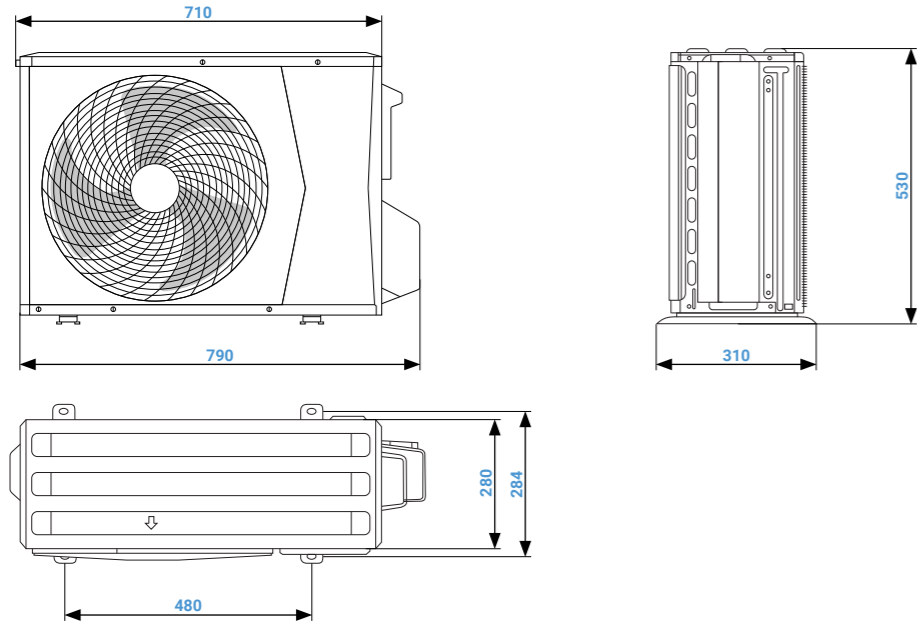
We reserve the right to errors in descriptions, appearance, functions, technical parameters, and dimensional drawings resulting from the continuous improvement of our devices.

Dimensional drawings

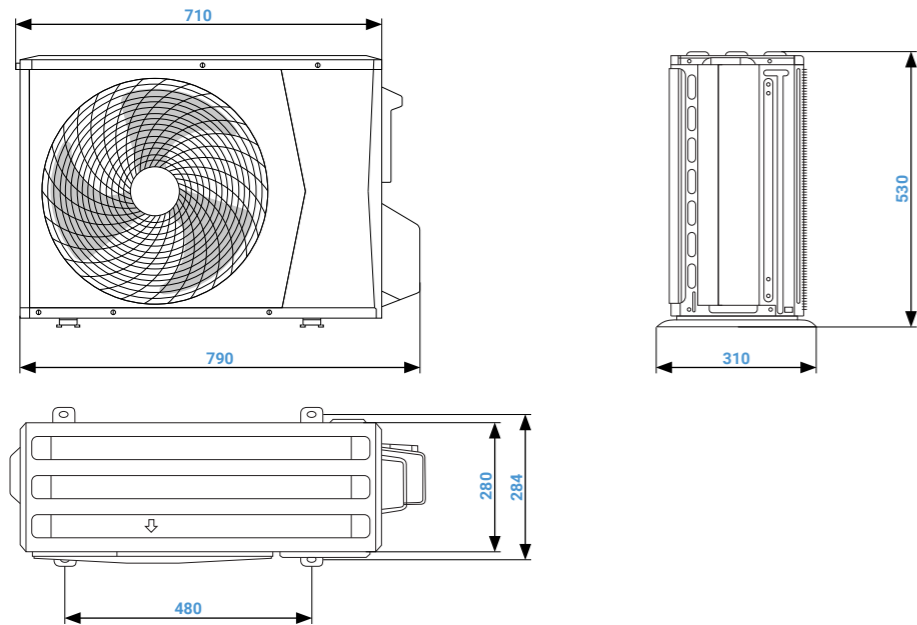
RAC Outdoor units

Series CCW/CCB/CAA

AUX-09CCW/O AUX-09CCB/O AUX-09CAA/O



AUX-12CCW/O AUX-12CCB/O AUX-12CAA/O

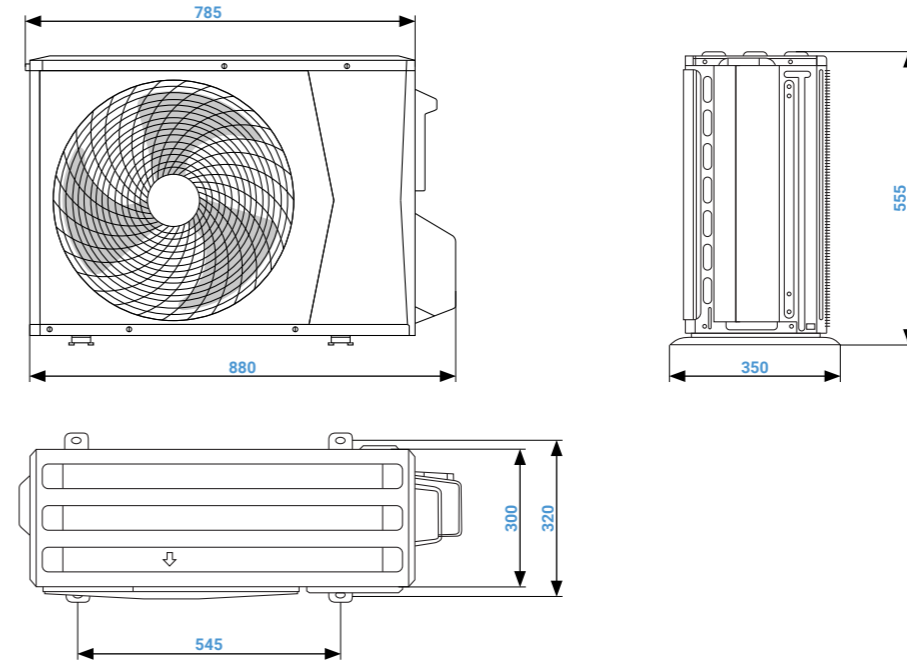


We reserve the right to errors in descriptions, appearance, functions, technical parameters, and dimensional drawings resulting from the continuous improvement of our devices.

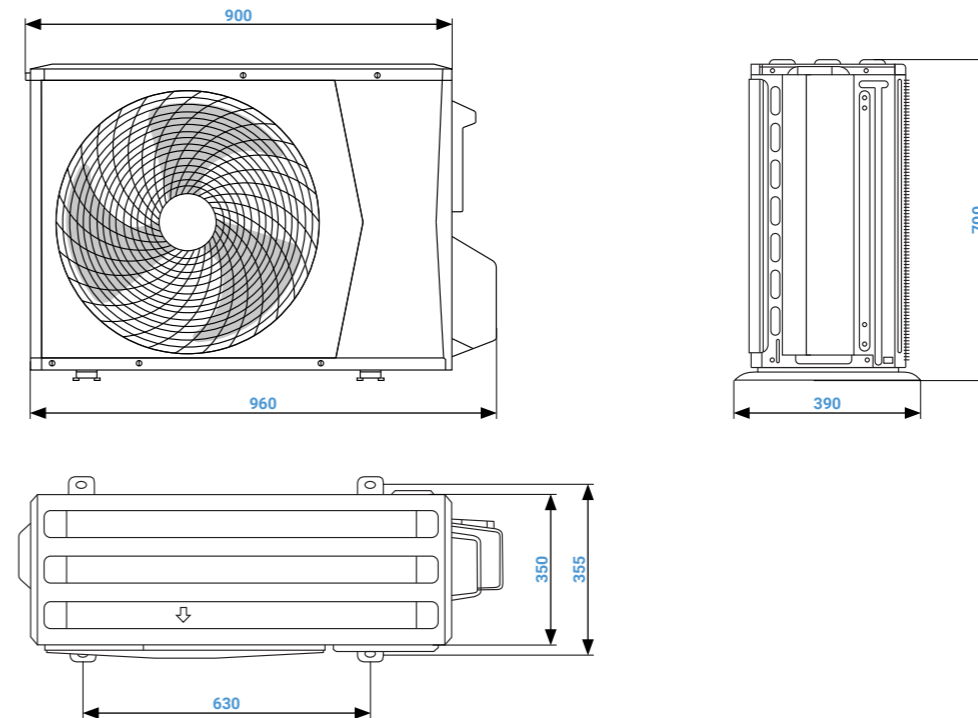
RAC Outdoor units

Series CCW/CCB/CAA

AUX-18CCW/O AUX-18CCB/O AUX-18CAA/O



AUX-24CCW/O AUX-24CCB/O AUX-24CAA/O



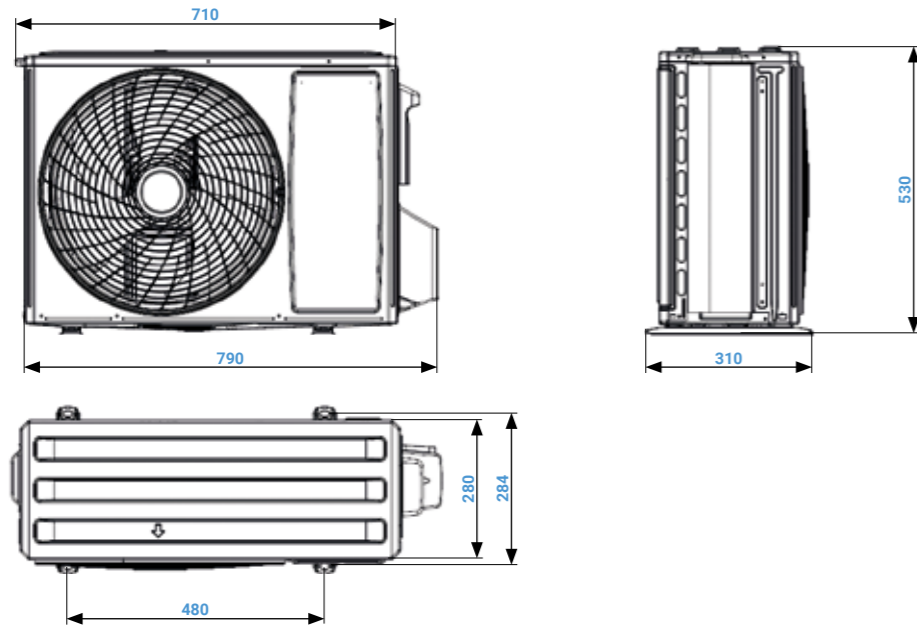
We reserve the right to errors in descriptions, appearance, functions, technical parameters, and dimensional drawings resulting from the continuous improvement of our devices.

Dimensional drawings

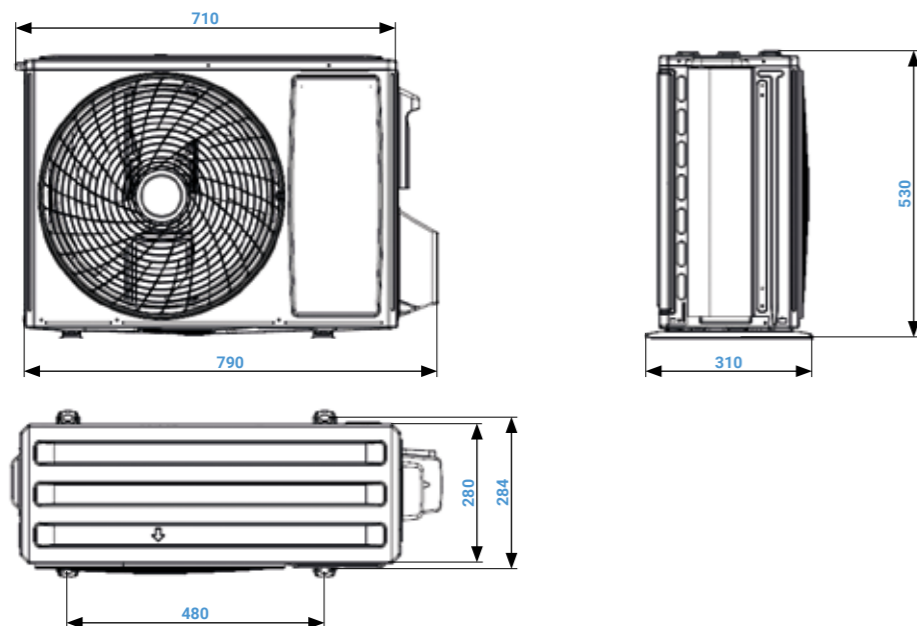
RAC Outdoor units

Series QC /Q2C

AUX-09Q2C/O



AUX-12QC/O

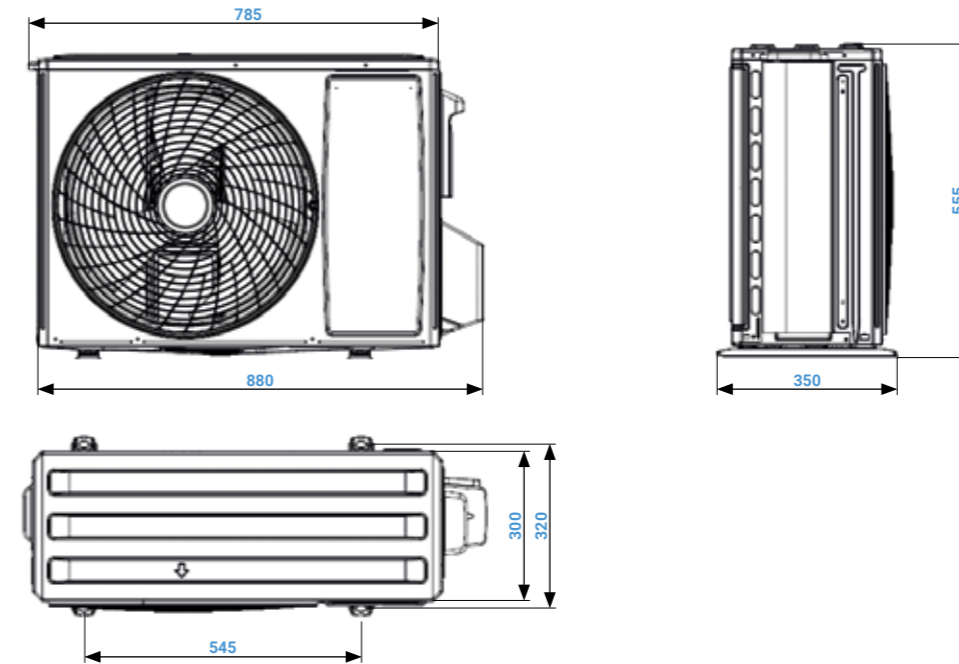


We reserve the right to errors in descriptions, appearance, functions, technical parameters, and dimensional drawings resulting from the continuous improvement of our devices.

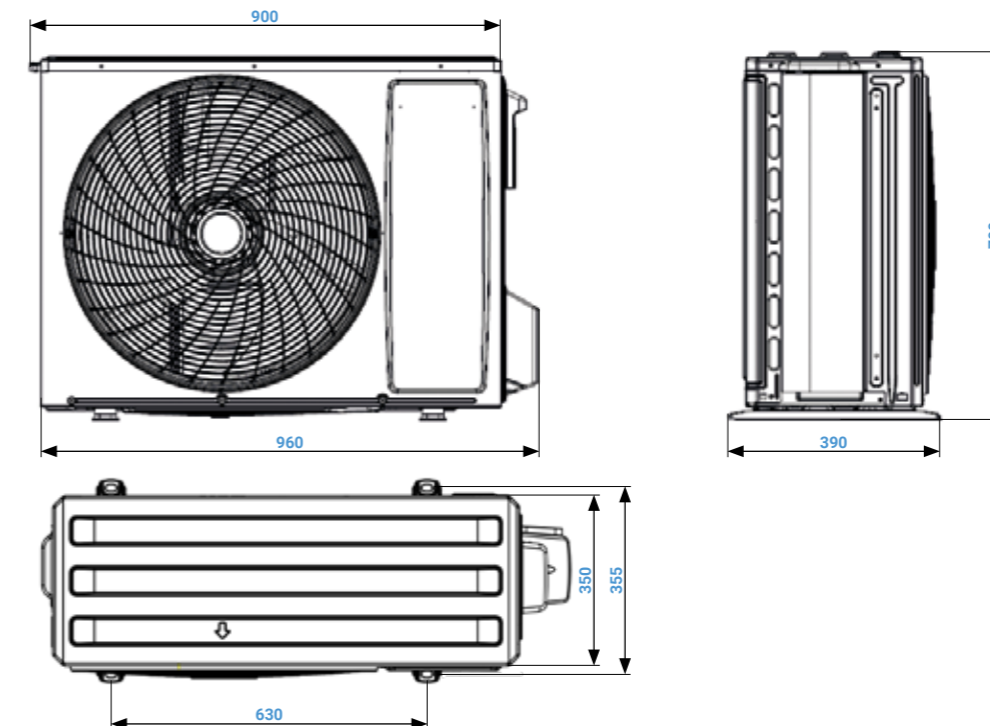
RAC Outdoor units

Series QC /Q2C

AUX-18Q2C/O



AUX-24QC/O



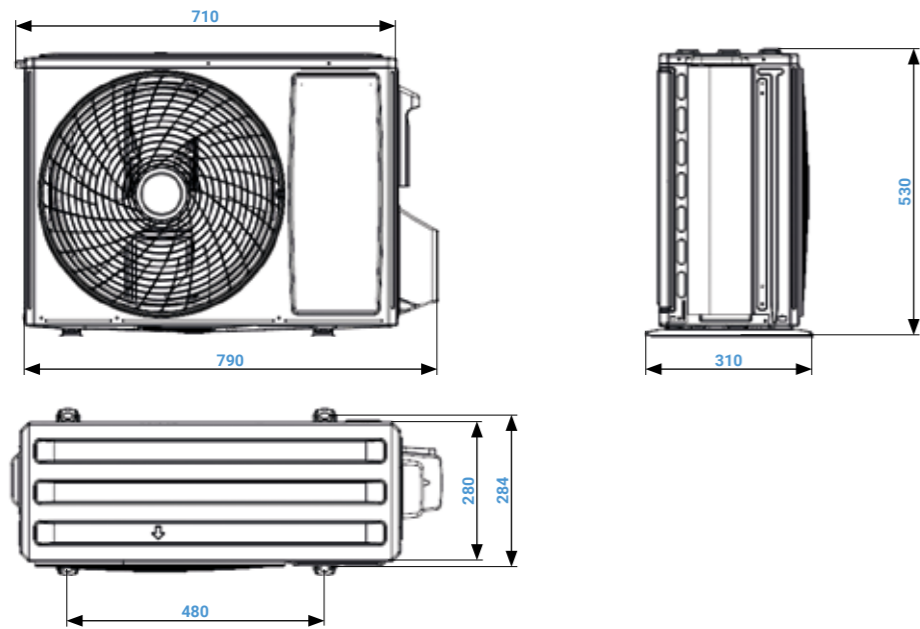
We reserve the right to errors in descriptions, appearance, functions, technical parameters, and dimensional drawings resulting from the continuous improvement of our devices.

Dimensional drawings

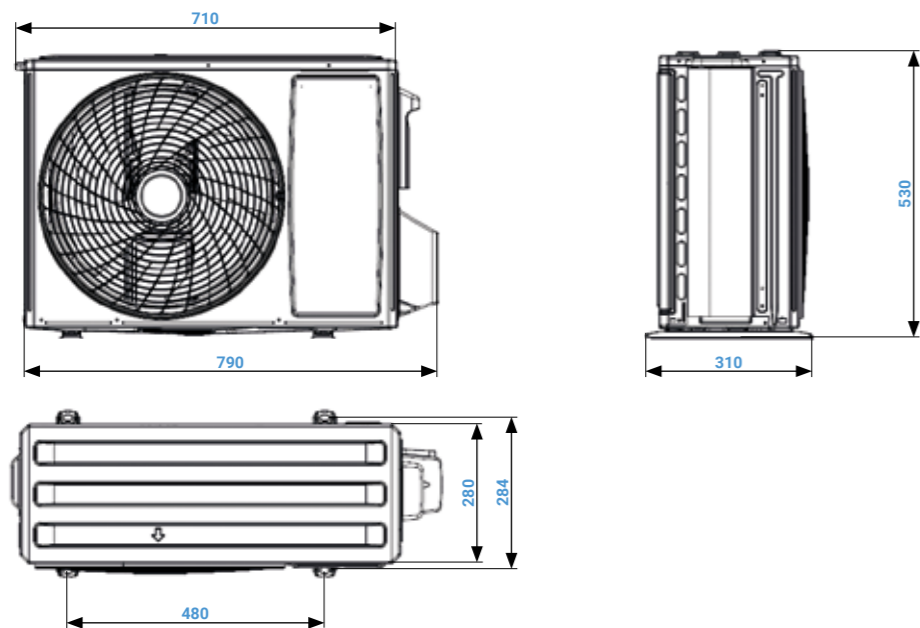
RAC Outdoor units

Series QG

AUX-09QG/O



AUX-12QG/O

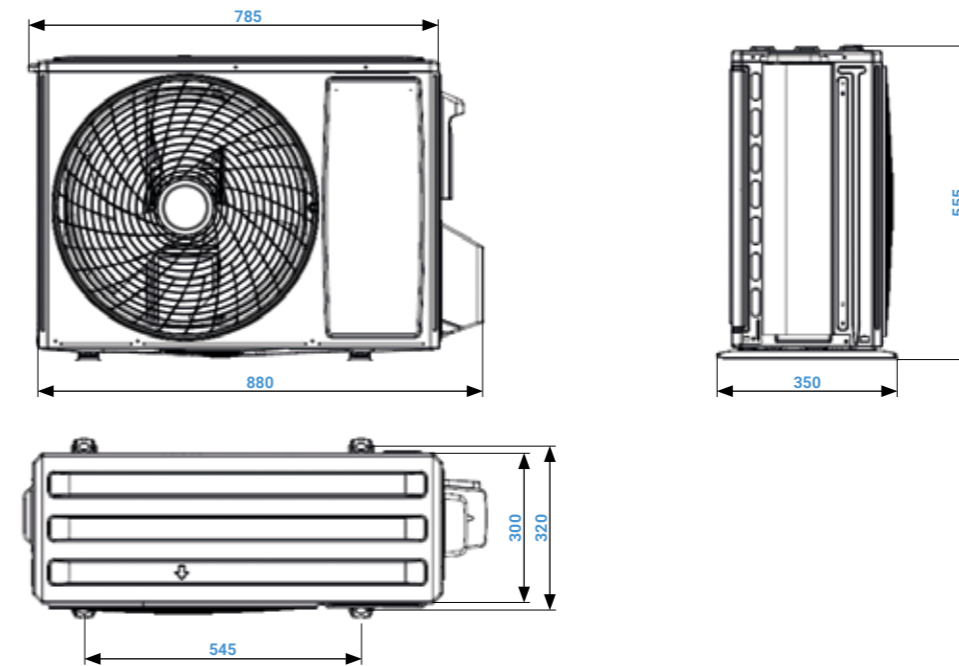


We reserve the right to errors in descriptions, appearance, functions, technical parameters, and dimensional drawings resulting from the continuous improvement of our devices.

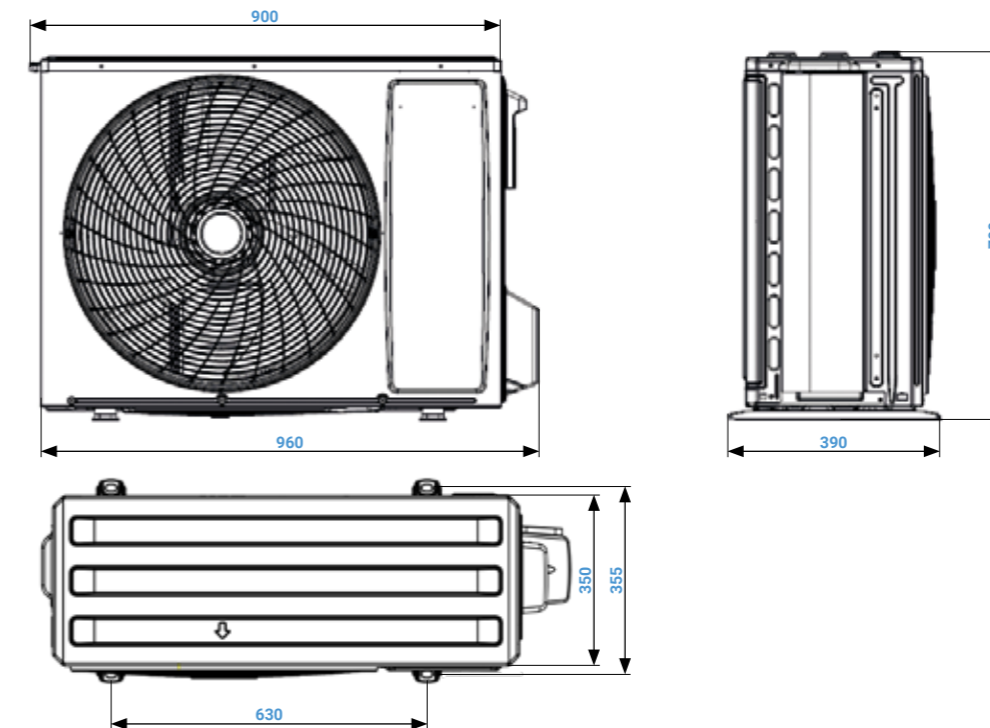
RAC Outdoor units

Series QG

AUX-18QG/O



AUX-24QG/O



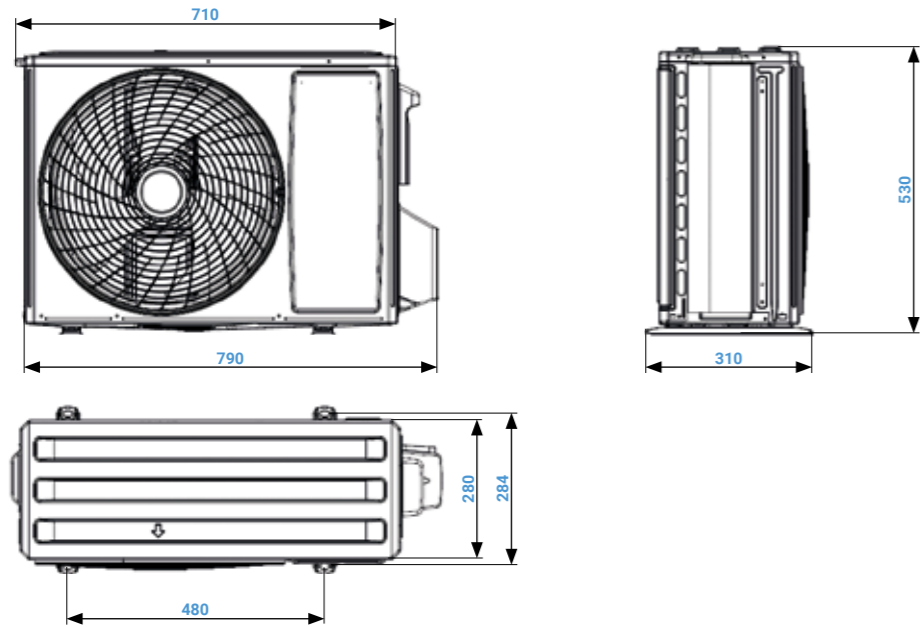
We reserve the right to errors in descriptions, appearance, functions, technical parameters, and dimensional drawings resulting from the continuous improvement of our devices.

Dimensional drawings

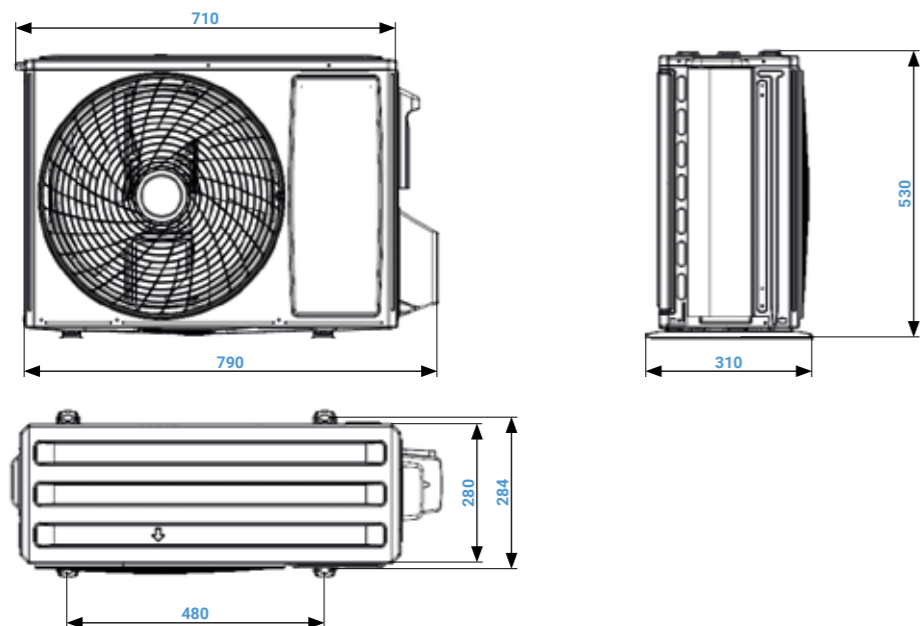
RAC Outdoor units

Series QB

AUX-09QB/O



AUX-12QB/O

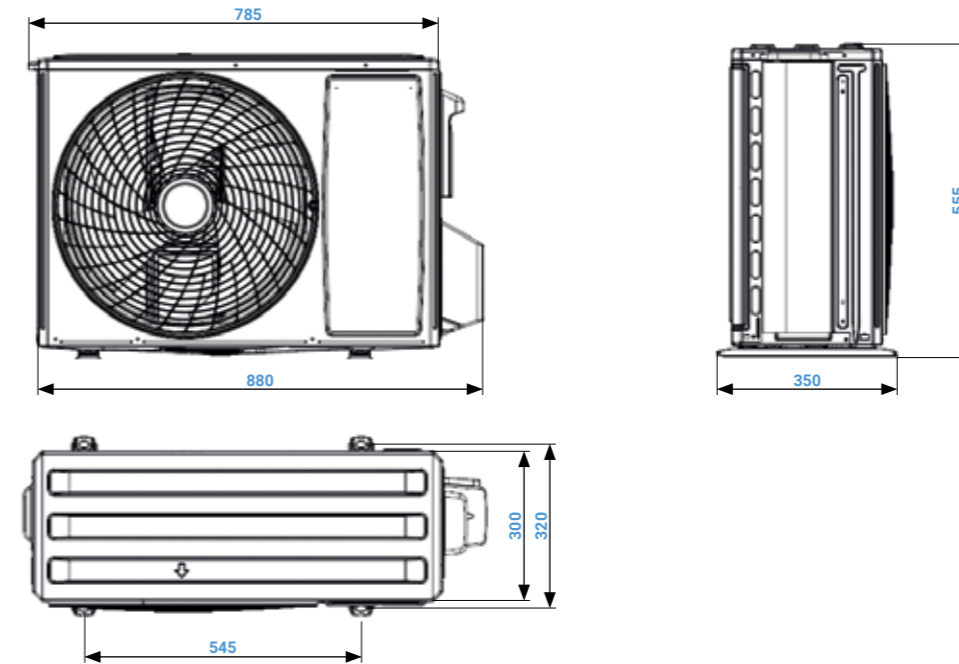


We reserve the right to errors in descriptions, appearance, functions, technical parameters, and dimensional drawings resulting from the continuous improvement of our devices.

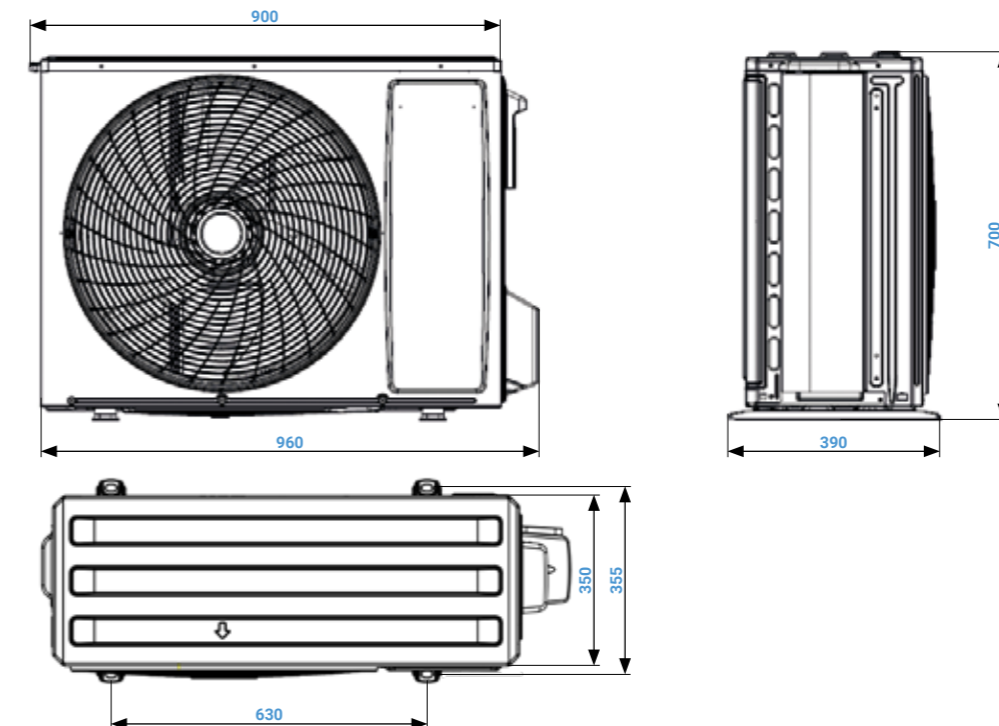
RAC Outdoor units

Series QB

AUX-18QB/O



AUX-24QB/O



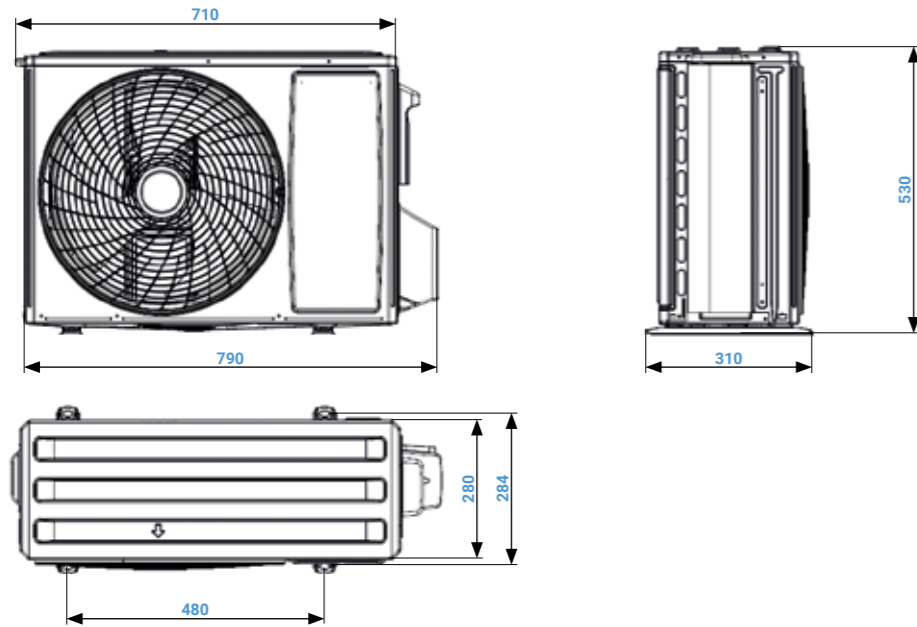
We reserve the right to errors in descriptions, appearance, functions, technical parameters, and dimensional drawings resulting from the continuous improvement of our devices.

Dimensional drawings

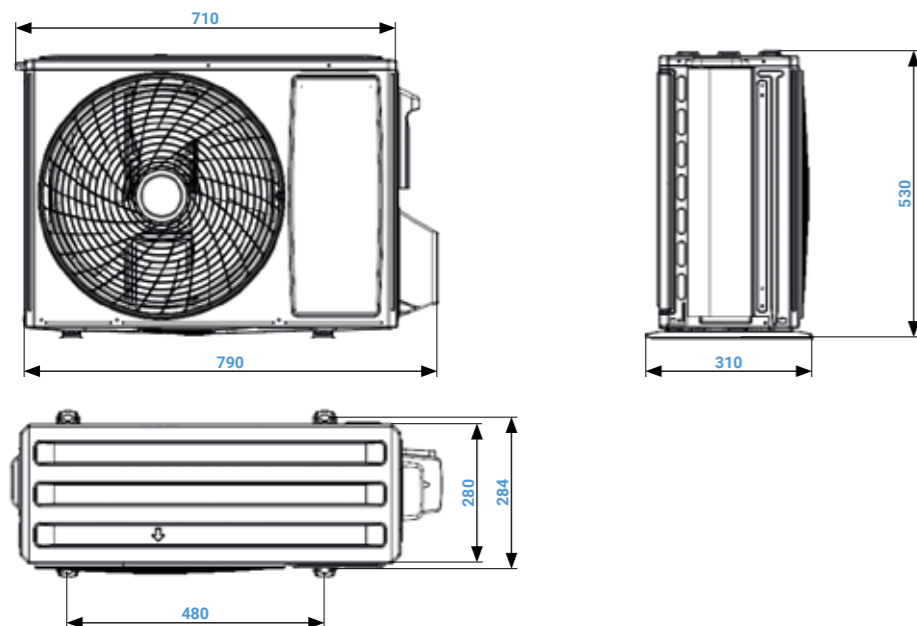
RAC Outdoor units

Series J20 / JP

AUX-09J20/O AUX-09JP/O



AUX-12J20/O AUX-12JP/O

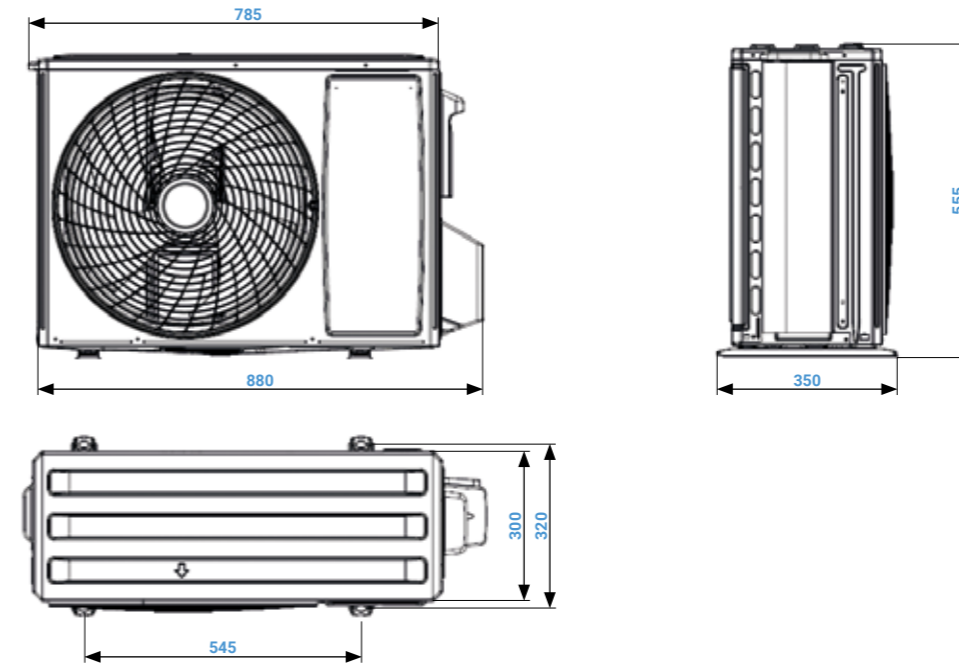


We reserve the right to errors in descriptions, appearance, functions, technical parameters, and dimensional drawings resulting from the continuous improvement of our devices.

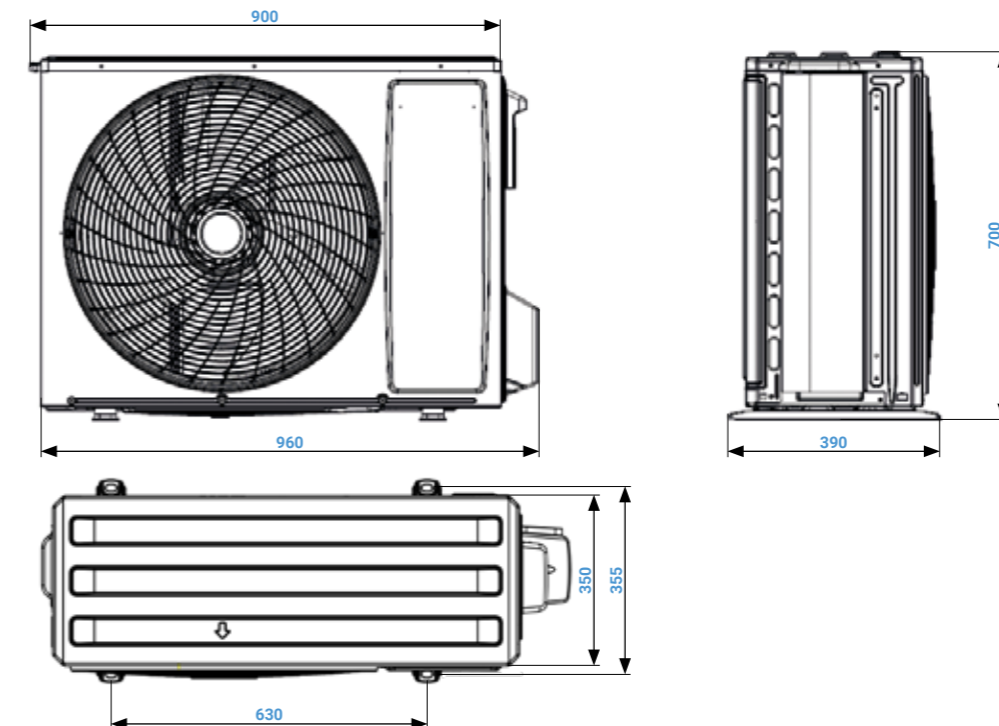
RAC Outdoor units

Series J20 / JP

AUX-18J20/O AUX-18JP/O



AUX-24J20/O AUX-24JP/O



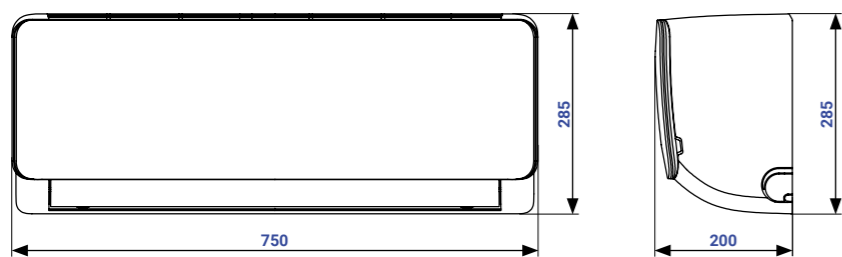
We reserve the right to errors in descriptions, appearance, functions, technical parameters, and dimensional drawings resulting from the continuous improvement of our devices.

Dimensional drawings

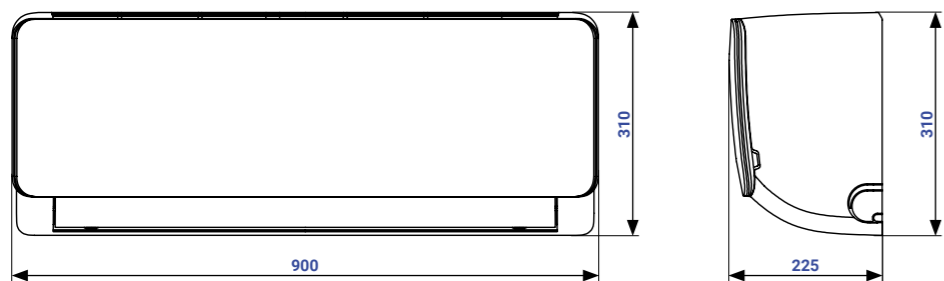
MULTI Indoor units

Freedom

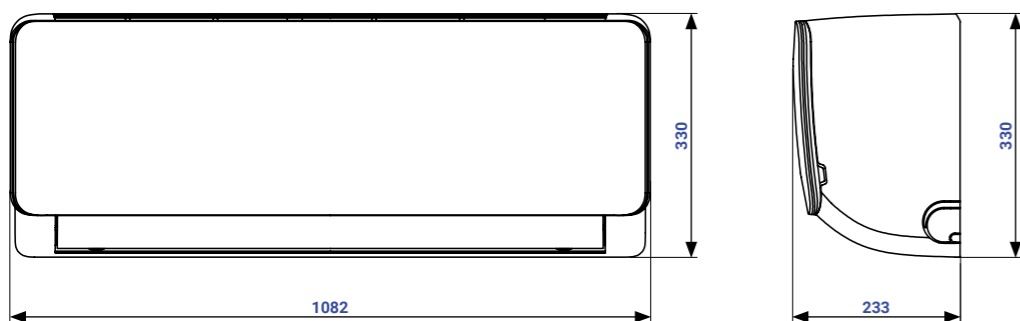
AUX-07FH/I AUX-09FH/I AUX-12FH/I



AUX-18FH/I



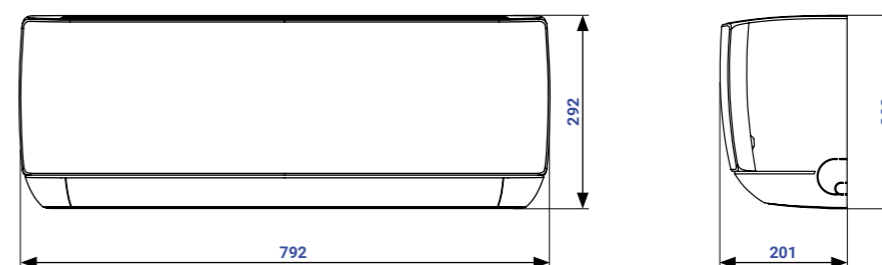
AUX-24FH/I



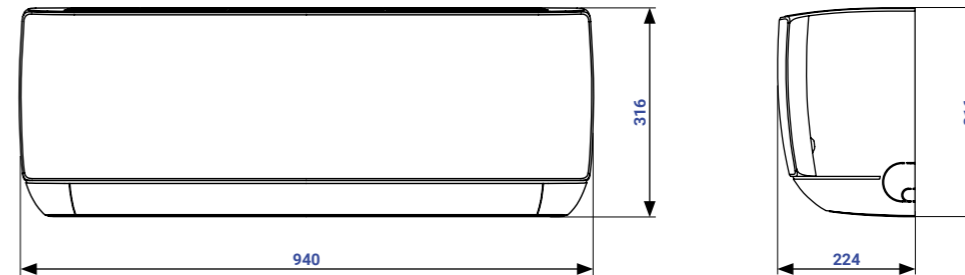
MULTI Indoor units

J-Smart

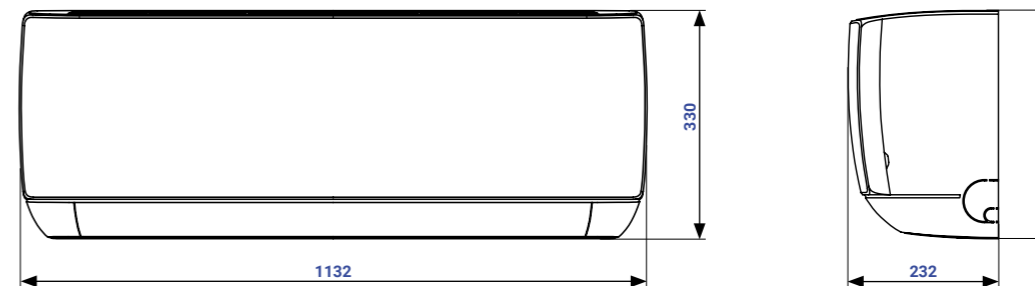
AUX-07JO/I AUX-09JO/I AUX-12JO/I



AUX-18JO/I



AUX-24JO/I

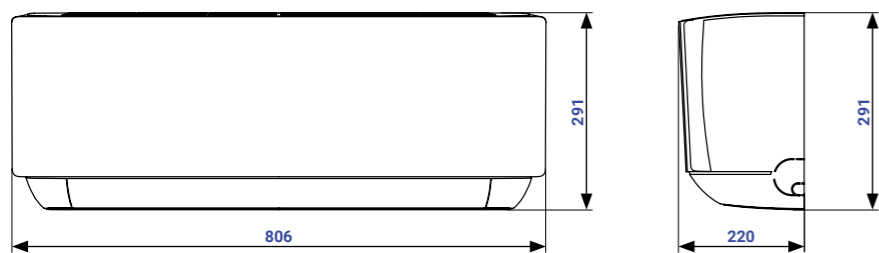


Dimensional drawings

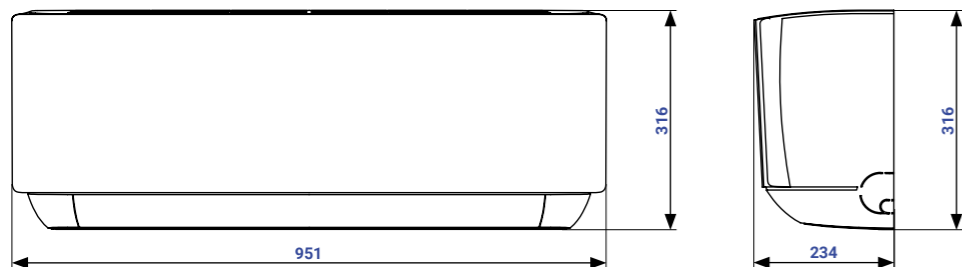
MULTI Indoor units

J-Smart Art

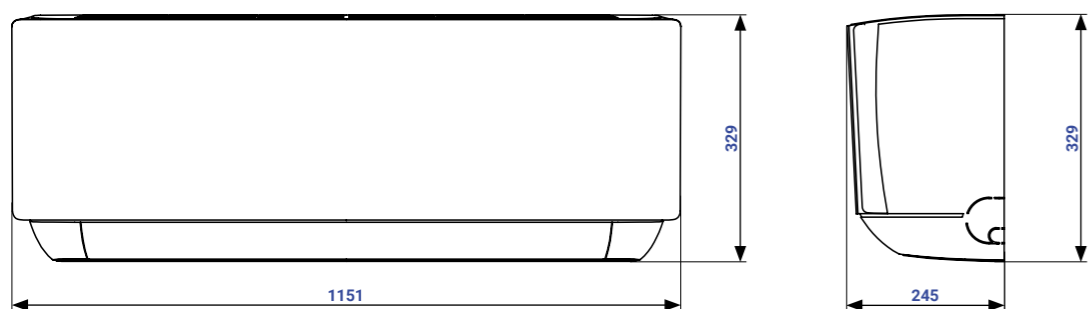
AUX-07JB/I AUX-09JB/I AUX-12JB/I



AUX-18JB/I



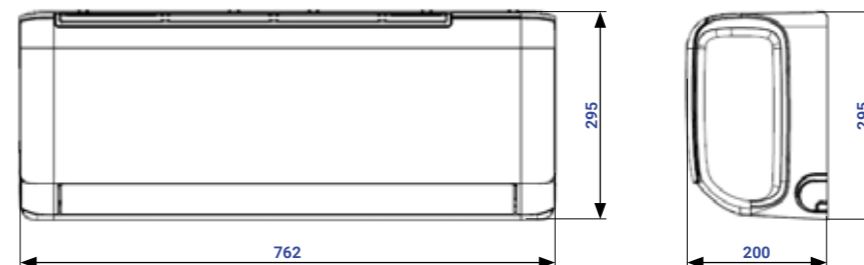
AUX-24JB/I



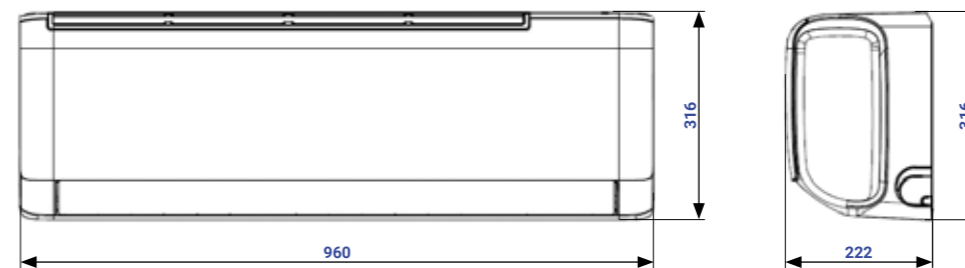
MULTI Indoor units

Q-Smart Premium

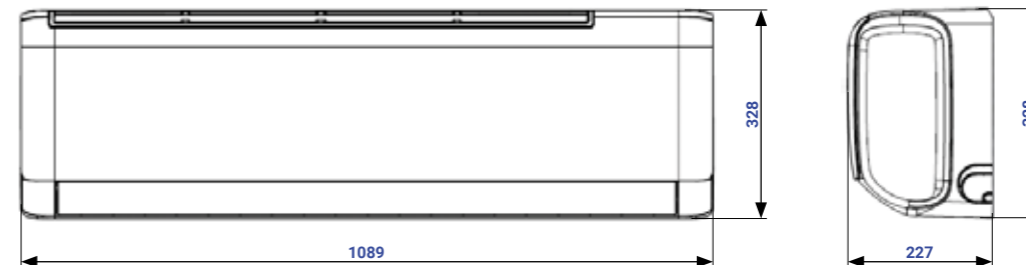
AUX-07QP/I AUX-09QP/I AUX-12QP/I



AUX-18QP/I



AUX-24QP/I

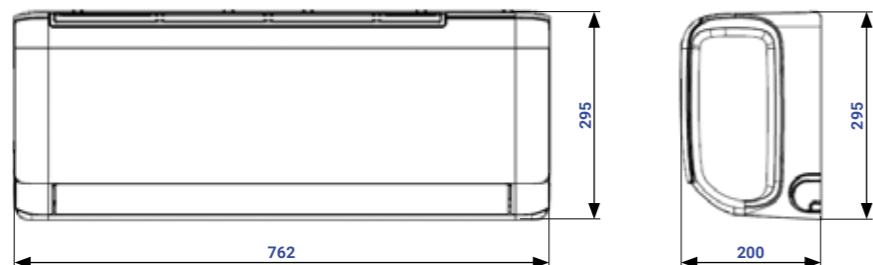


Dimensional drawings

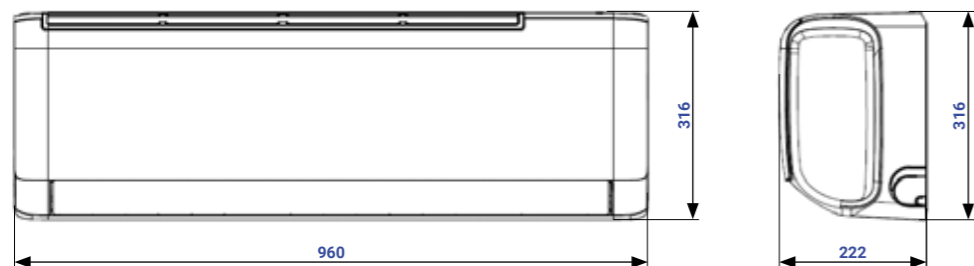
MULTI Indoor units

Q-Smart Premium Grey

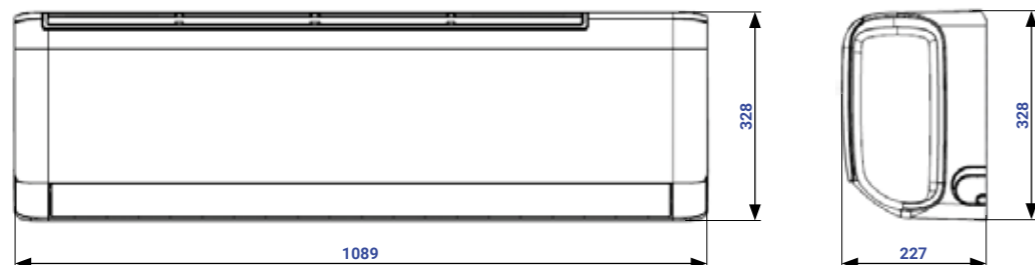
AUX-07QB/I AUX-09QB/I AUX-12QB/I



AUX-18QB/I



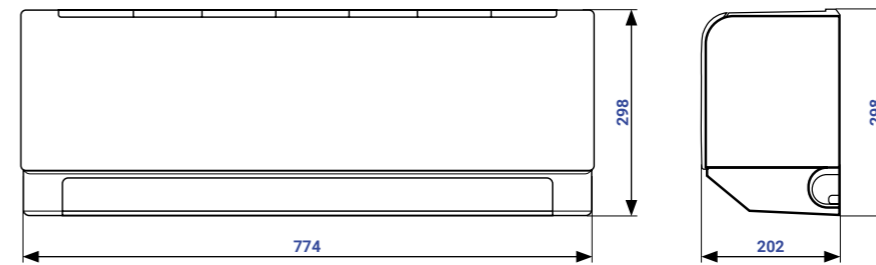
AUX-24QB/I



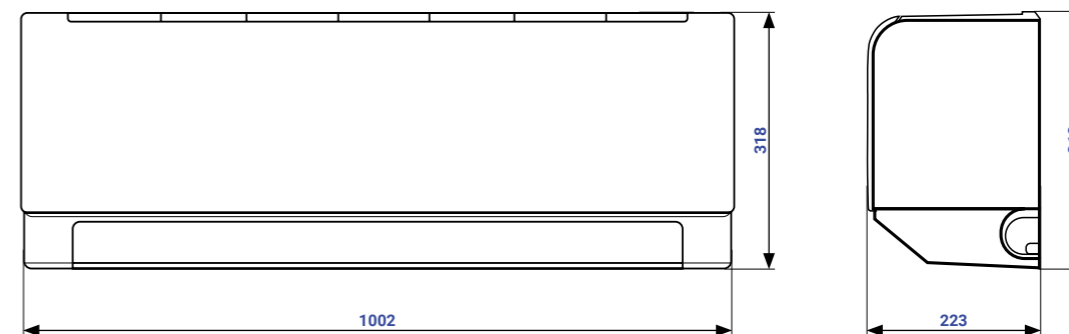
MULTI Indoor units

C-Smart White

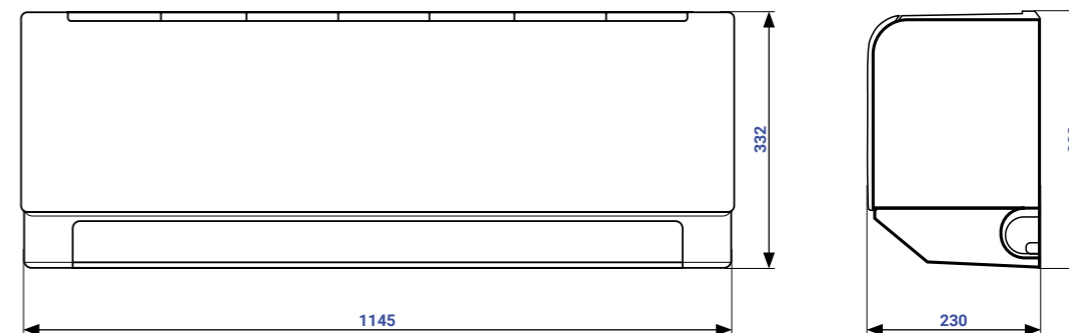
AUX-07CA/I AUX-09CA/I AUX-12CA/I



AUX-18CA/I



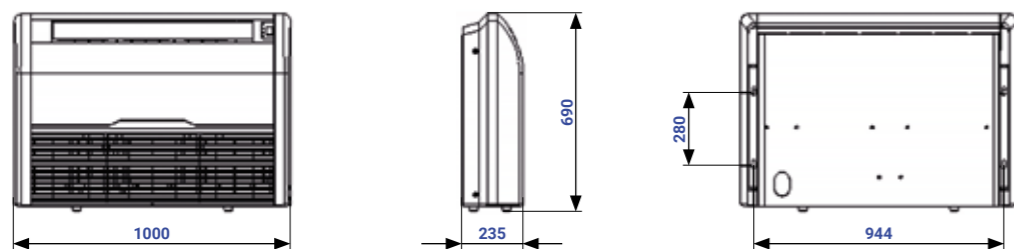
AUX-24CA/I



MULTI Indoor units

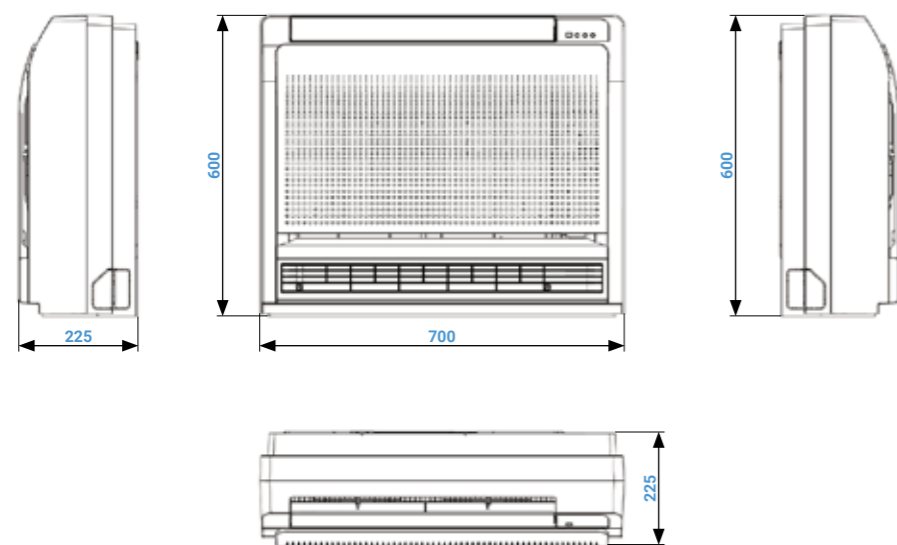
Floor-ceiling units

AUX-M-F09/I AUX-M-F12/I AUX-M-F18/I



Console units

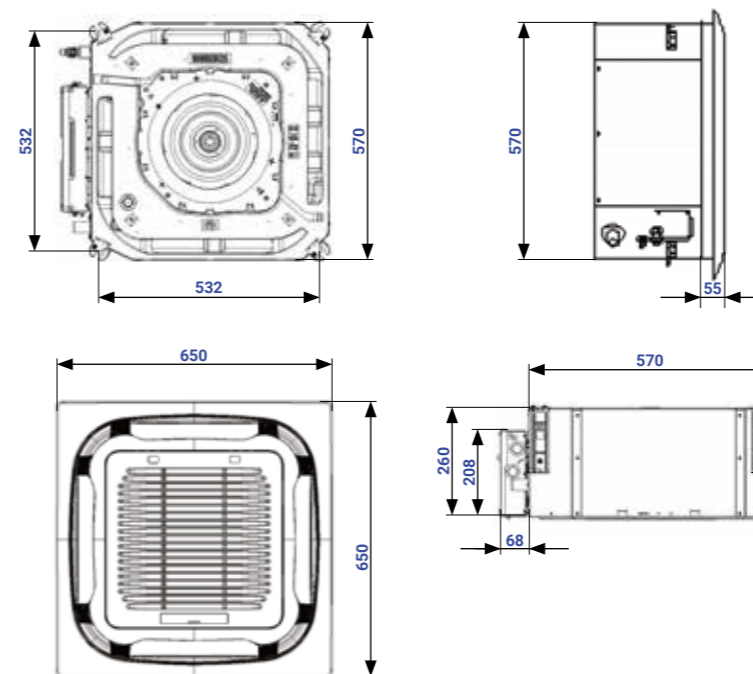
AUX-M-K09 AUX-M-K12 AUX-M-K16



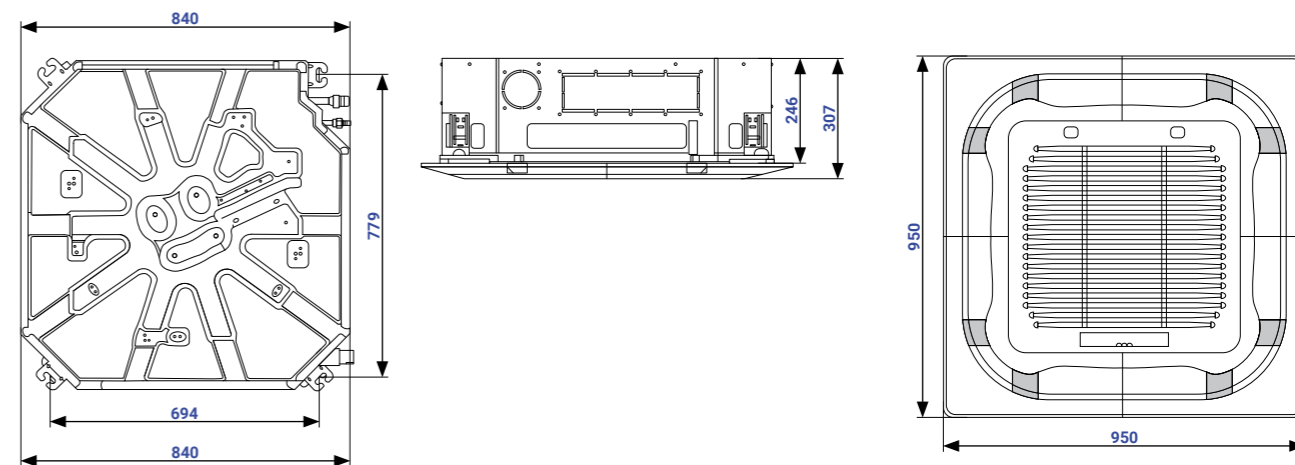
MULTI Indoor units

Cassette units

AUX-M-C09/I AUX-C-09CAC AUX-M-C12/I AUX-M-C18/I



AUX-M-C24/I

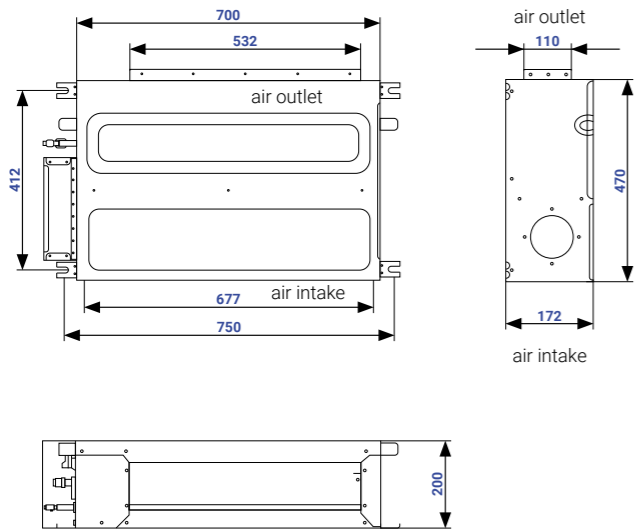


Dimensional drawings

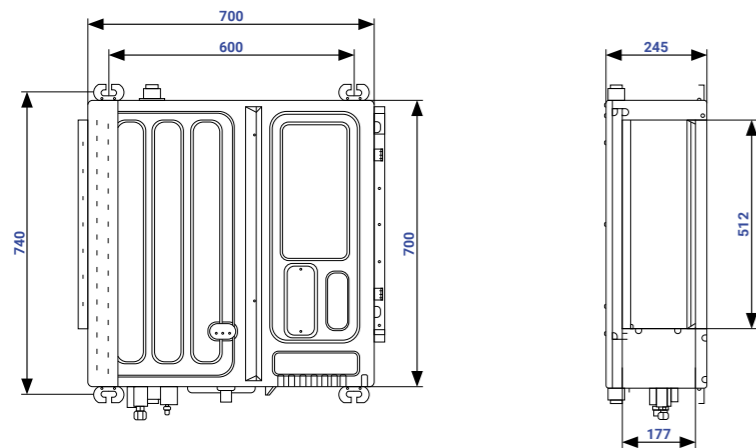
MULTI Indoor units

Ducted units

AUX-M-D07/I AUX-M-D09/I



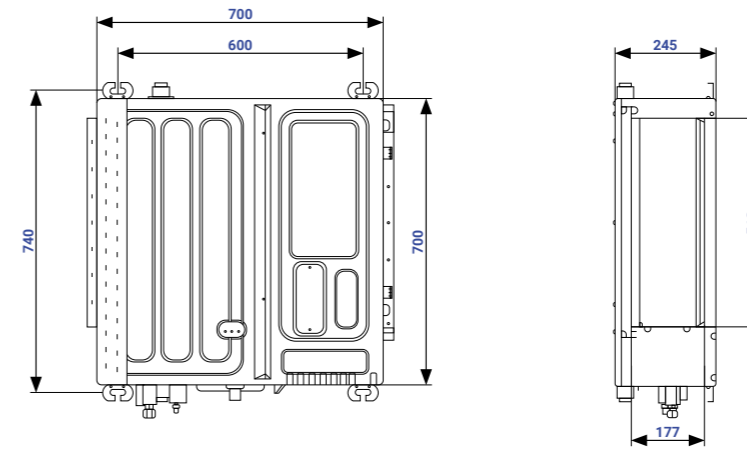
AUX-M-D12/I



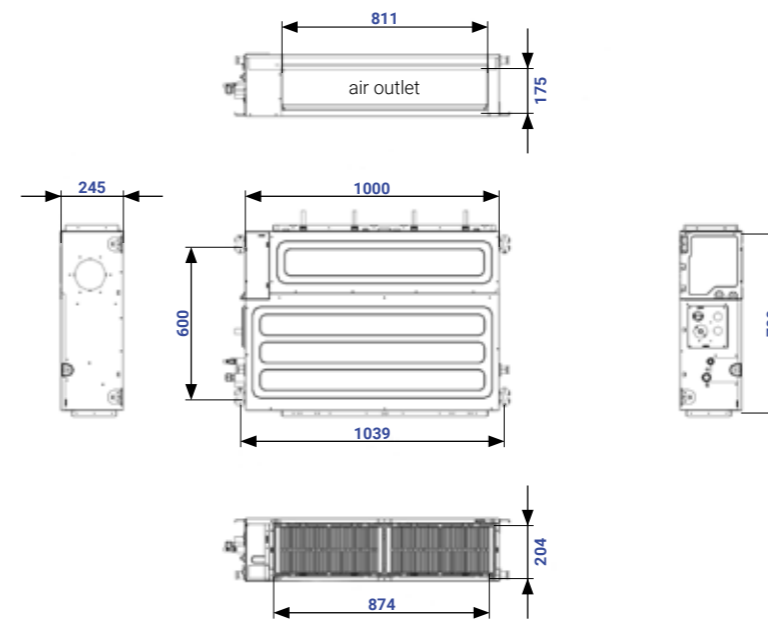
MULTI Indoor units

Ducted units

AUX-M-D18/I



AUX-M-D24/I

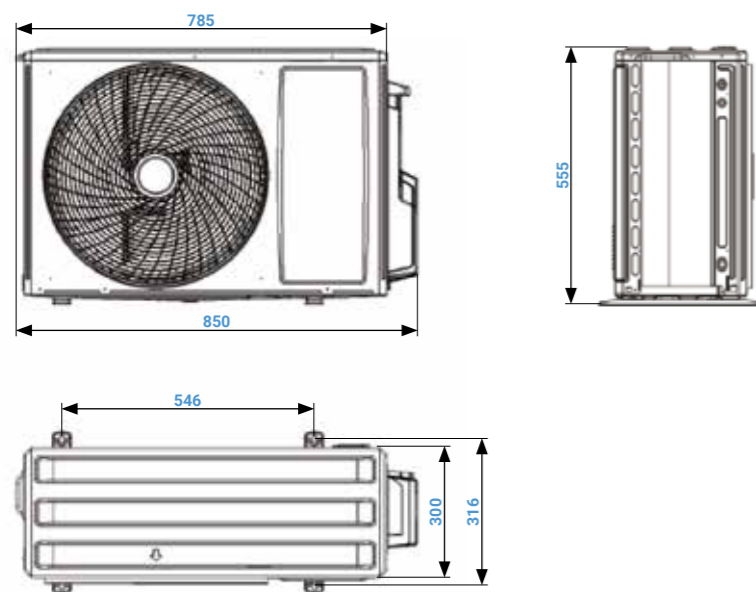


Dimensional drawings

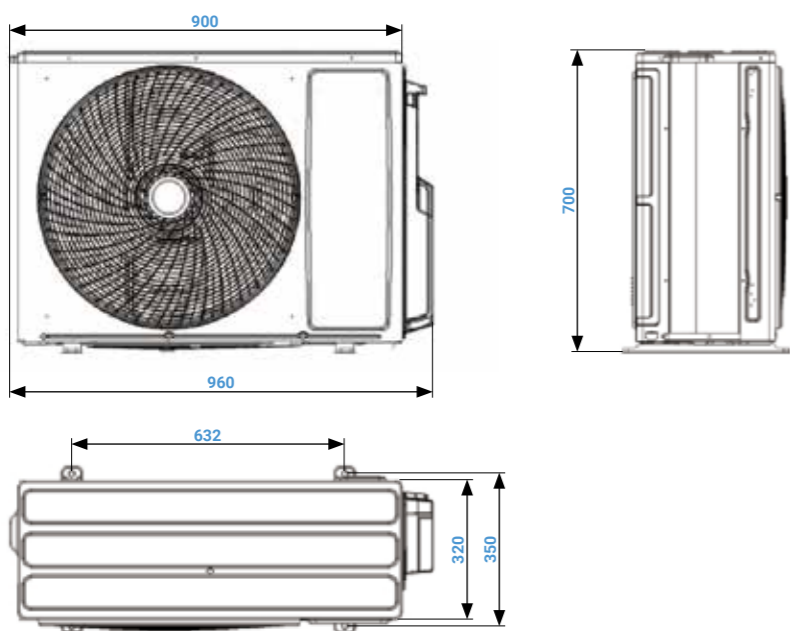
MULTI Outdoor units

Outdoor units

AUX-M2-14LCLH AUX-M2-18LCLH



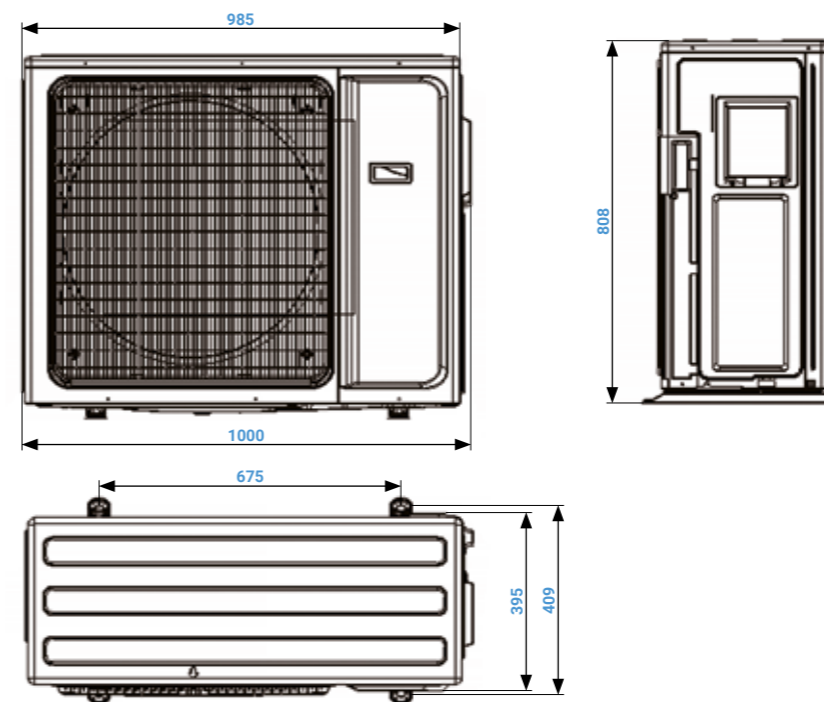
AUX-M3-21LCLH AUX-M3-27LCLH



MULTI Outdoor units

Outdoor units

AUX-M4-28LCLH AUX-M4-36LCLH AUX-M5-42LCLH

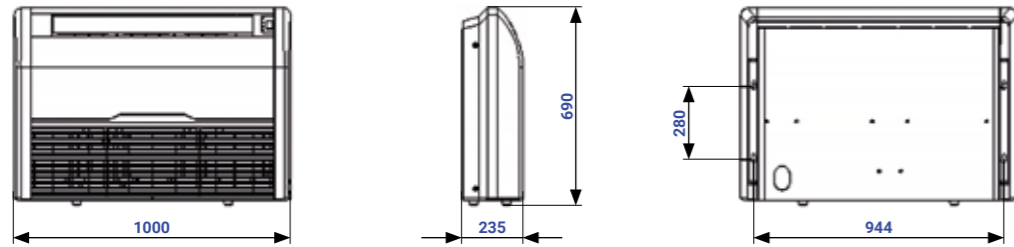


Dimensional drawings

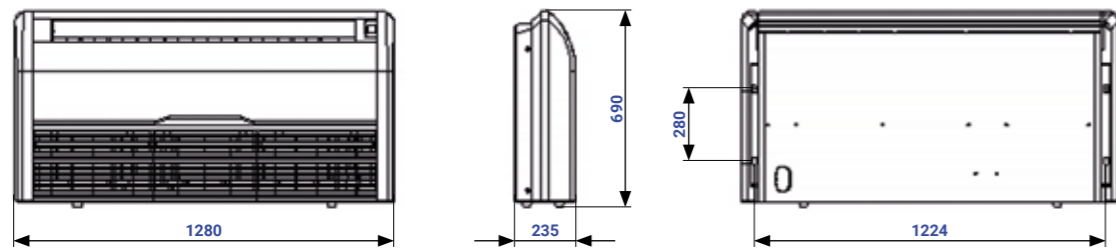
CAC Indoor units

Floor-ceiling units

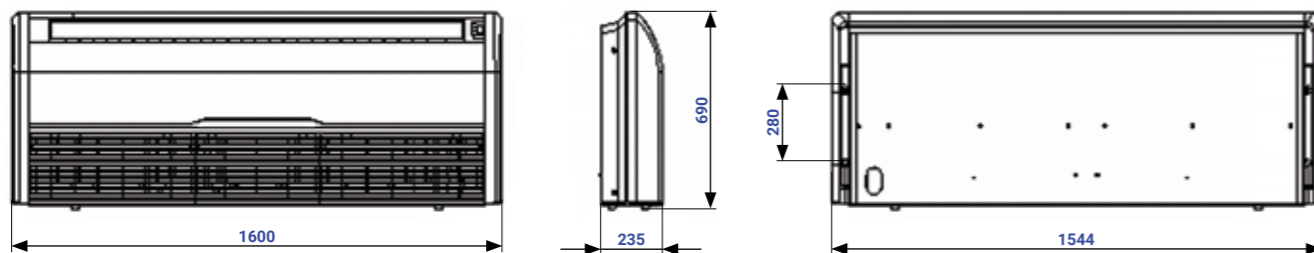
AUX-C-18CAF/I



AUX-C-24CAF/I



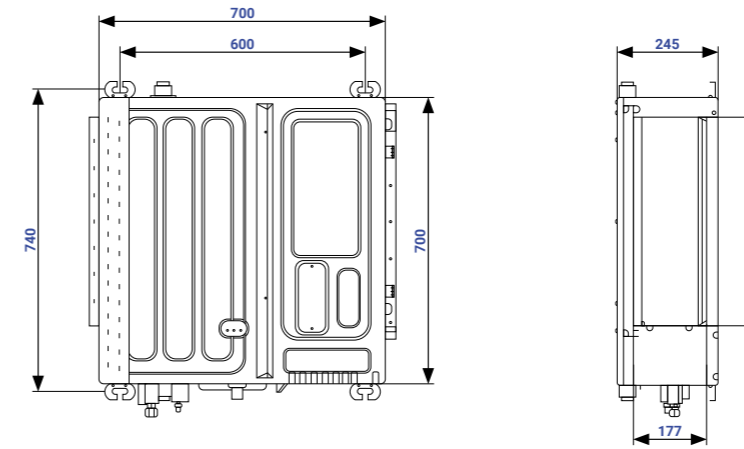
AUX-C-36CAF/I AUX-C-42CAF/I AUX-C-48CAF/I AUX-C-60CAF/I



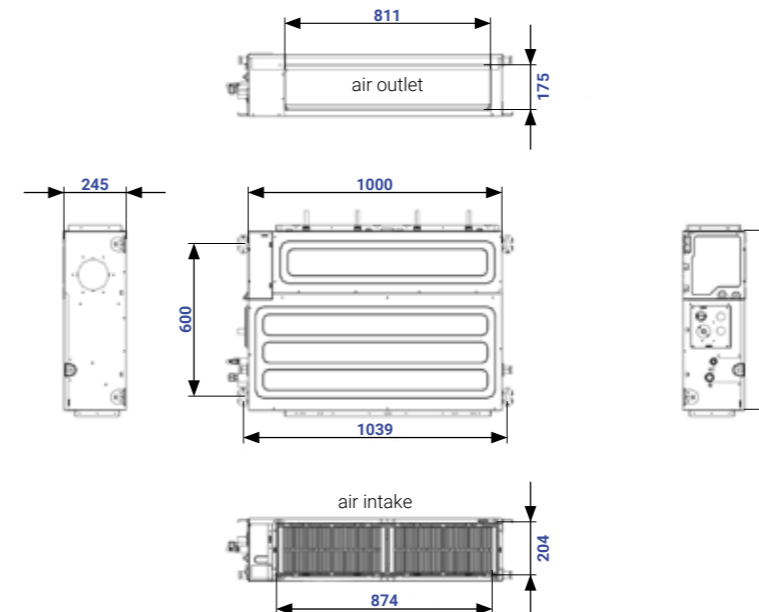
CAC Indoor units

Ducted units

AUX-C-12CAD/I AUX-C-18CAD/I



AUX-C-24CAD/I AUX-C-30CAD/I

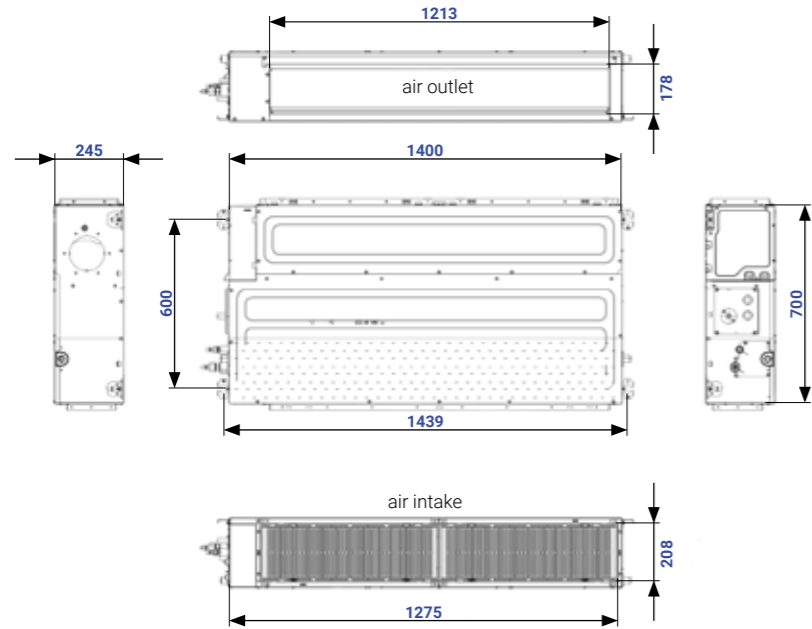


Dimensional drawings

CAC Indoor units

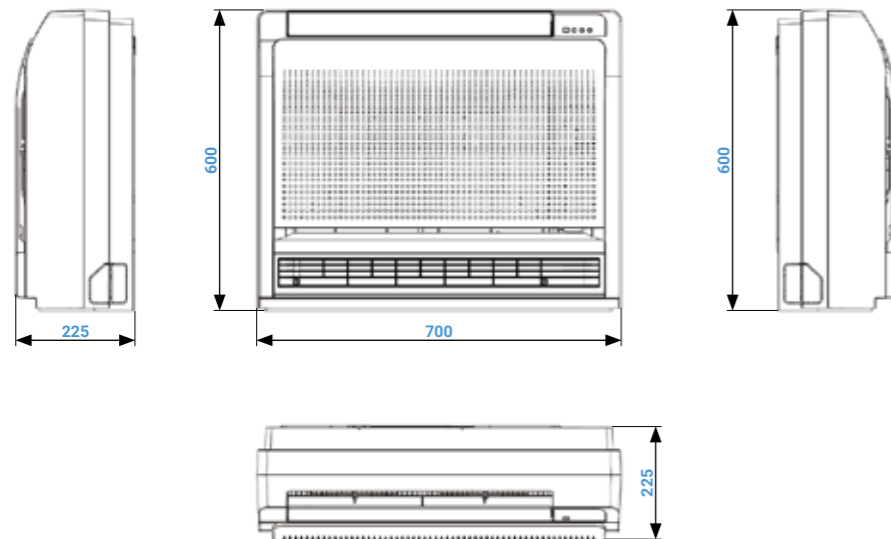
Ducted units

AUX-C-36CAD/I AUX-C-42CAD/I AUX-C-48CAD/I AUX-C-60CAD/I



Console units

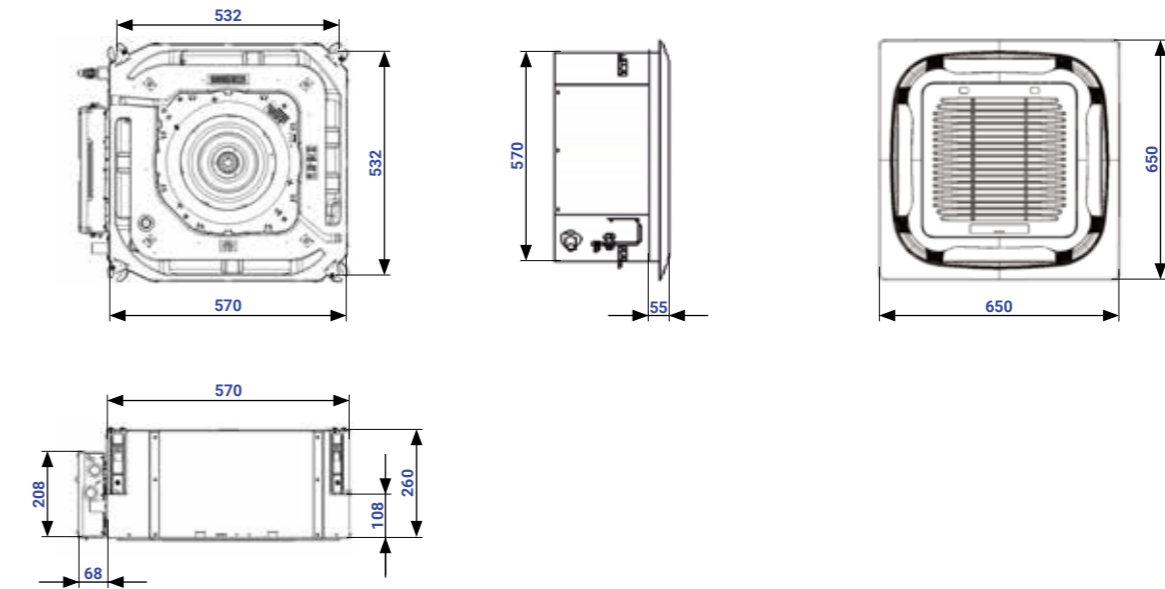
AUX-K-12/16/I



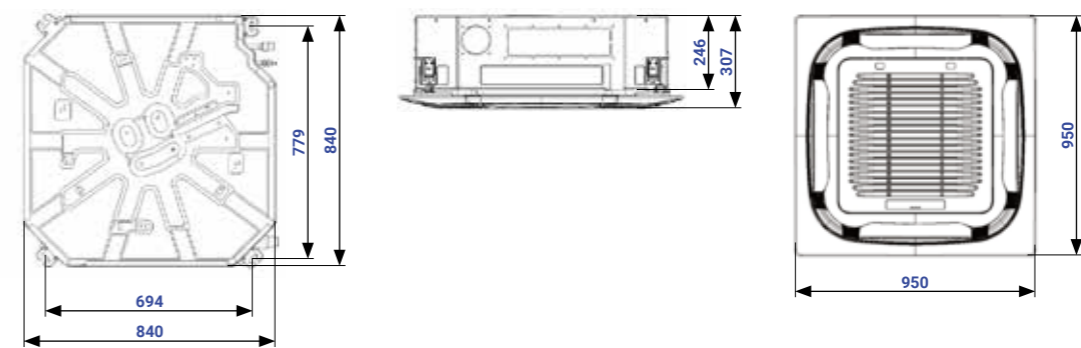
CAC Indoor units

Cassette units

AUX-C-12CAC/I AUX-18CAC/I



AUX-C-24CAC/I

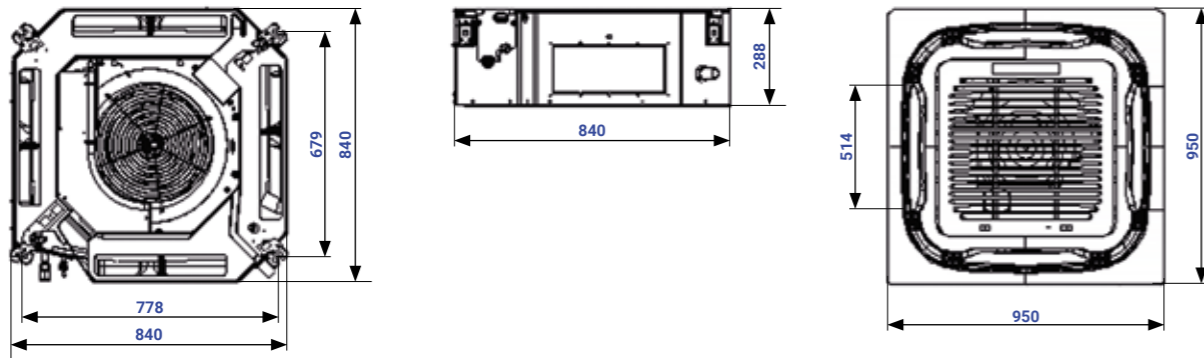


Dimensional drawings

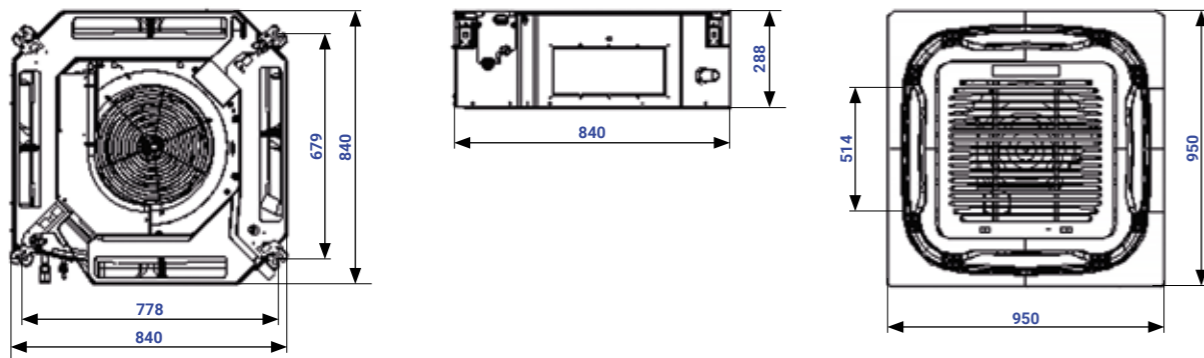
CAC Indoor units

Cassette units

AUX-C-36CAC/I AUX-42CAC/I



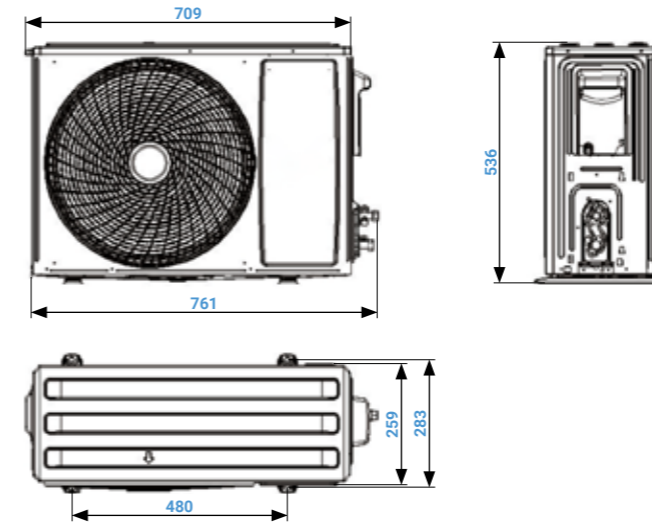
AUX-C-48CAC/I AUX-60CAC/I



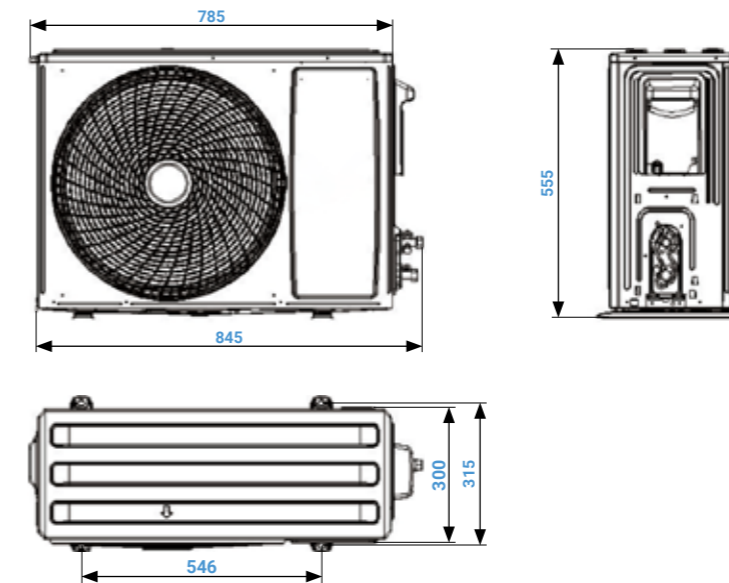
CAC Outdoor units

Outdoor units

AUX-C-12CAO



AUX-C-18CAO

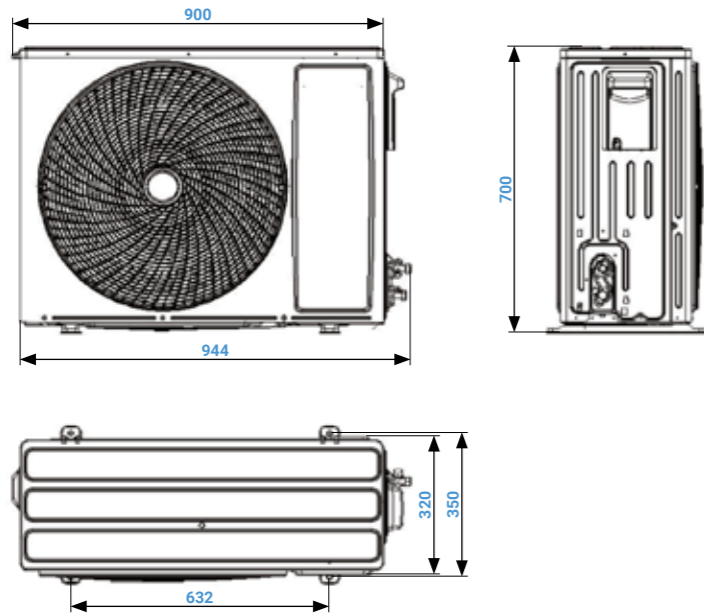


Dimensional drawings

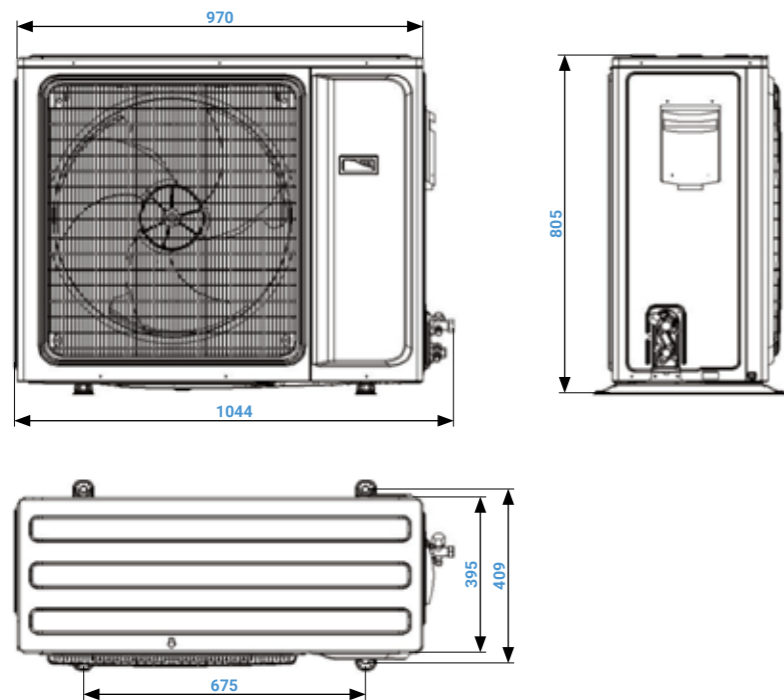
CAC Outdoor units

Outdoor units

AUX-C-24CAO AUX-C-30CAO



AUX-C-36CAO AUX-C-42CAO

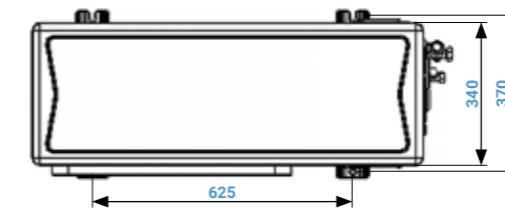
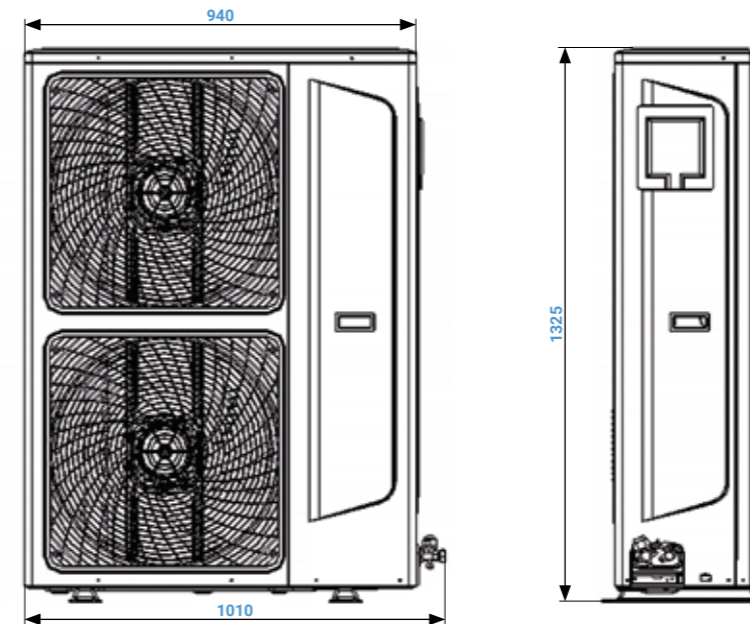


We reserve the right to errors in descriptions, appearance, functions, technical parameters, and dimensional drawings resulting from the continuous improvement of our devices.

CAC Outdoor units

Outdoor units

AUX-C-48CAO AUX-C-60CAO



We reserve the right to errors in descriptions, appearance, functions, technical parameters, and dimensional drawings resulting from the continuous improvement of our devices.

AUX

AIR CONDITIONER



Air conditioning units contain fluorinated greenhouse gases R32. Technical data, appearance, and functions may change without prior notice.

WIENKRA

Exclusive distributor of the AUX brand in Poland

www.wienkra.pl

Cracow:

📍 Kotlarska 34a street, Cracow
📍 Rzemieślnicza 20g street, Cracow
✉️ wienkra@wienkra.pl

Warsaw - Janki:

📍 Sokołowska 15 street, Janki
✉️ wienkra-waw@wienkra.pl

Wroclaw:

📍 Armii Krajowej 61 avenue, Wroclaw
✉️ wienkra-wro@wienkra.pl